

SABAI

Designing the Difference

THE MILESTONE TABLE

Welcome to Sabai

Sabai is designing the difference.

We've minimized your furniture's impact on the environment, from the materials, to the manufacturing process, to programs to extend its life cycle.

Our products are 100% vegan and are made from a combination of recycled, upcycled, and biodegradable materials.

We utilize mechanical fasteners (rather than glue) to ensure that our materials remain recyclable and that we are keeping our manufacturing team safe.

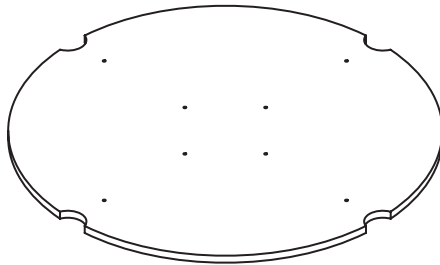
To make sure our furniture stays out of landfills, we've launched two programs under our Sabai Standard: The Repair Don't Replace and Sabai Revive resale programs.

After a simple assembly, you can rest easy with Sabai.

This guide makes assembly a cinch. If you still have questions, you can reach our customer service team at customer@sabai.design and we'll respond within 24 hours.

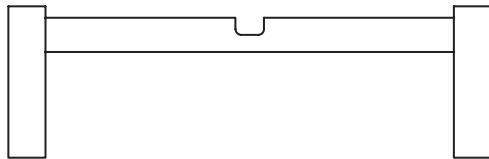
Components

TABLE TOP X 1

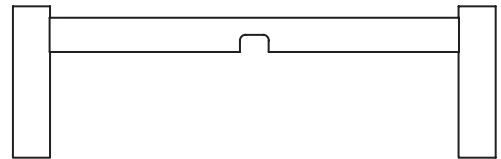


Note: Table tops come in four shapes - Circle, Square, Rectangle, and Oval. Assembly instructions for all shapes is the same.

LEGS X 2

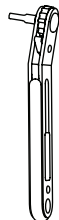


U-UP



U-DOWN

RATCHET WRENCH X 1



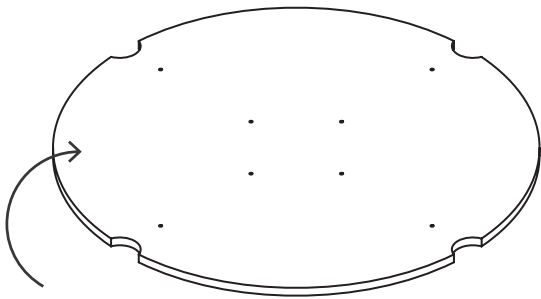
BOLTS X 8



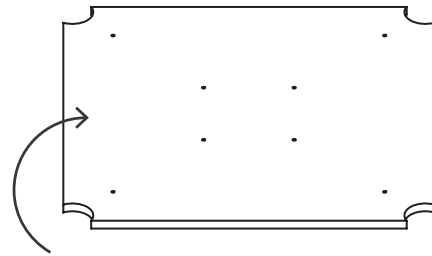
Note: The listed bolt quantity reflects how many bolts are needed for assembly, but you have been provided with extra bolts just in case they're needed.

1 Flip Table Top Over

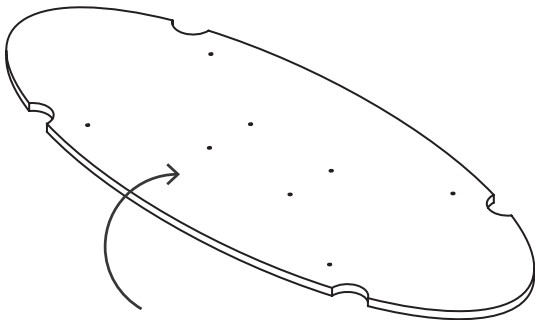
A Flip over the Table Top onto a protected surface so the underside of the top is facing upwards.



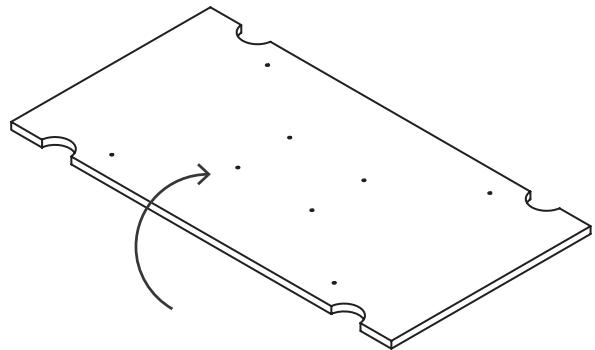
CIRCLE TOP



SQUARE TOP



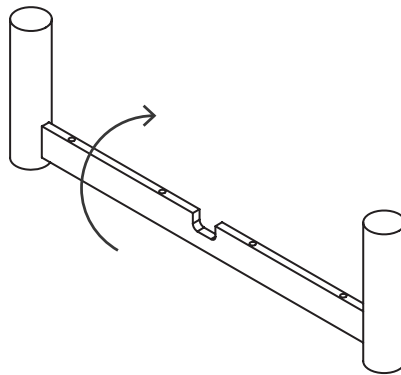
OVAL TOP



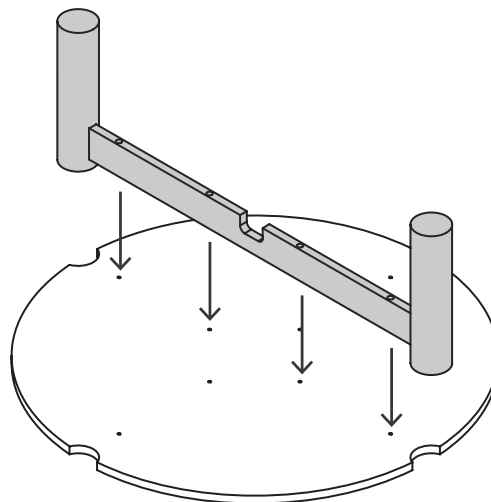
RECTANGLE TOP

2 Attach the Legs

- A** Flip the "U-Down" Leg over so the longer part of the legs are facing up.

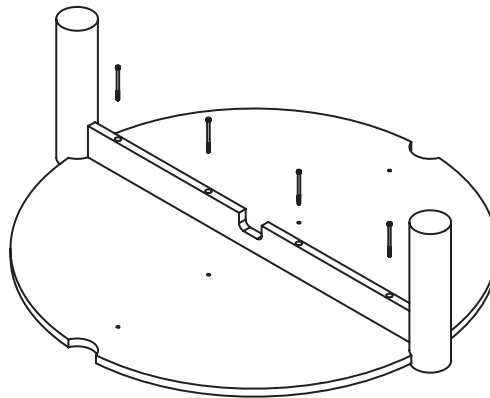


- B** Align the holes in the Leg's center bar to the threaded insert holes in the Table Top. Be sure the round legs are registered in their corresponding cutouts in the Table Top's corners.



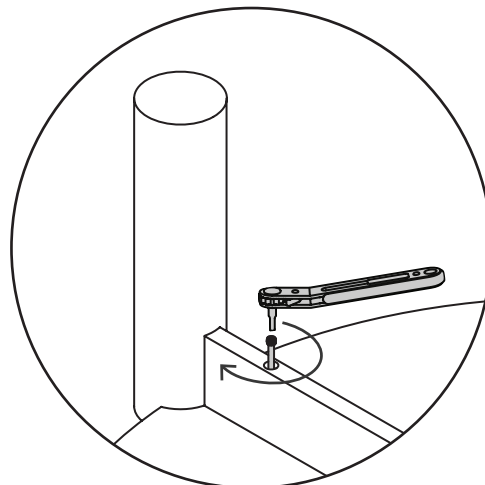
2 Attach the Legs

- C** Place 4 Bolts into the holes in the Leg, loosely tighten the bolts with your fingers.



Note: If bolts are too tight in the holes before loosely tightening all the bolts on the Leg, you may encounter misalignment.

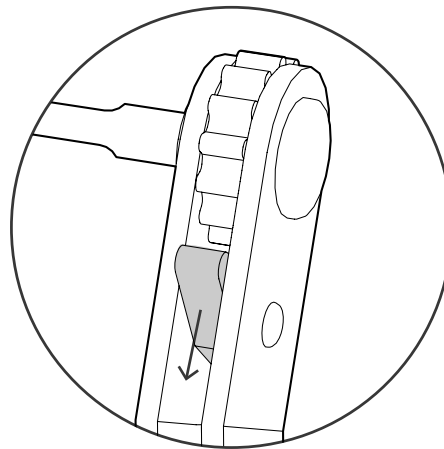
- D** Once all Bolts have been aligned and loosely tightened, take the Ratchet Wrench and tighten securely.



2 Attach the Legs

D The Ratchet Wrench allows you to tighten the Bolt without having to remove the wrench from the bolt each time you have reached the limit of how far it can go in that direction. Instead, you can simply go back in the opposite direction without moving the bolt and continue tightening. The same applies when you are loosening a bolt.

Make sure the switch on the side is flipped down when tightening, and up when loosening.

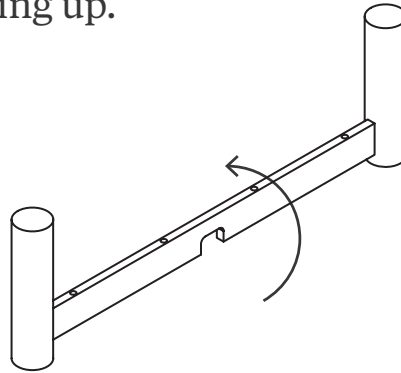


FLIP DOWN = TIGHTEN

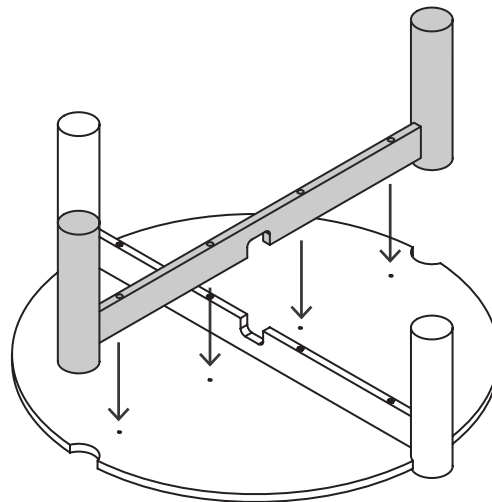
FLIP UP = LOOSEN

2 Attach the Legs

- E** Flip the "U-Up" Leg over so the longer part of the legs are facing up.

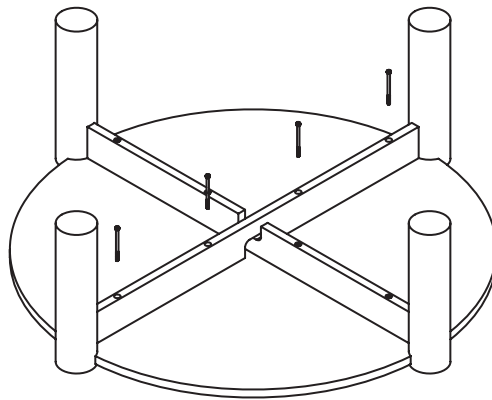


- F** Align the holes in the Leg's center bar to the threaded insert holes in the Table Top. Be sure the round legs are registered in their corresponding cutouts in the Table Top's corners.



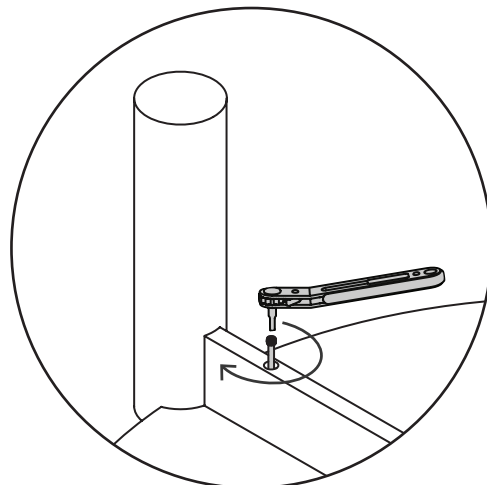
2 Attach the Legs

- G** Place 4 Bolts into the holes in the Leg, loosely tighten the bolts with your fingers.



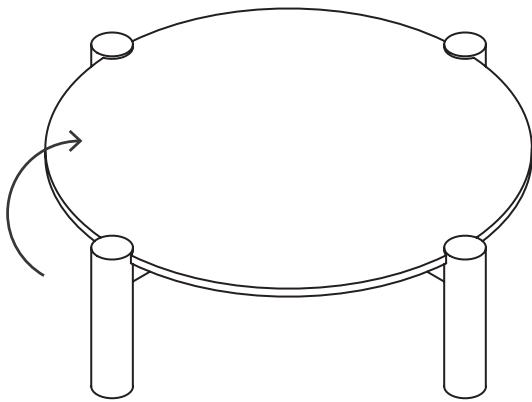
Note: If bolts are too tight in the holes before loosely tightening all the bolts on the Leg, you may encounter misalignment.

- H** Once all Bolts have been aligned and loosely tightened, take the Ratchet Wrench and tighten securely.

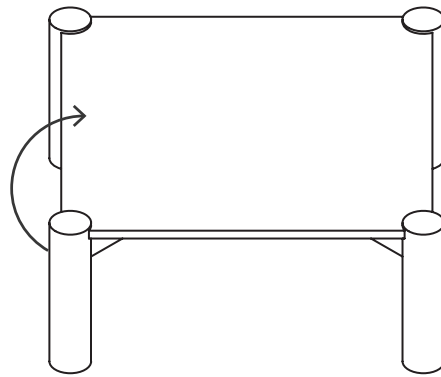


3 Flip Table Over

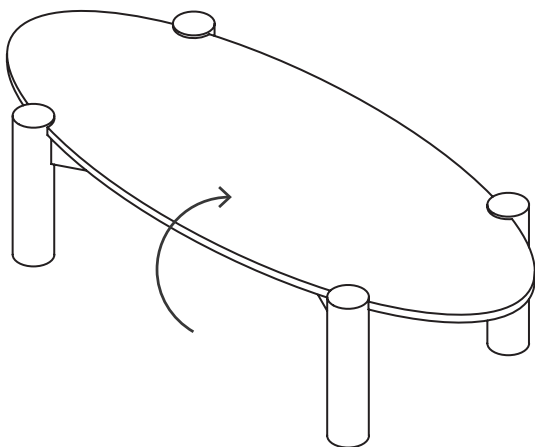
A After securing the Legs to the Table Top, flip the Milestone Table over.



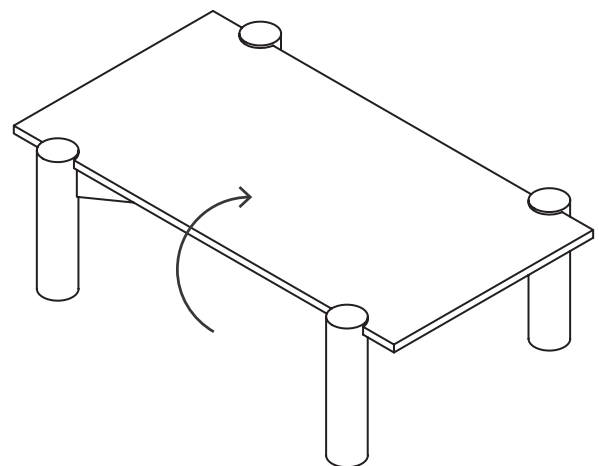
CIRCLE TABLE



SQUARE TABLE



OVAL TABLE



RECTANGLE TABLE

SABAI.DESIGN