

SABAI

Designing the Difference

THE EVERGREEN OTTOMAN

Welcome to Sabai

Sabai is designing the difference.

We've minimized your furniture's impact on the environment, from the materials, to the manufacturing process, to programs to extend its life cycle.

Our products are 100% vegan and are made from a combination of recycled, upcycled, and biodegradable materials.

We utilize mechanical fasteners (rather than glue) to ensure that our materials remain recyclable and that we are keeping our manufacturing team safe.

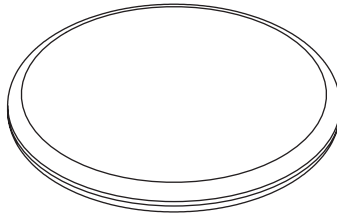
To make sure our furniture stays out of landfills, we've launched two programs under our Sabai Standard: The Repair Don't Replace and Sabai Revive resale programs.

After a simple assembly, you can rest easy with Sabai.

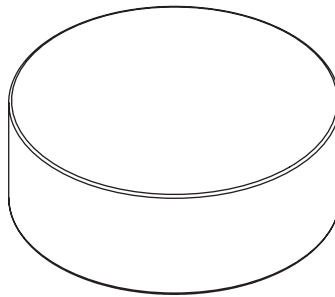
This guide makes assembly a cinch. If you still have questions, you can reach our customer service team at customer@sabai.design and we'll respond within 24 hours.

Components

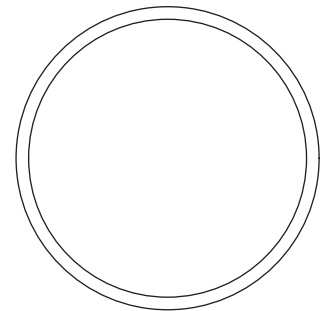
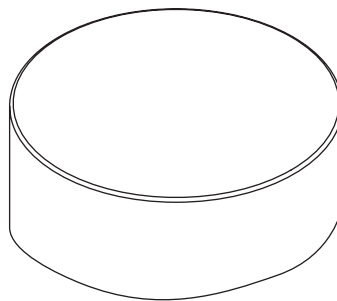
OTTOMAN CUSHION
X QTY



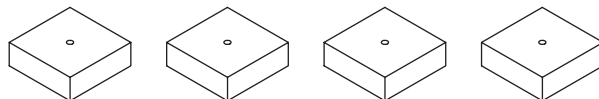
OTTOMAN BASE
X QTY



SLIPCOVERS
X 1 OTTOMAN BASE COVER
X 1 OTTOMAN CUSHION COVER

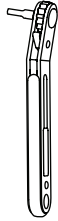


LEGS
X 4



Components

RATCHET WRENCH



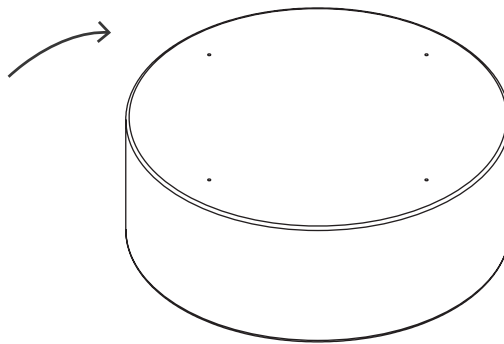
BOLTS X 4



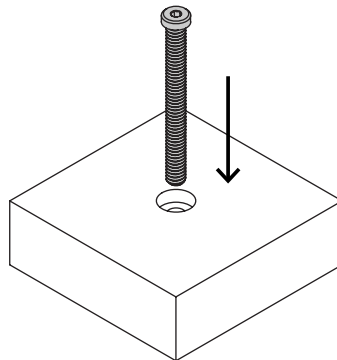
Note: The listed bolt quantity reflects how many bolts are needed for assembly, but you have been provided with extra bolts just in case they're needed.

1 Attach Legs

A Flip Ottoman Base over.

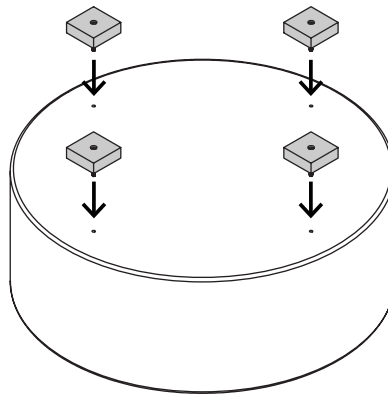


B Insert Bolts through the hole in each Leg. The head of the Bolt will sit within the with the larger drilled hole on the foot once tightened.



1 Attach Legs

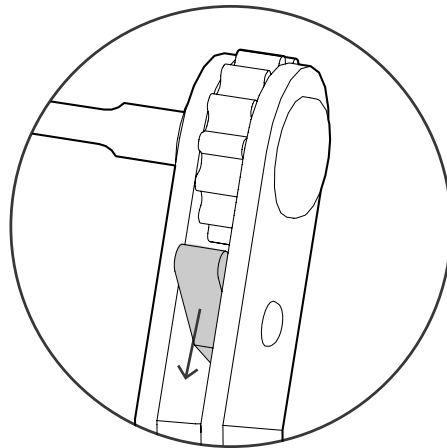
- C** Align the Legs to the holes on the bottom of the Ottoman Base. Screw the Bolts in loosely with your fingers.



1 Attach Legs

D Tighten both Bolts firmly in place using the Ratchet Wrench. The Ratchet Wrench allows you to tighten the Bolt without having to remove the wrench from the bolt each time you have reached the limit of how far it can go in that direction. Instead, you can simply go back in the opposite direction without moving the bolt and continue tightening. The same applies when you are loosening a bolt.

Make sure the switch on the side is flipped down when tightening, and up when loosening.

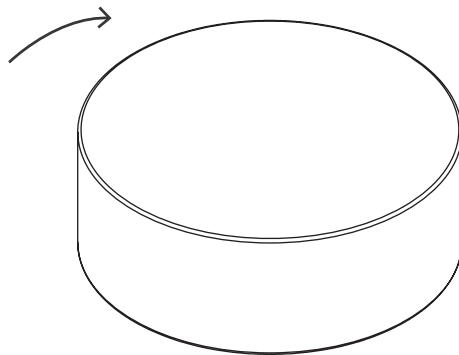


FLIP DOWN = TIGHTEN

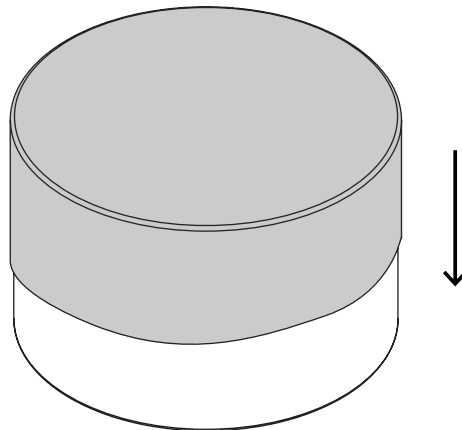
FLIP UP = LOOSEN

2 Add Slipcover

A Flip the Ottoman Base right side up.

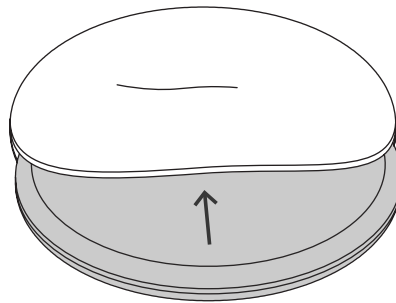


B Take the Ottoman Base Slipcover and pull it gently over the frame.

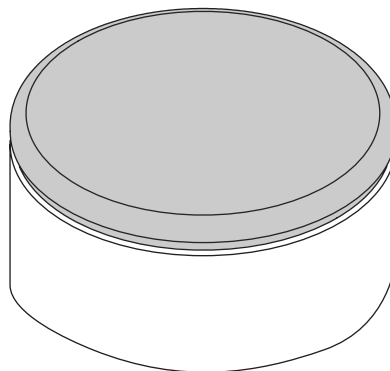


3 Stuff & Add Cushion

- A** Stuff the Ottoman Cushion into the Ottoman Cushion Slipcover.



-
- B** Place the Cushion on top of the Ottoman Base.



SABAI.DESIGN