

SABAI

Designing the Difference

THE EVERGREEN CHAIR

Welcome to Sabai

Sabai is designing the difference.

We've minimized your furniture's impact on the environment, from the materials, to the manufacturing process, to programs to extend its life cycle.

Our products are 100% vegan and are made from a combination of recycled, upcycled, and biodegradable materials.

We utilize mechanical fasteners (rather than glue) to ensure that our materials remain recyclable and that we are keeping our manufacturing team safe.

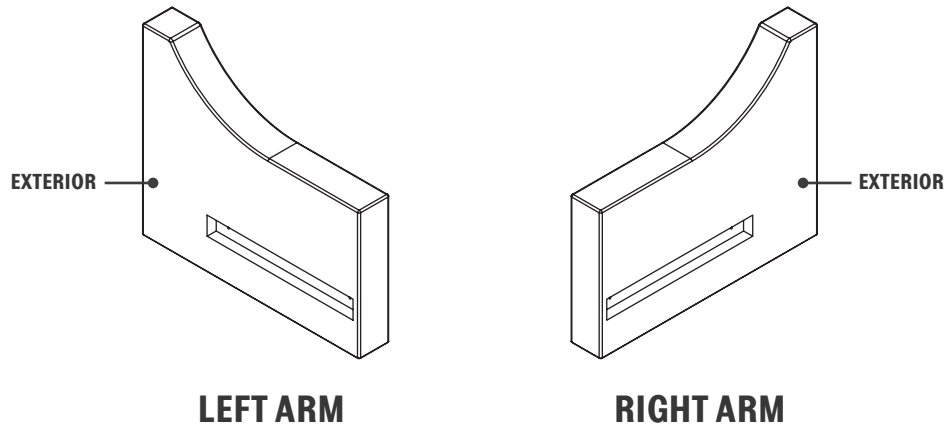
To make sure our furniture stays out of landfills, we've launched two programs under our Sabai Standard: The Repair Don't Replace and Sabai Revive resale programs.

After a simple assembly, you can rest easy with Sabai.

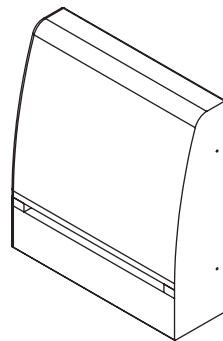
This guide makes assembly a cinch. If you still have questions, you can reach our customer service team at customer@sabai.design and we'll respond within 24 hours.

Components

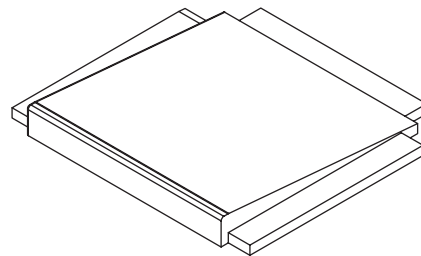
ARMS X 2



BACK

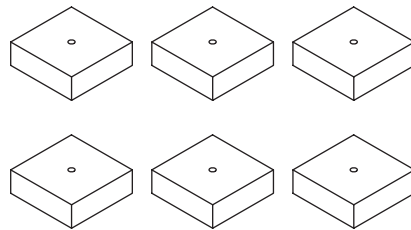


SEAT PLATFORM

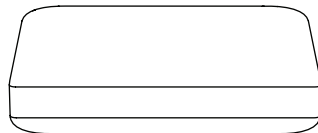


Components

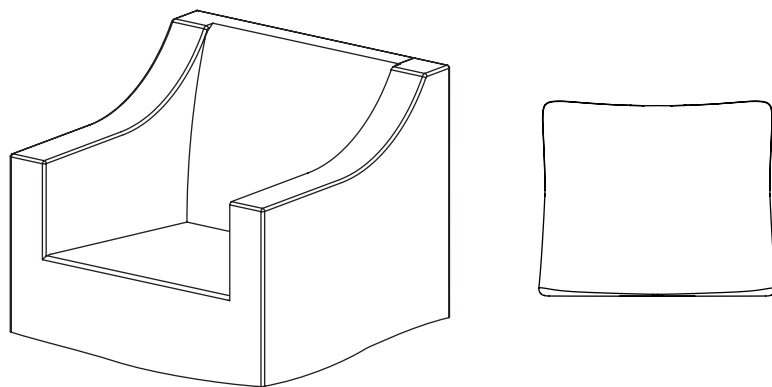
LEGS
X 6



CUSHION



SLIPCOVER
X 1 CHAIR COVER
X 1 CUSHION COVER

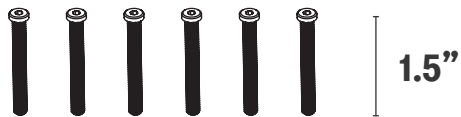


Components

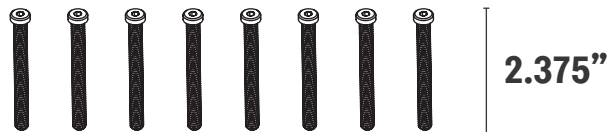
RATCHET WRENCH



SEAT BOLTS X 6



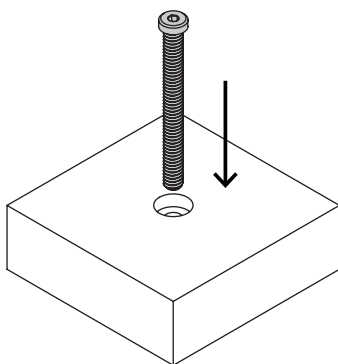
BOLTS X 8



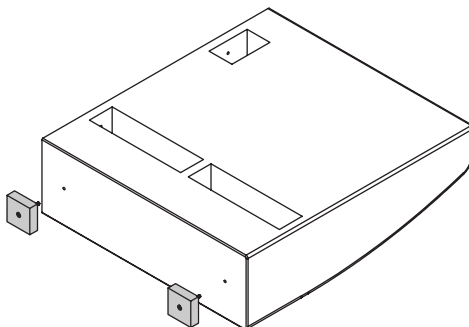
Note: The listed bolt quantity reflects how many bolts are needed for assembly, but you have been provided with extra bolts just in case they're needed.

1 Attach Legs to Back

- A** Insert Bolts (2.375") through the hole in the Legs. The head of the Bolt will sit within the with the larger drilled hole once tightened.



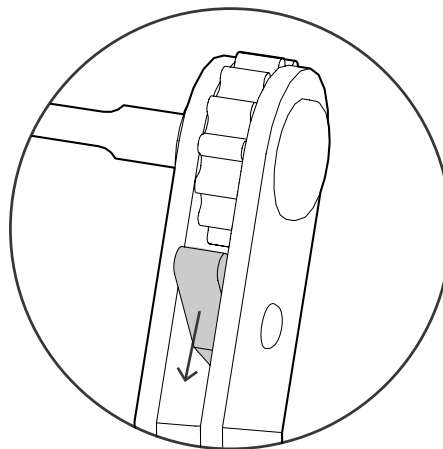
- B** Lay the Back piece on its back and align two Legs to the holes on the bottom. Screw the Bolts in loosely with your fingers.



1 Attach Legs to Back

- C** Tighten both Bolts firmly in place using the Ratchet Wrench. The Ratchet Wrench allows you to tighten the Bolt without having to remove the wrench from the bolt each time you have reached the limit of how far it can go in that direction. Instead, you can simply go back in the opposite direction without moving the bolt and continue tightening. The same applies when you are loosening a bolt.

Make sure the switch on the side is flipped down when tightening, and up when loosening.

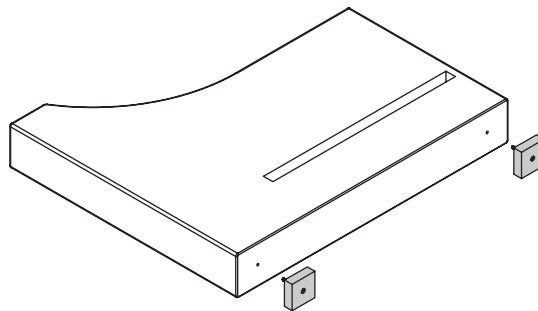
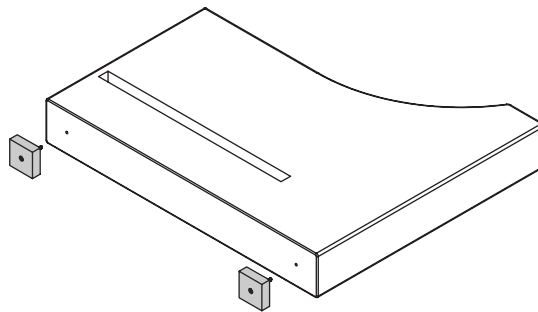


FLIP DOWN = TIGHTEN

FLIP UP = LOOSEN

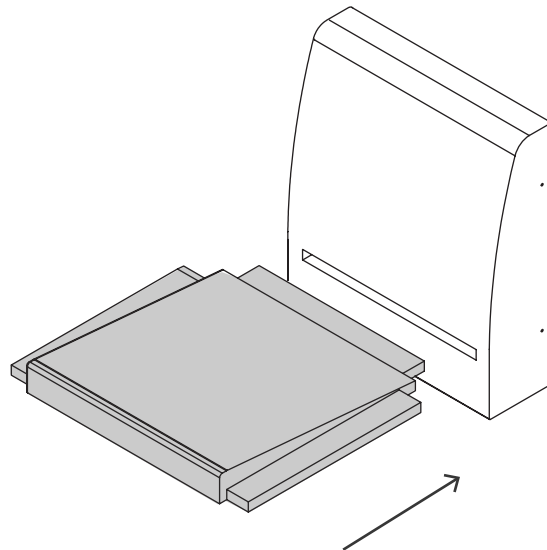
2 Attach Legs to Arms

- A** Lay the two Arm pieces on their sides and align the Legs to the holes on the bottom. Use the Ratchet Wrench to tighten the bolts firmly in place.



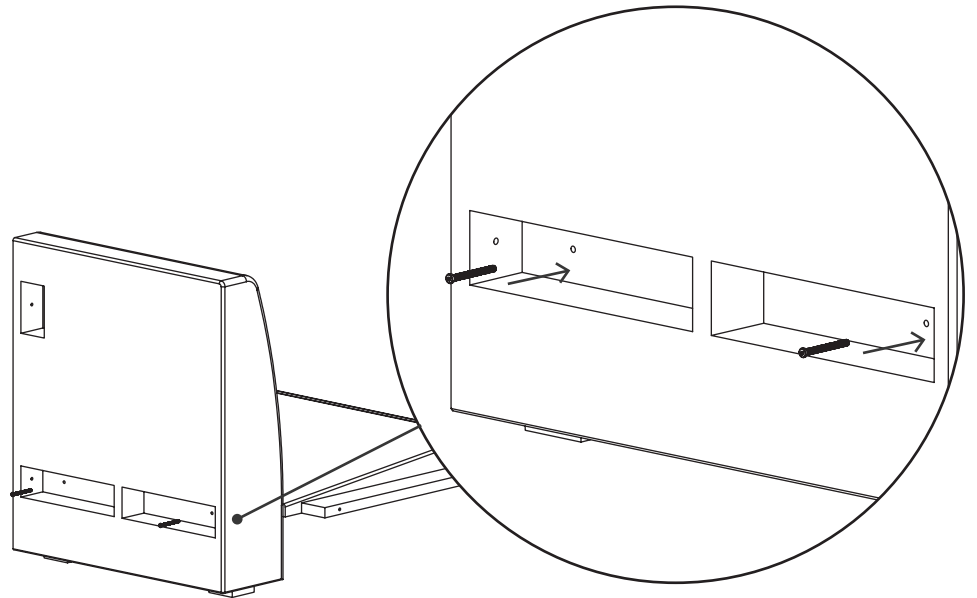
3 Connect Seat to Back

- A** Align the Seat Platform with the cavity on the front of the Back piece.



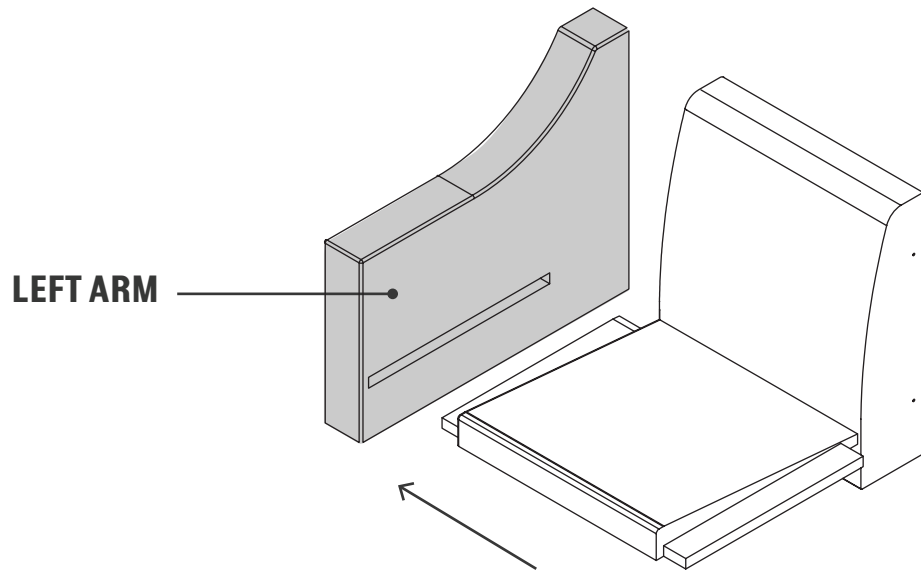
3 Connect Seat to Back

- B** Move to the back side of the Back and locate the lower cavity. Take two Seat Bolts (1.5") and align them with the holes in the Seat Platform through this cavity, connecting the Seat Platform to the Back. Use the Ratchet Wrench to tighten the bolts in place.

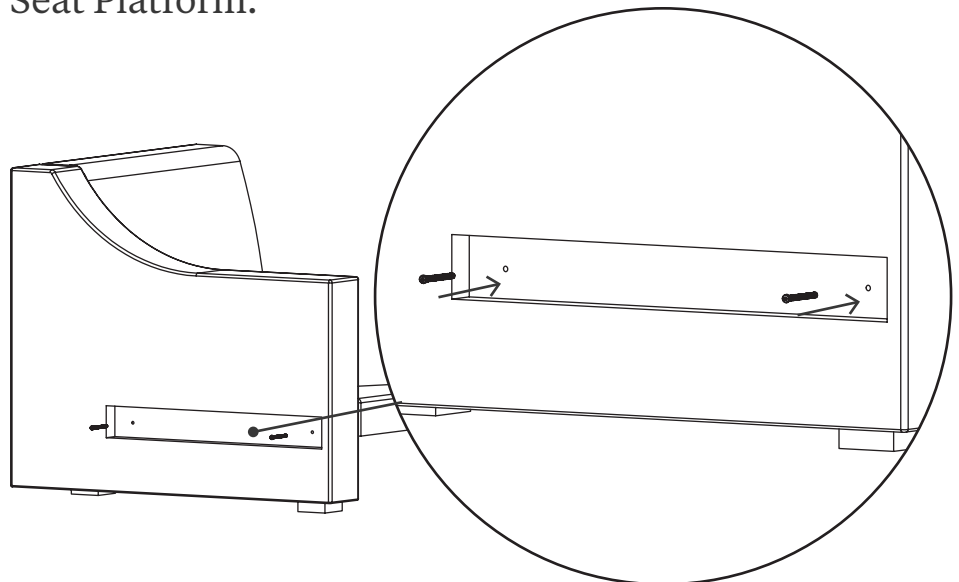


4 Attach Left Arm

- A** Locate the Left Arm. Align inner cavity of the Left Arm with the Left Seat Platform.

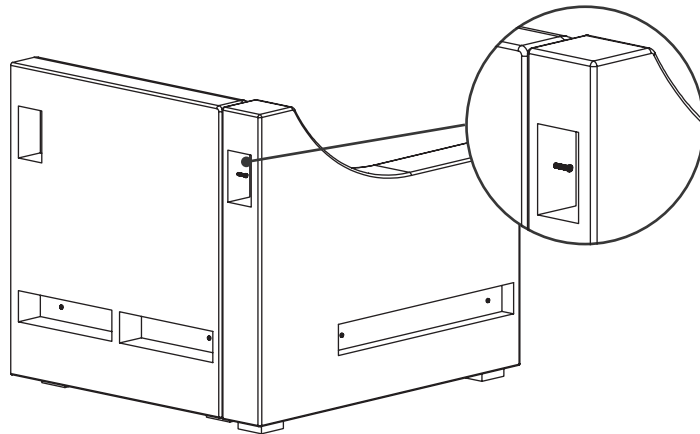


- B** Using two Seat Bolts, secure the Left Arm to the Left Seat Platform.



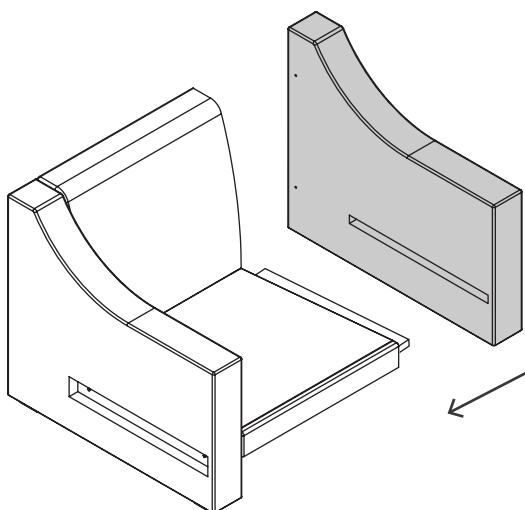
4 Attach Left Arm

- C** Locate the cavity on the back of the Left Arm and insert one Bolt (2.375"), aligning with the hole in the Back. Use the Ratchet Wrench to tighten the bolt in place.

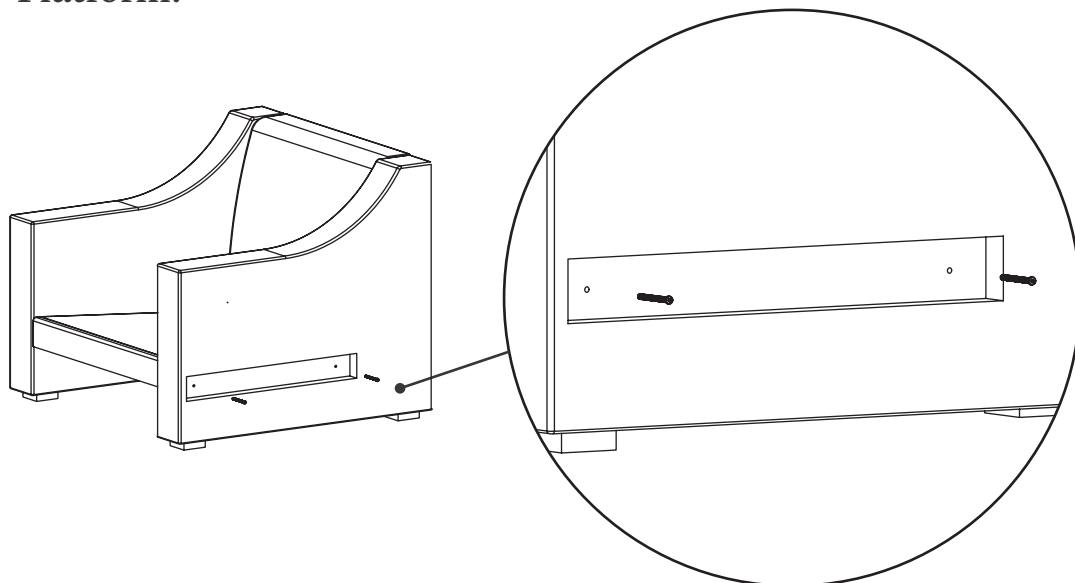


5 Attach Right Arm

- A** Locate the Right Arm. Align inner cavity of the Right Arm with the Seat Platform.

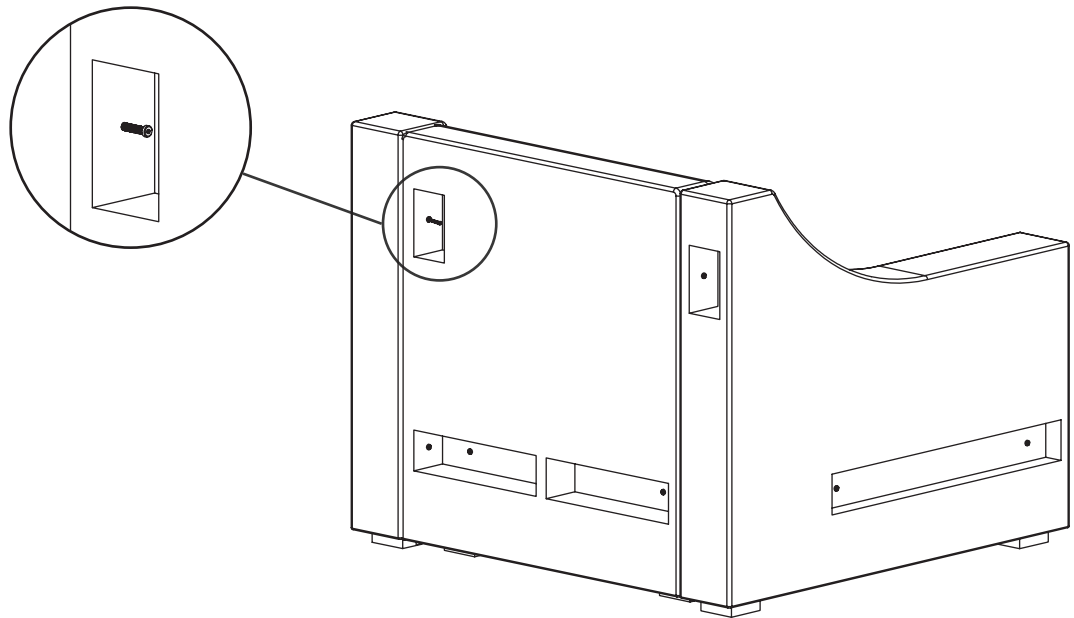


- B** Using two Seat Bolts, secure the Right Arm to the Seat Platform.



5 Attach Right Arm

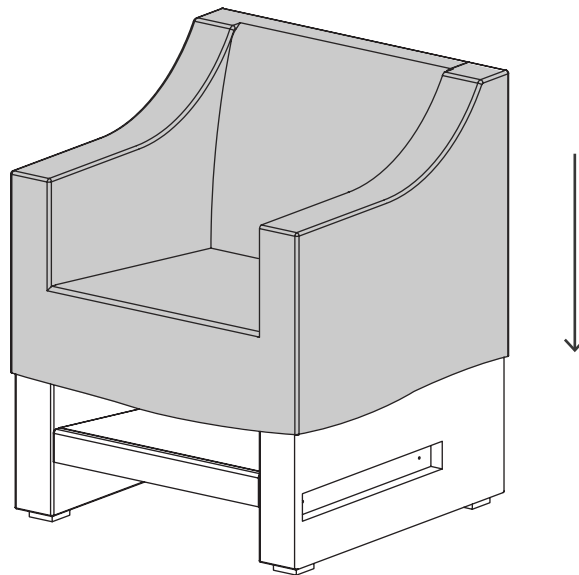
- C** Locate the upper cavity on the back of the Back. Insert one Bolts (2.375"), aligning with the hole in the Right Arm. Use the Ratchet Wrench to tighten bolt in place.



6 Add Slipcover

A Unfold the Slipcover and locate the two arms. With the slope of the arms facing forward, drape the cover over the Chair.

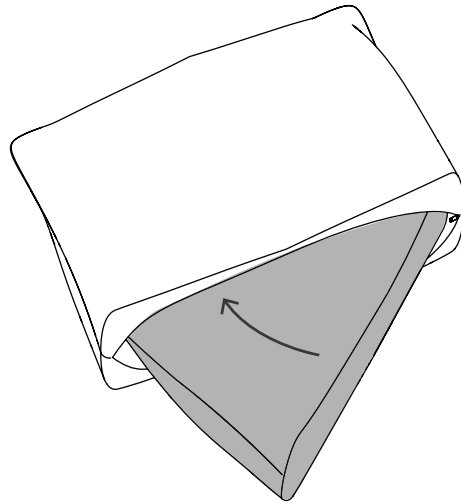
Work your way around the Chair pulling each corner down to hug the Chair frame.



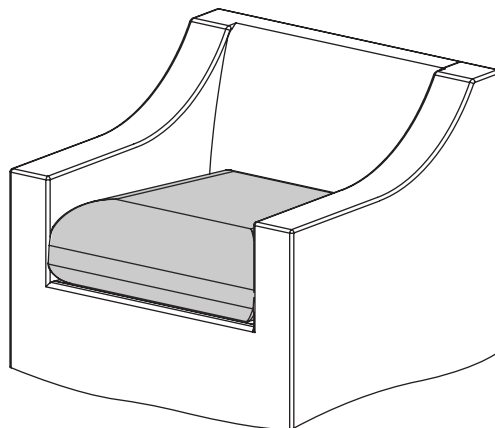
7

Stuff & Add Cushion

A Stuff the Seat Cushion into the Cushion Slipcover.



B Place Cushion on the Chair with the zipper facing the back.



SABAI.DESIGN