

SABAI

Designing the Difference

THE ESSENTIAL CORNER SECTIONAL

Welcome to Sabai

Sabai is designing the difference.

We've minimized your furniture's impact on the environment, from the materials, to the manufacturing process, to programs to extend its life cycle.

Our products are 100% vegan and are made from a combination of recycled, upcycled, and biodegradable materials.

We utilize mechanical fasteners (rather than glue) to ensure that our materials remain recyclable and that we are keeping our manufacturing team safe.

To make sure our furniture stays out of landfills, we've launched two programs under our Sabai Standard: The Repair Don't Replace and Sabai Revive resale programs.

After a simple assembly, you can rest easy with Sabai.

This guide makes assembly a cinch. If you still have questions, you can reach our customer service team at customer@sabai.design and we'll respond within 24 hours.

Index

COMPONENTS

Corner Sectional - 5 Seat	04
Corner Sectional - 6 Seat	08
Corner Sectional - 7 Seat	12
Expansion Kits	17

ASSEMBLY

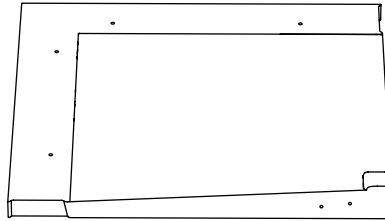
19

NOTE FOR 6 SEAT:

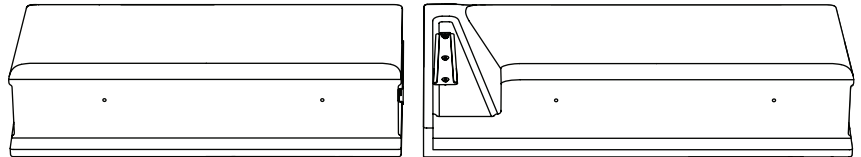
The Sofa and Loveseat are interchangeable and can be positioned on either side of the Corner Unit.

5 Seat Components

CORNER BASE



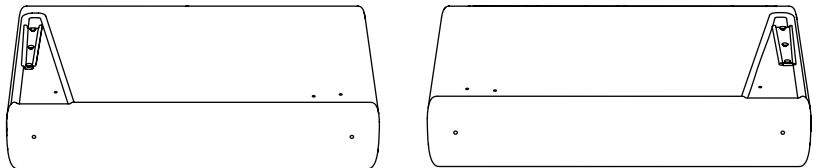
CORNER BACKS X 2



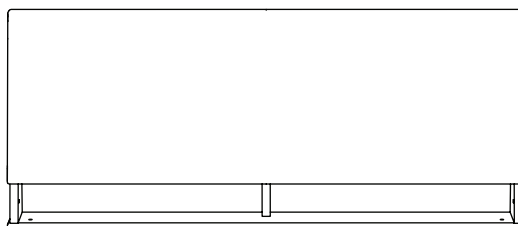
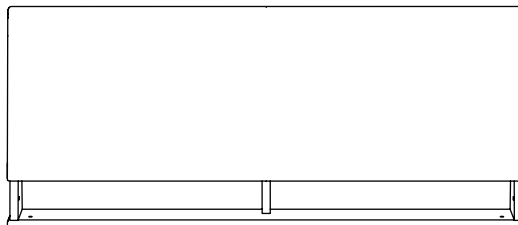
A

B

ARMS X 2



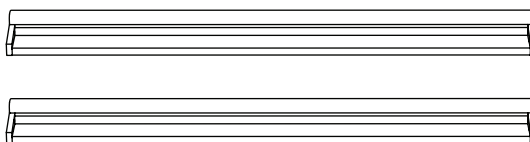
LOVESEAT BACKS X 2



5 Seat Components

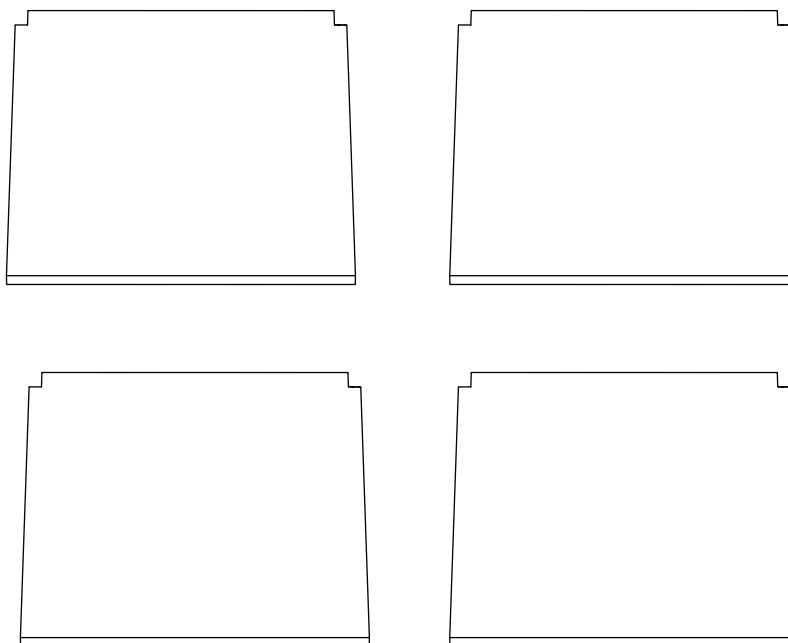
LOVESEAT FRONT RAIL

X 2



SEAT PLATFORMS

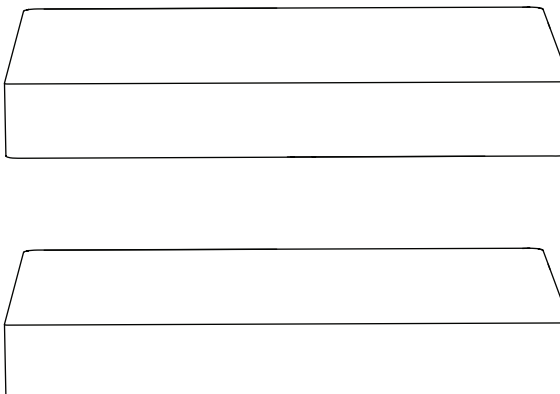
X 4



LOVESEAT CUSHIONS

X 2

***OR 4 INDIVIDUAL
CUSHIONS**

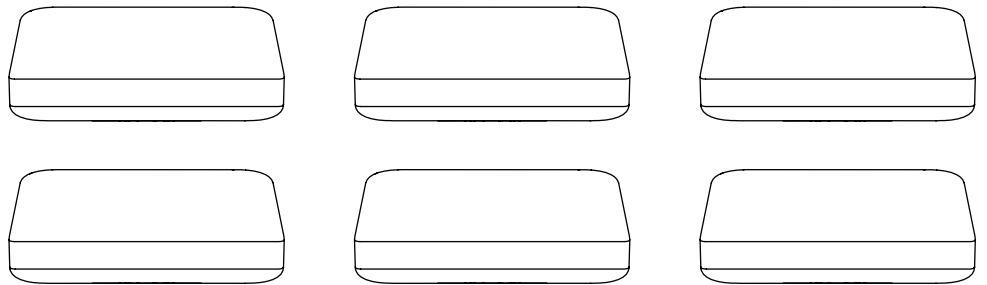


5 Seat Components

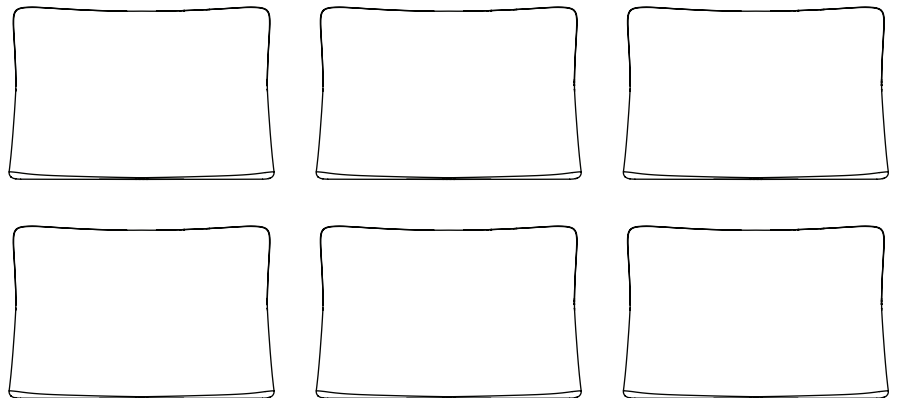
CORNER CUSHION



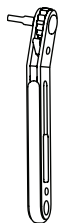
BACK PILLOWS
X 6



BACK PILLOW COVERS
X 6

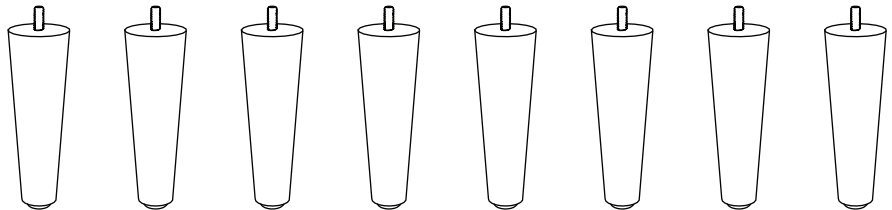


RATCHET WRENCH

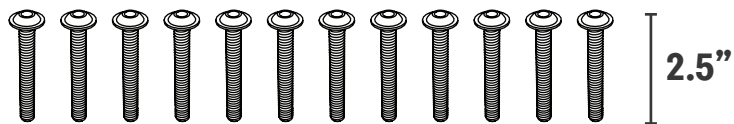


5 Seat Components

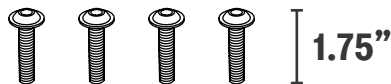
LEGS
X 8



BOLTS
X 12 SOFA BODY BOLTS



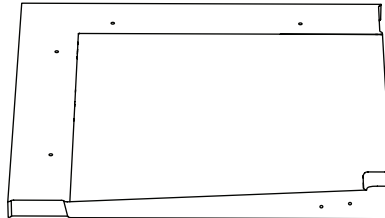
BOLTS
X 4 CORNER UNIT BOLTS



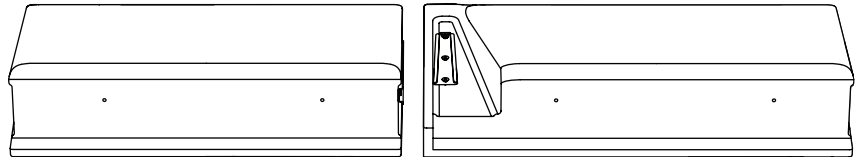
Note: The listed bolt quantity reflects how many bolts are needed for assembly, but you have been provided with extra bolts just in case they're needed.

6 Seat Components

CORNER BASE



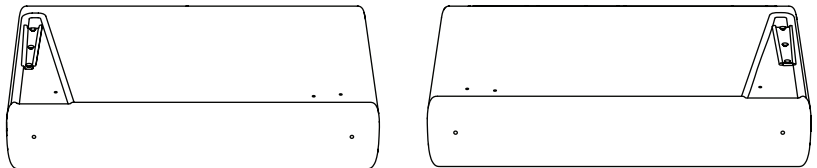
CORNER BACKS X 2



A

B

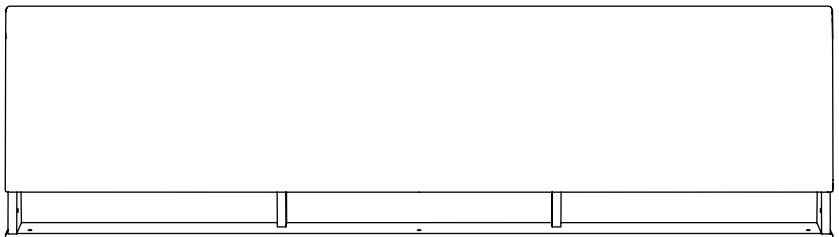
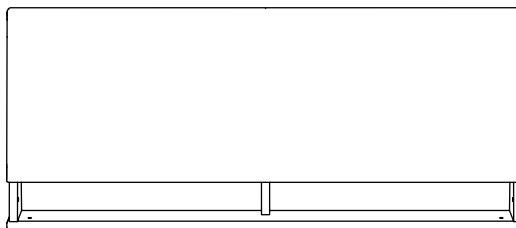
ARMS X 2



BACKS

X 1 LOVESEAT BACK

X 1 SOFA BACK

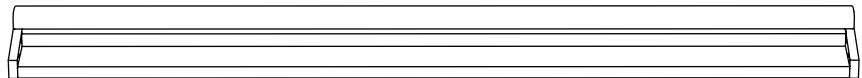
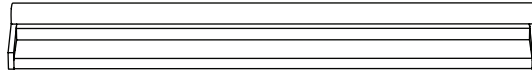


6 Seat Components

FRONT RAIL

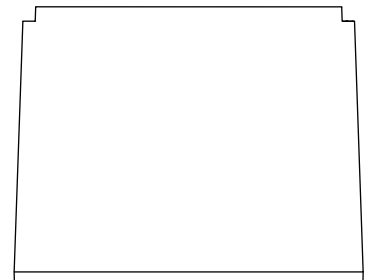
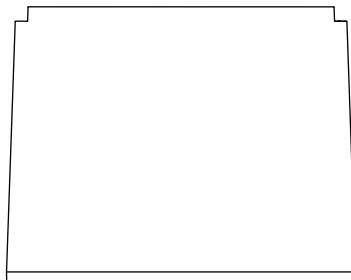
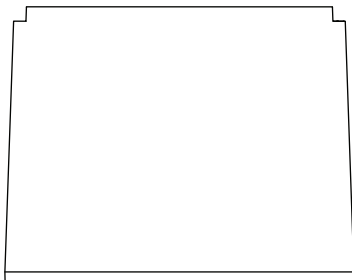
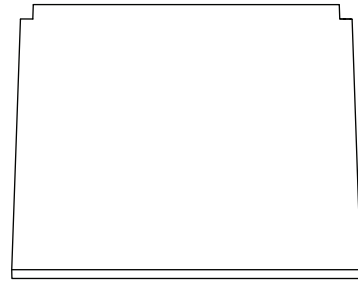
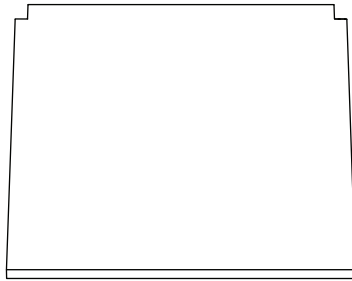
X1 LOVESEAT

X1 SOFA



SEAT PLATFORMS

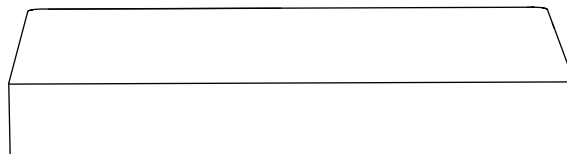
X5



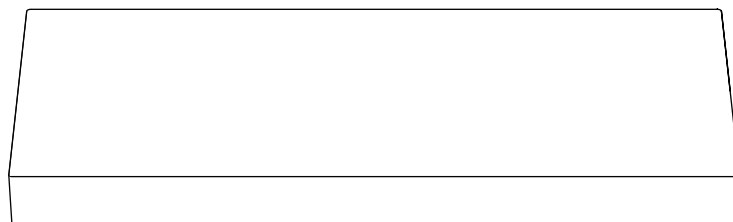
CUSHIONS

X1 LOVESEAT

X1 SOFA



***OR 5 INDIVIDUAL
CUSHIONS**

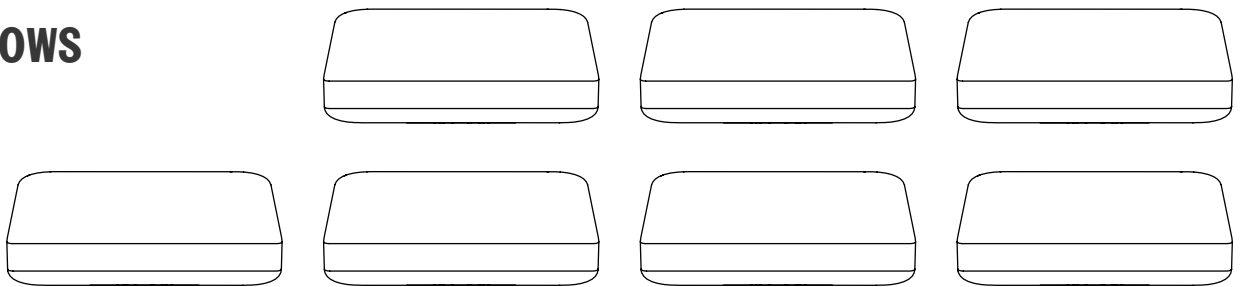


6 Seat Components

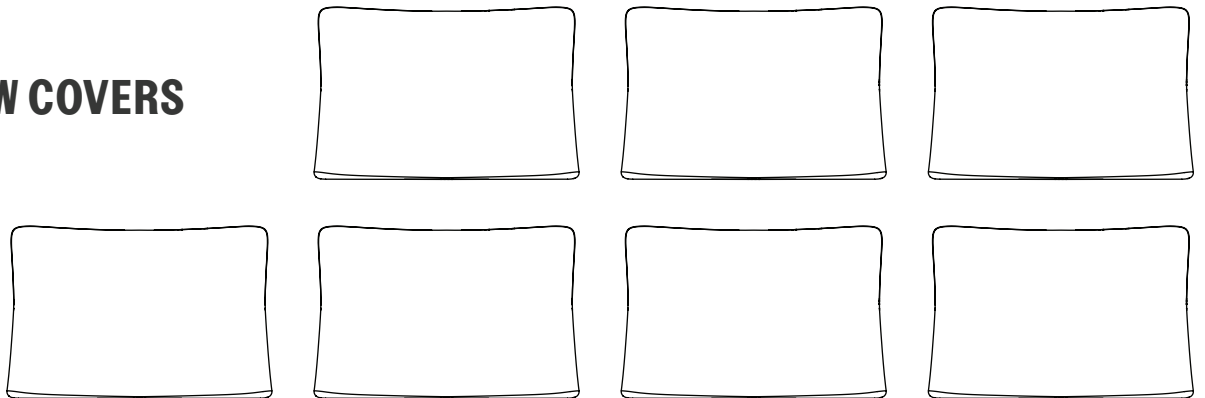
CORNER CUSHION



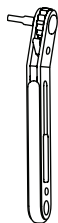
BACK PILLOWS
X 7



BACK PILLOW COVERS
X 7

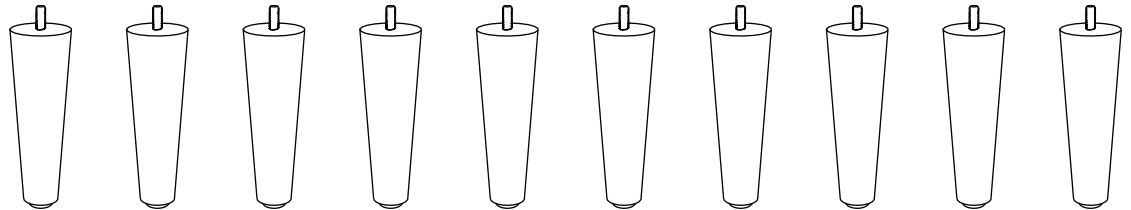


RATCHET WRENCH

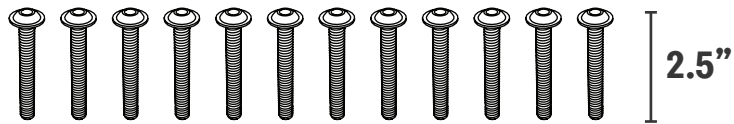


6 Seat Components

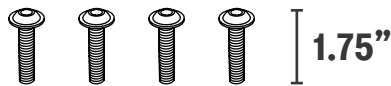
LEGS
X 10



BOLTS
X 12 SOFA BODY BOLTS



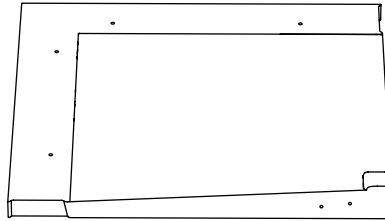
BOLTS
X 4 CORNER UNIT BOLTS



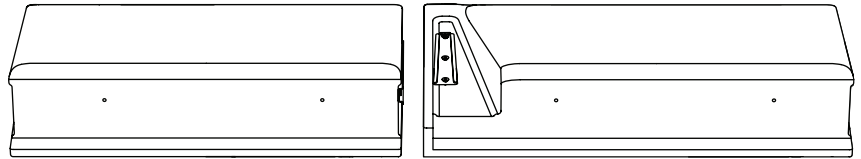
Note: The listed bolt quantity reflects how many bolts are needed for assembly, but you have been provided with extra bolts just in case they're needed.

7 Seat Components

CORNER BASE



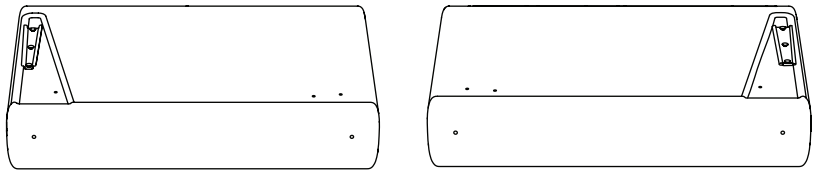
CORNER BACKS X 2



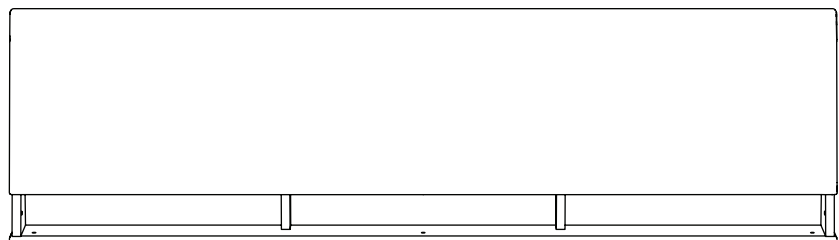
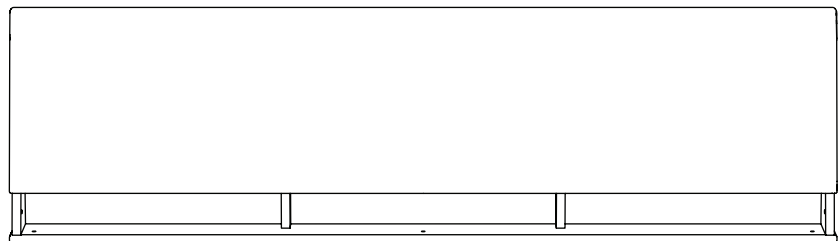
A

B

ARMS X 2

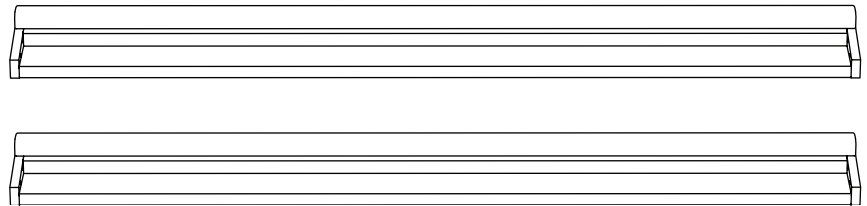


SOFA BACKS X 2

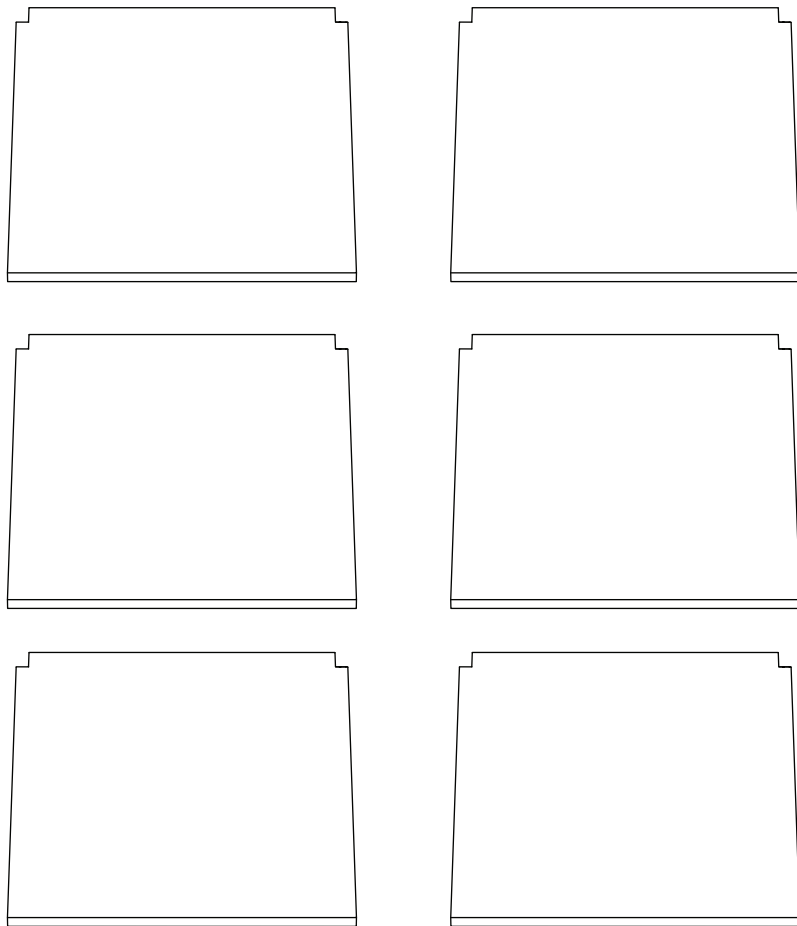


7 Seat Components

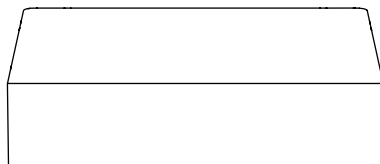
SOFA FRONT RAILS
X 2



SEAT PLATFORMS
X 6



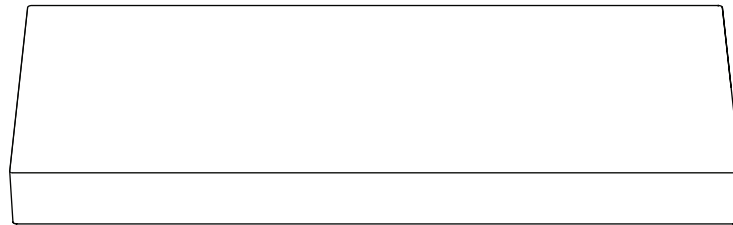
CORNER CUSHION



7 Seat Components

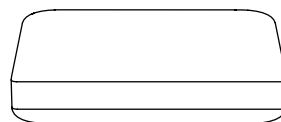
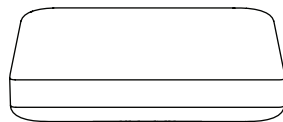
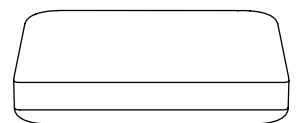
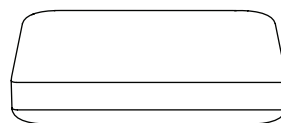
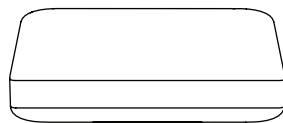
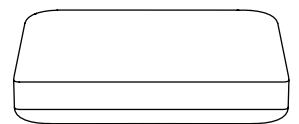
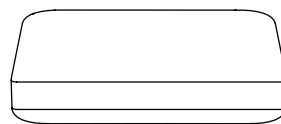
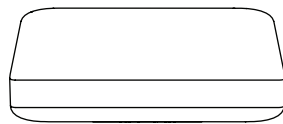
SOFA CUSHIONS

X 2



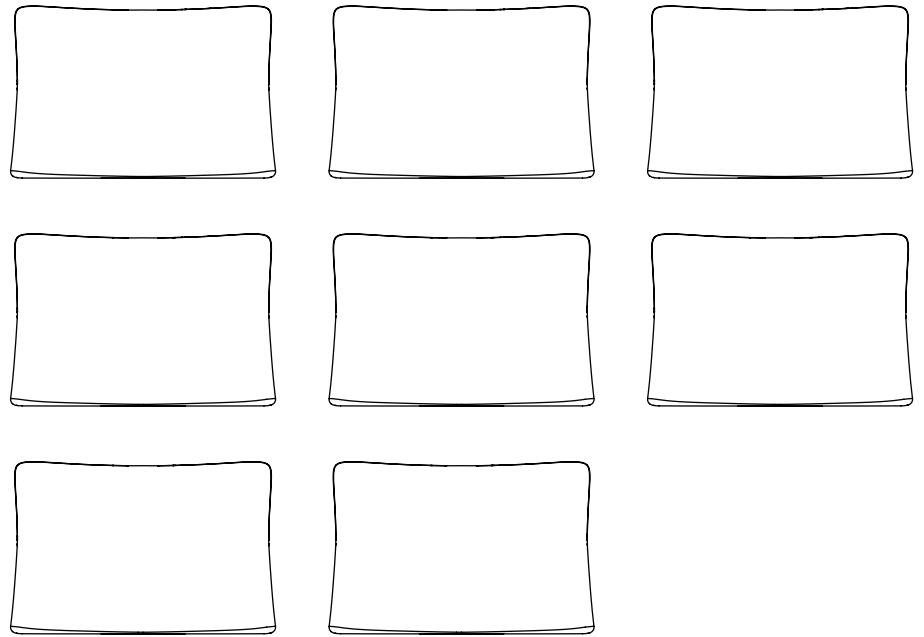
BACK PILLOWS

X 8

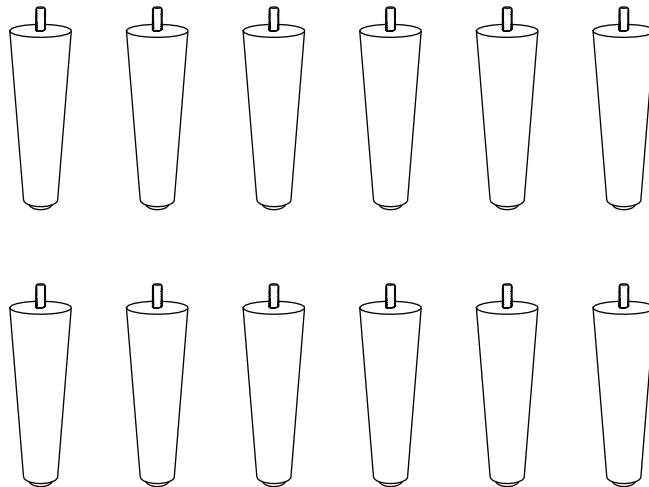


7 Seat Components

BACK PILLOW COVERS
X 8

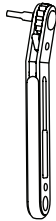


LEGS
X 12

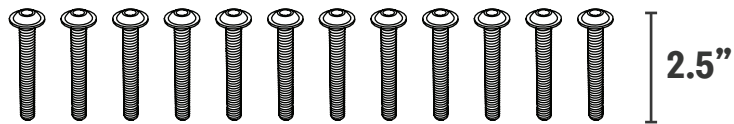


7 Seat Components

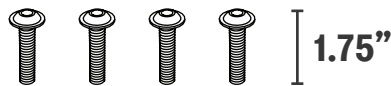
RATCHET WRENCH



BOLTS
X 12 SOFA BODY BOLTS



BOLTS
X 4 CORNER UNIT BOLTS



Note: The listed bolt quantity reflects how many bolts are needed for assembly, but you have been provided with extra bolts just in case they're needed.

Expansion Kit Components

5 SEAT EXPANSION KIT

6 SEAT EXPANSION KIT

* OWNS SOFA, NEEDS LOVESEAT

X 1	LOVESEAT BACK
X 1	LOVESEAT RAIL
X 1	CORNER UNIT BASE
X 2	CORNER UNIT BACKS
X 1	CORNER UNIT CUSHION
X 2	SEAT PLATFORMS
X 4	BACK PILLOWS
X 4	BACK PILLOW COVERS
X 1	LOVESEAT CUSHION & COVER*
	*OR INDIVIDUAL CUSHIONS & COVERS
X 6	SOFA BODY BOLTS (2.5")
X 4	CORNER UNIT BOLTS (1.75")
X 1	RATCHET WRENCH
X 4	LEGS

Note: The listed bolt quantity reflects how many bolts are needed for assembly, but you have been provided with extra bolts just in case they're needed.

Expansion Kit Components

6 SEAT EXPANSION KIT

* OWNS LOVESEAT, NEEDS SOFA

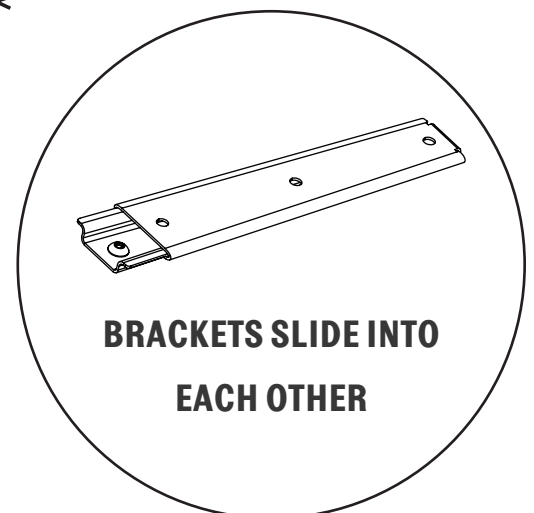
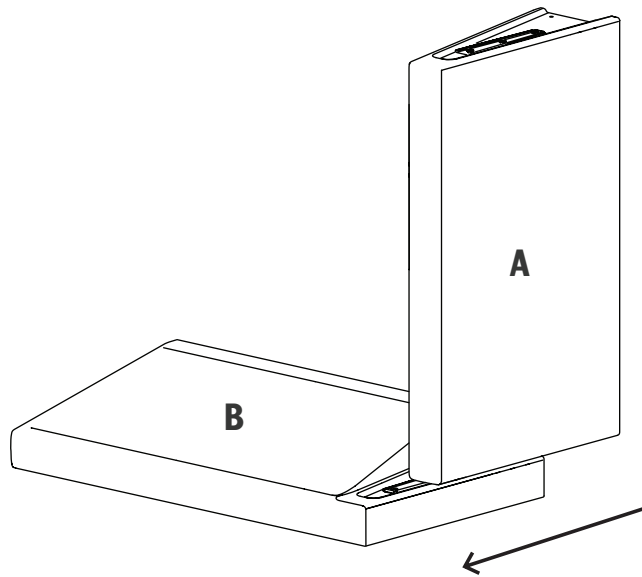
7 SEAT EXPANSION KIT

X 1	SOFA BACK
X 1	SOFA RAIL
X 1	CORNER UNIT BASE
X 2	CORNER UNIT BACKS
X 1	CORNER UNIT CUSHION
X 3	SEAT PLATFORMS
X 5	BACK PILLOWS
X 45	BACK PILLOW COVERS
X 1	BENCH CUSHION & COVER*
	*OR INDIVIDUAL CUSHIONS & COVERS
X 6	SOFA BODY BOLTS (2.5")
X 4	CORNER UNIT BOLTS (1.75")
X 1	RATCHET WRENCH
X 6	LEGS

Note: The listed bolt quantity reflects how many bolts are needed for assembly, but you have been provided with extra bolts just in case they're needed.

1 Slide Corner Backs Together

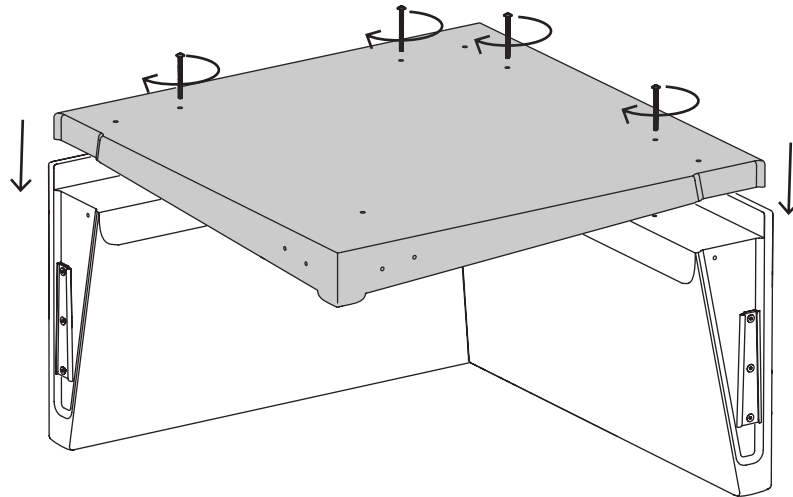
- A** Lay Corner Back B on its back. Line the top of Corner Back A with bottom of Corner Back B. Line the bracket up with each other and slide Corner Back A upwards so that the brackets slide into each other.



2 Connect Corner Base

- A** Flip the Corner Backs upside down. Place the Corner Base on top, aligning the bolt holes in the Corner Base with the threaded inserts in the Corner Backs.
-

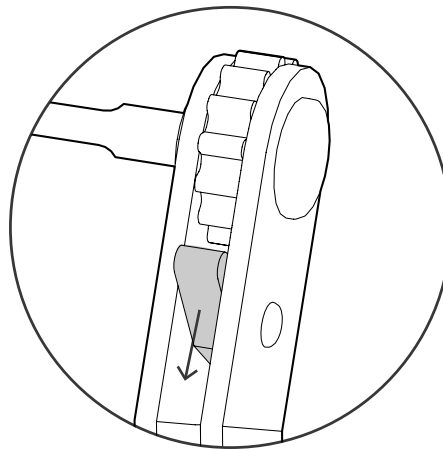
- B** Secure the Corner Base with the 4 Corner Bolts and Ratchet Wrench.



Ratchet Wrench

Use the Ratchet Wrench to tighten the bolts until they are firmly in place. The Ratchet Wrench allows you to tighten the bolt without having to remove the wrench from the bolt each time you have reached the limit of how far it can go in that direction. Instead, you can simply go back in the opposite direction without moving the bolt and continue tightening. The same applies when you are loosening a bolt.

Make sure the switch on the side is flipped down when tightening, and up when loosening.



FLIP DOWN = TIGHTEN

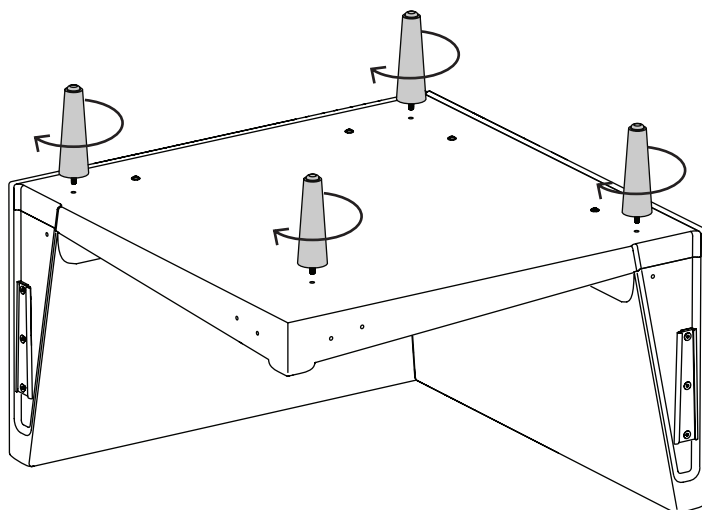
FLIP UP = LOOSEN

3

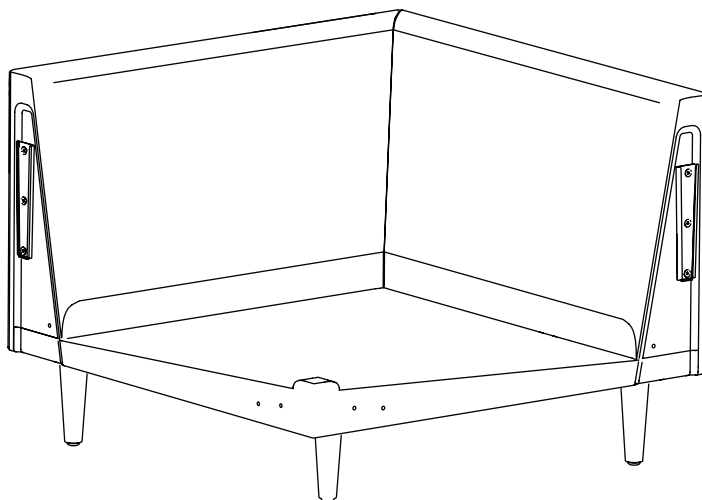
Screw in Legs to Corner Base

A

Screw 4 legs into the Corner Base.

**B**

Flip right side up.



4

Connect Front Rails & Arms

A

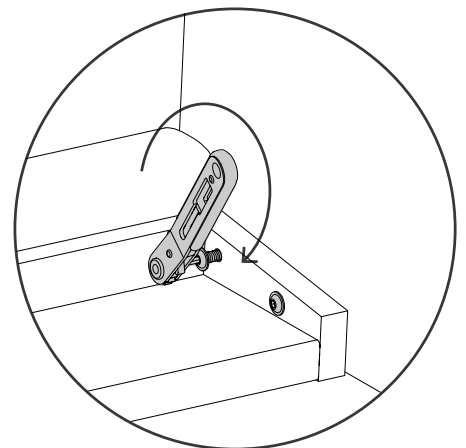
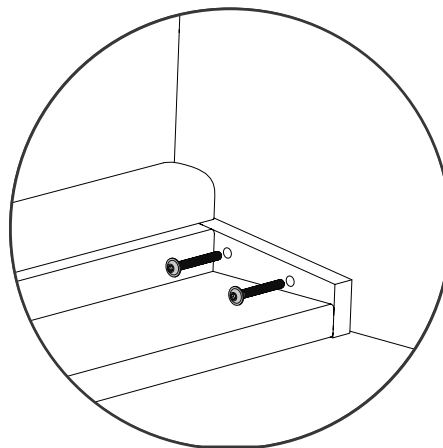
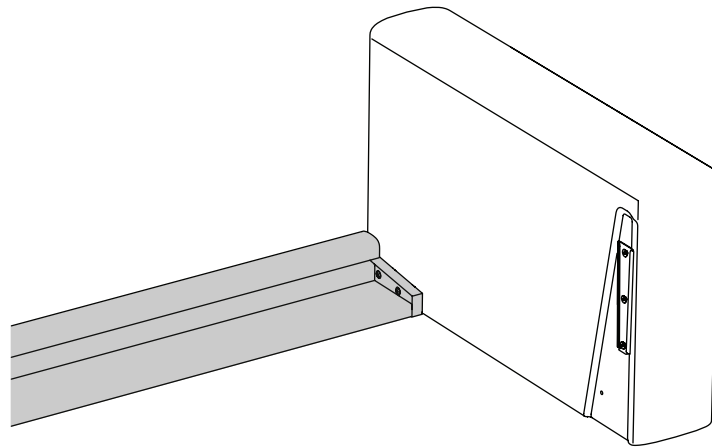
Secure one Arm to each Front Rail, with one Arm attached to the left of one Front Rail, and one Arm attached to the right of the other Front Rail.

Line the holes in each of the Front Rails up with the holes in the Arms and secure them with 2 Sofa Body Bolts.

NOTE FOR 6 SEAT:

Attach an arm to the right side of the Sofa Front Rail if you would like the Sofa on the right side of your Corner Sectional.

Alternatively, attach an arm to the left side of the Sofa Front Rail if you would like the Sofa on the left side of your Corner Sectional.



+ REPEAT ON OTHER SIDE

5

Screw in Remaining Legs

A Flip the Arms and Front Rails onto their backs.

FOR THE 5 SEAT

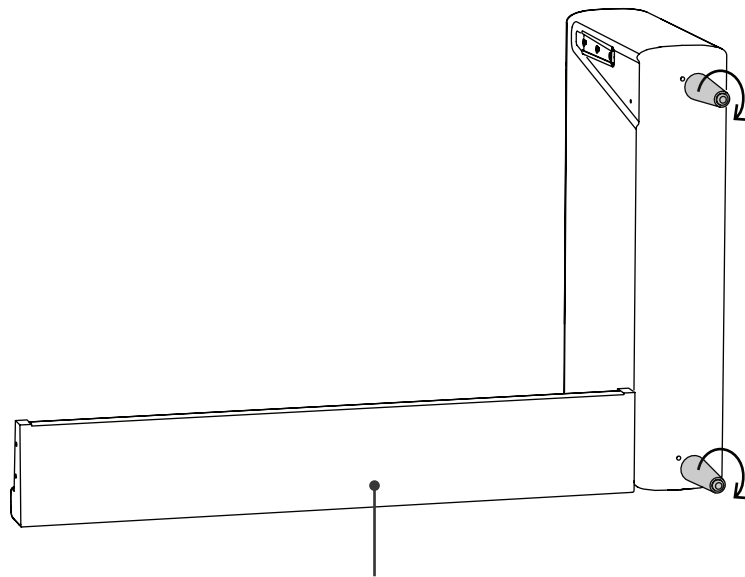
Screw in 2 Legs to each Arm.

FOR THE 6 SEAT

Screw in 2 Legs to each Arm and 1 Leg into the center of the Sofa Front Rail.

FOR THE 7 SEAT

Screw in 2 Legs to each Arm and 1 Leg into the center of the Sofa Front Rail.

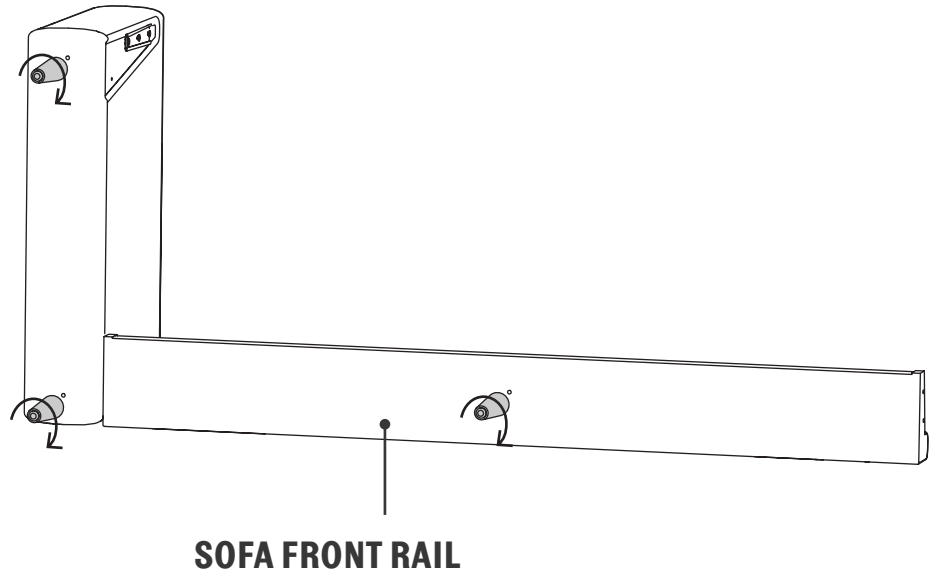


LOVESEAT FRONT RAIL

5

Screw in Remaining Legs

A

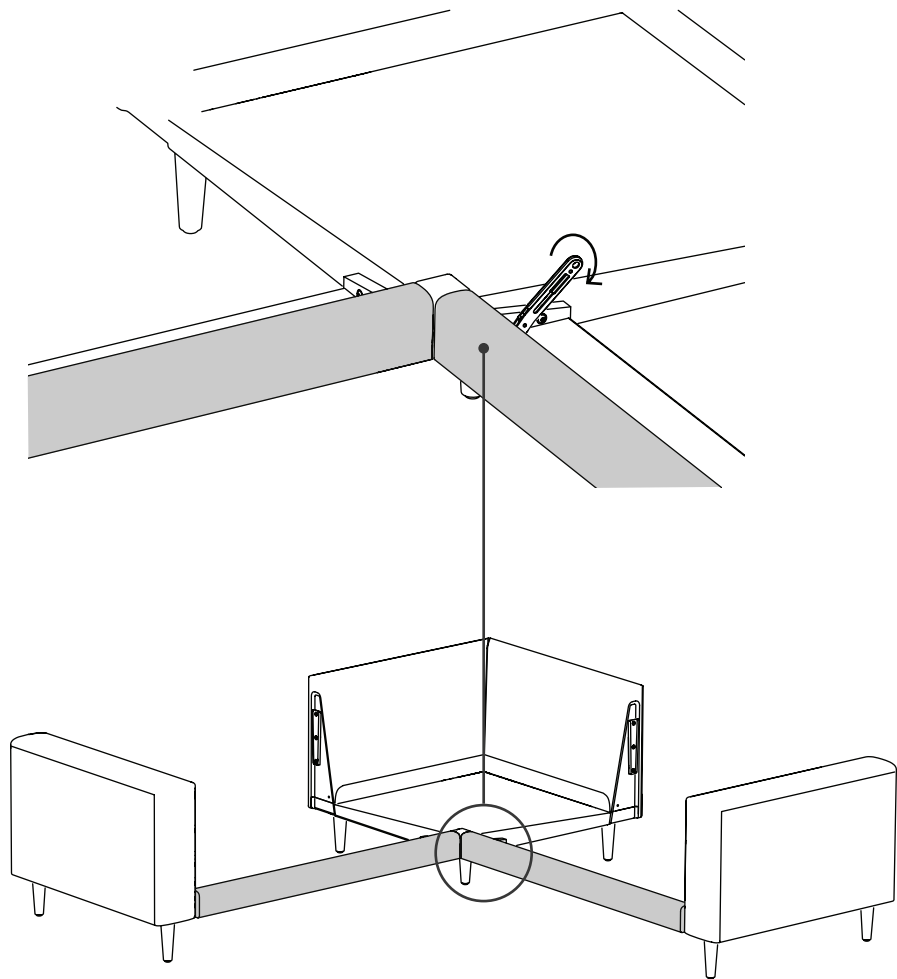


6

Secure Front Rails to Corner Unit

A

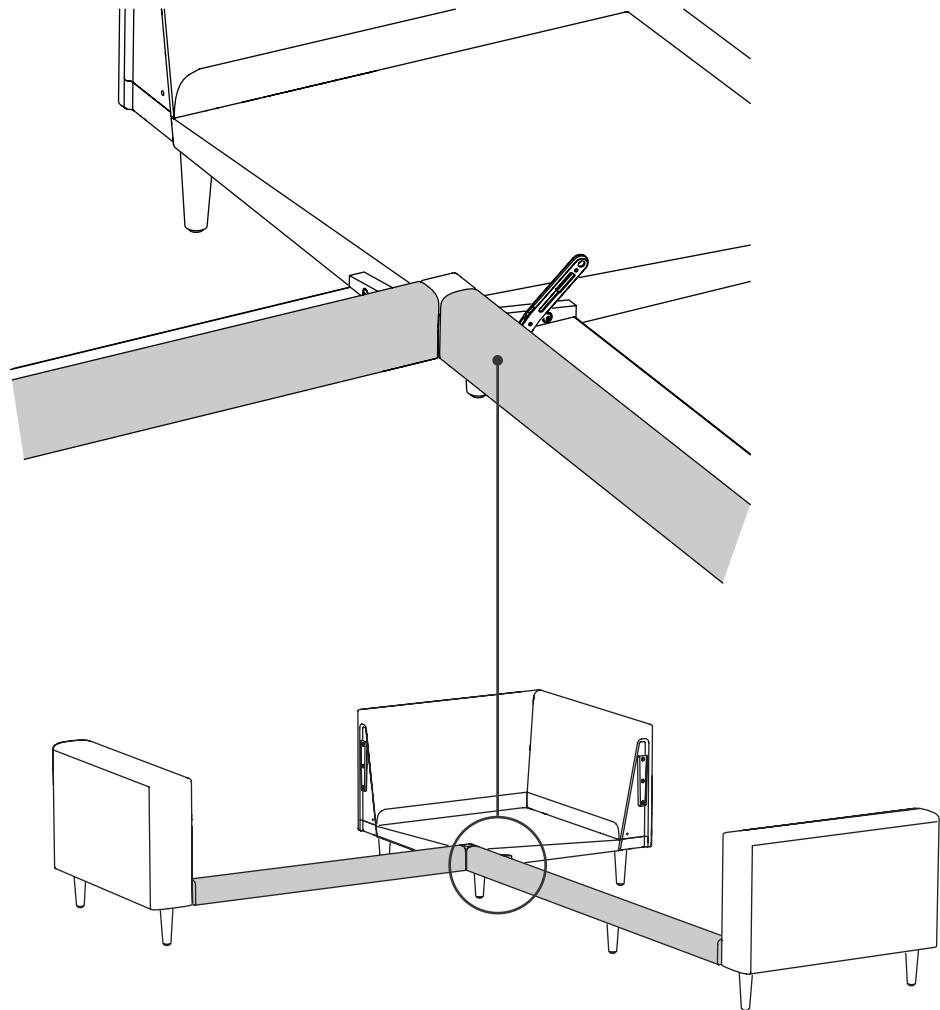
Flip each connected Front Rail and Arm right side up. Secure each Front Rail to the Corner Base by lining the holes in the Front Rail up with the holes in the Corner Base and attaching with 2 Sofa Body Bolts.

**5 SEAT**

6

Secure Front Rails to Corner Unit

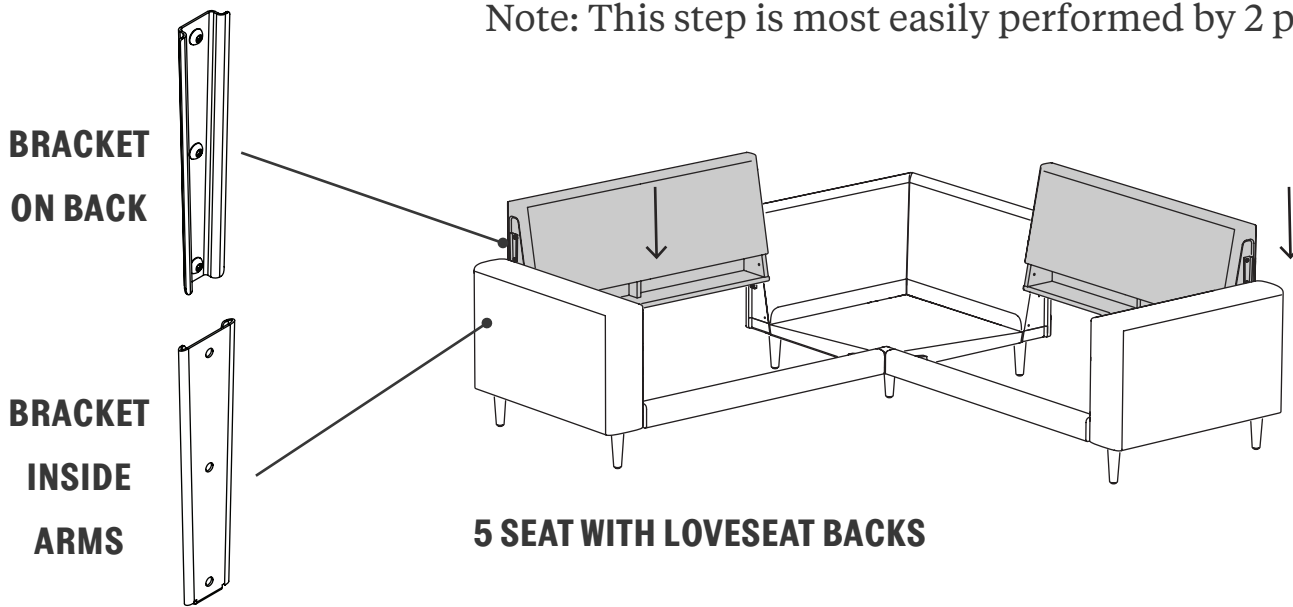
A

**6 SEAT*****7 SEAT NOT PICTURED BUT THE STEPS ARE THE SAME.**

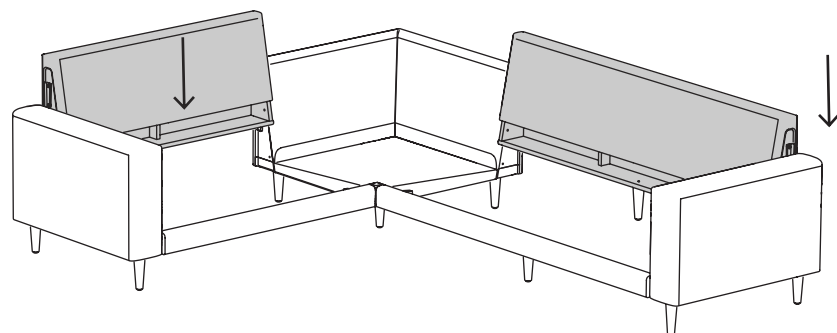
7 Attach Backs

A Slide each Back into the Corner Unit and Arms. Line the brackets up, ensuring that the Back piece is straight and flush with the Corner Unit and Arms before sliding down.

Note: This step is most easily performed by 2 people.



5 SEAT WITH LOVESEAT BACKS



6 SEAT WITH LOVESEAT + SOFA BACKS

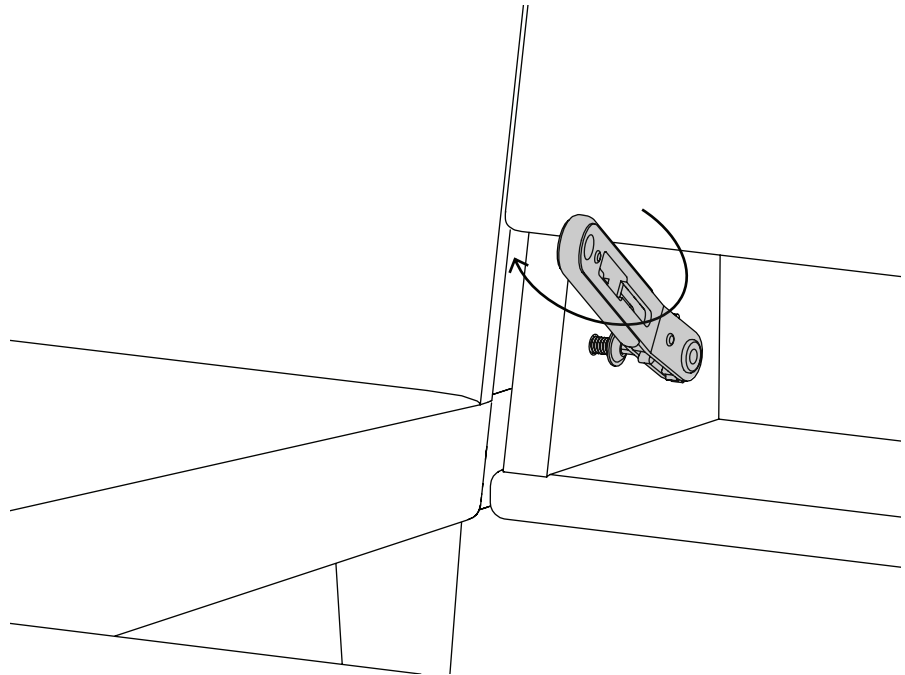
BRACKETS SLIDE INTO EACH OTHER

***7 SEAT (X2 SOFA BACKS) NOT PICTURED BUT THE STEPS ARE THE SAME.**

7

Attach Backs

- B** Secure each Back in the bottom cavity with one Sofa Body Bolt connecting with the Corner Unit and one Sofa Body Bolt connecting with each Arm.

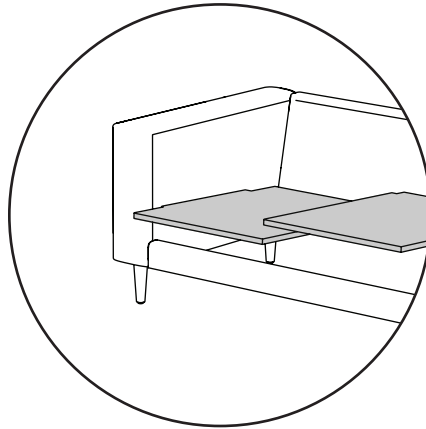
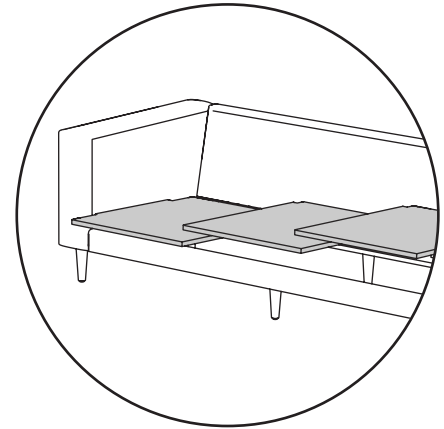


8

Place Platforms & Cushions

A

Lay Seat Platforms across the Back and Front Rail. Platforms should lie at an angle, slightly raised in the front to ensure a comfortable seat pitch.

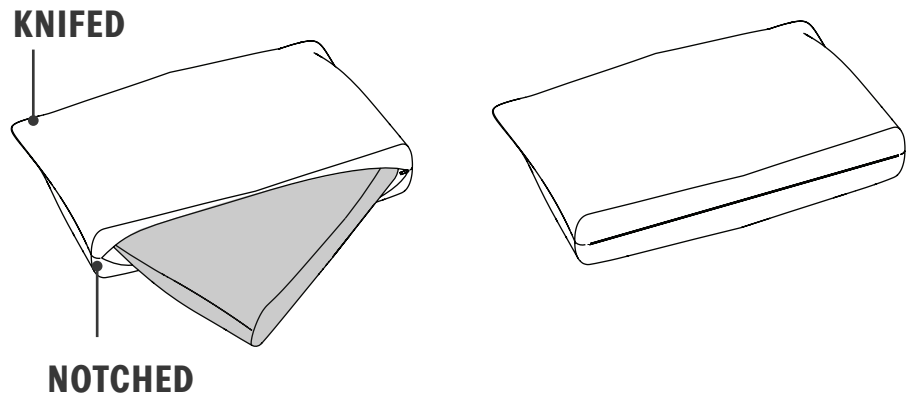
**LOVESEAT PLATFORMS****SOFA PLATFORMS****B**

Place all Seat Cushions onto each appropriate section.

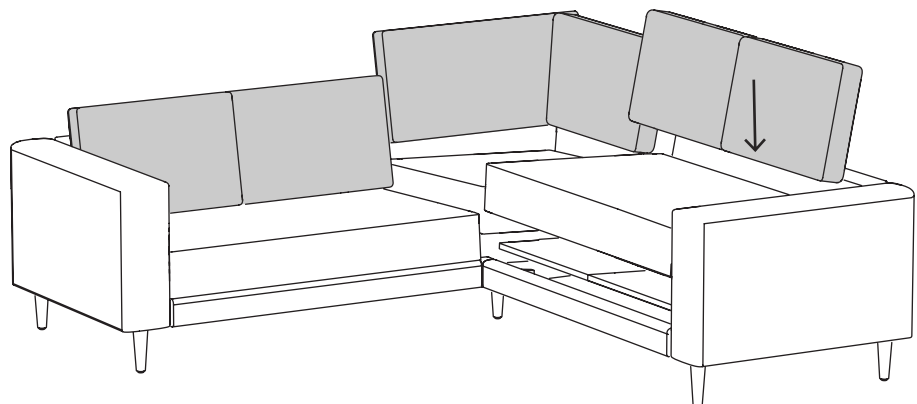
9

Stuff & Add Pillows

- A** Stuff each Pillow into a Pillow Cover, making sure the “knifed” and “notched” edges match the Pillow Covers.



- B** Add the pillows to your new Corner Sectional!

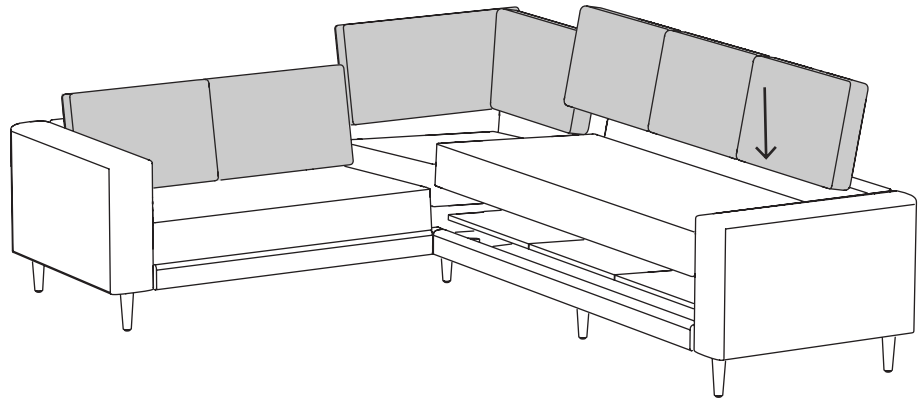


5 SEAT

9

Stuff & Add Pillows

B

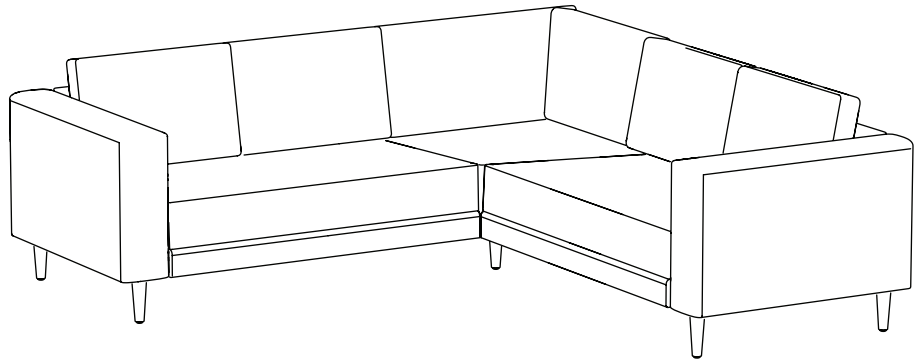


6 SEAT

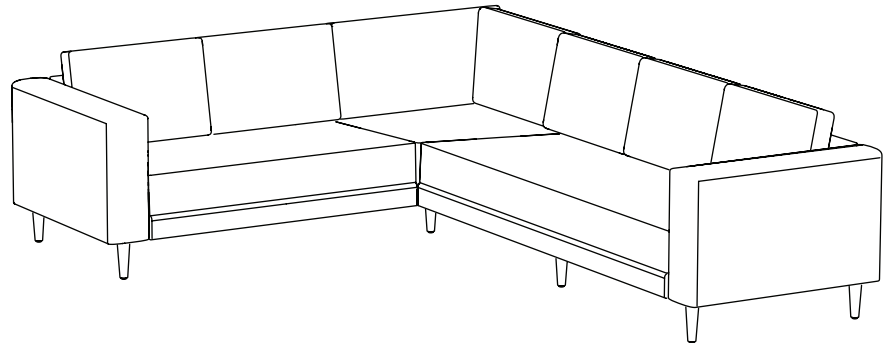
***7 SEAT NOT PICTURED BUT THE STEPS ARE THE SAME.**

10

Enjoy



5 SEAT



6 SEAT

***7 SEAT NOT PICTURED**

SABAI.DESIGN