

SABAI

Designing the Difference

THE ELEVATE REVERSIBLE L CORNER SECTIONAL

Welcome to Sabai

Sabai is designing the difference.

We've minimized your furniture's impact on the environment, from the materials, to the manufacturing process, to programs to extend its life cycle.

Our products are 100% vegan and are made from a combination of recycled, upcycled, and biodegradable materials.

We utilize mechanical fasteners (rather than glue) to ensure that our materials remain recyclable and that we are keeping our manufacturing team safe.

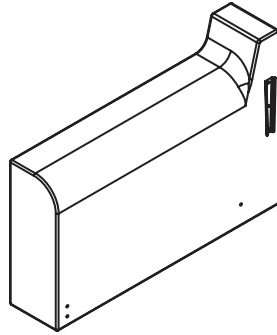
To make sure our furniture stays out of landfills, we've launched two programs under our Sabai Standard: The Repair Don't Replace and Sabai Revive resale programs.

After a simple assembly, you can rest easy with Sabai.

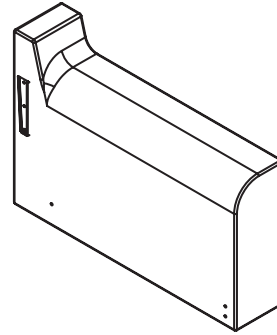
This guide makes assembly a cinch. If you still have questions, you can reach our customer service team at customer@sabai.design and we'll respond within 24 hours.

Components

ARMS X 2

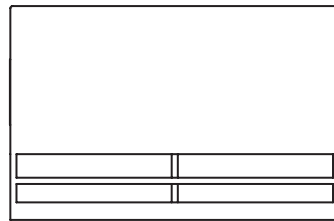
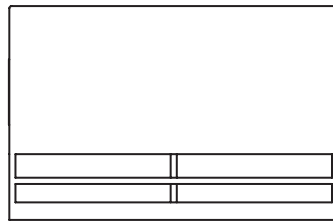


LEFT ARM

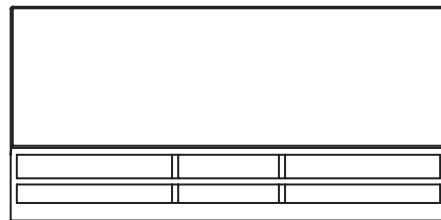


RIGHT ARM

BACKS X 2 SOFA X 1 LOVESEAT

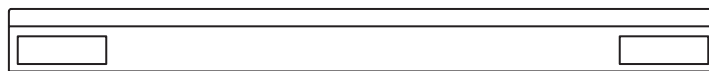


SOFA BACKS



LOVESEAT BACK

FRONT RAILS X 1 SOFA RAIL X 1 LOVESEAT RAIL



SOFA RAIL



LOVESEAT RAIL

Components

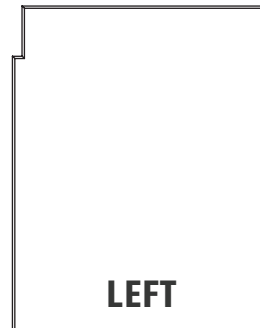
SEAT PLATFORMS

X 2 SOFA SEAT PLATFORMS

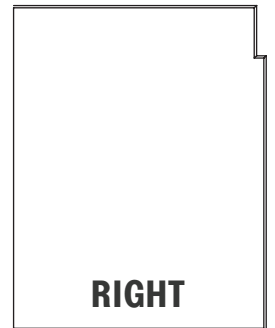
X 2 LOVESEAT SEAT PLATFORMS



SOFA



LEFT



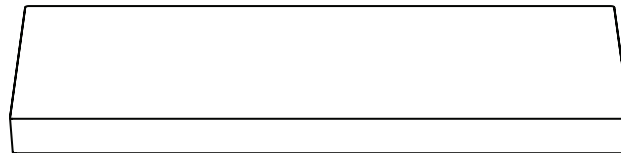
RIGHT

LOVESEAT

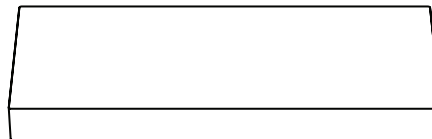
SEAT CUSHIONS

X 1 SOFA CUSHION

X 1 LOVESEAT CUSHION



SOFA

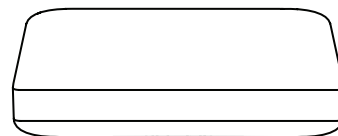
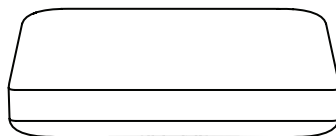


LOVESEAT

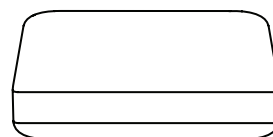
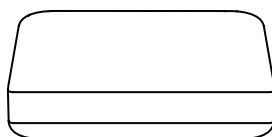
BACK PILLOWS

X 2 SOFA PILLOWS

X 2 LOVESEAT PILLOWS



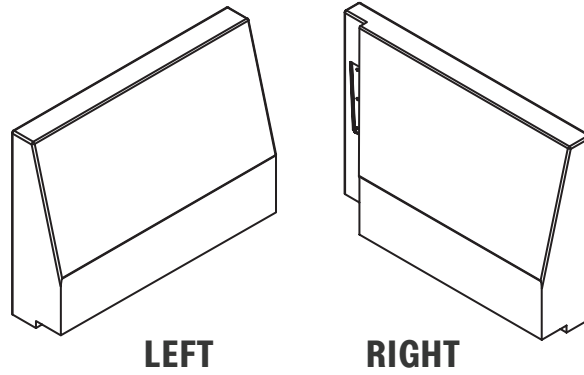
SOFA



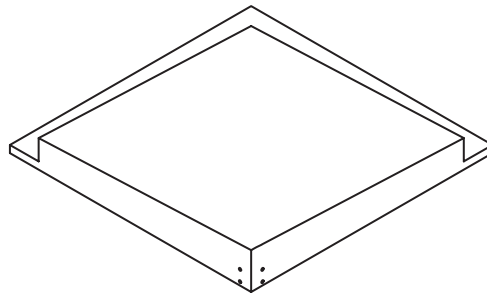
LOVESEAT

Components

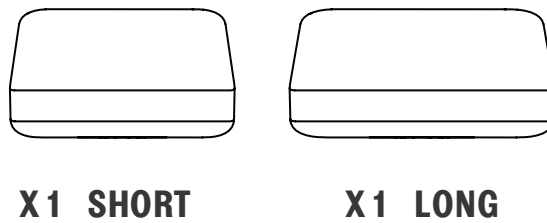
CORNER BACK
X 2



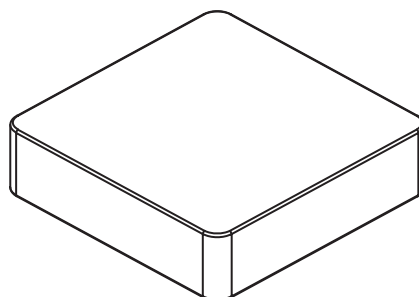
CORNER SEAT BASE
X 1



CORNER BACK PILLOW
X 2



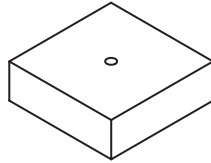
CORNER SEAT CUSHION
X 1



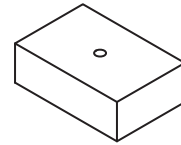
Components

LEGS

X 10 SQUARE
X 2 CENTER



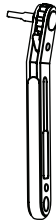
SQUARE LEG



CENTER LEG

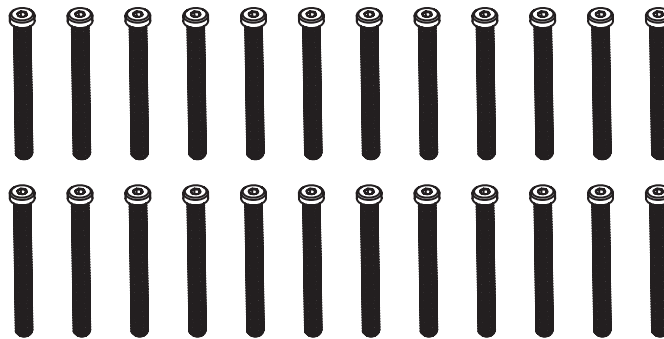
RATCHET WRENCH

X 1

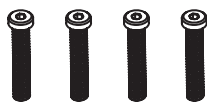


METAL BOLTS

X 24 LONG
X 4 SHORT



LONG



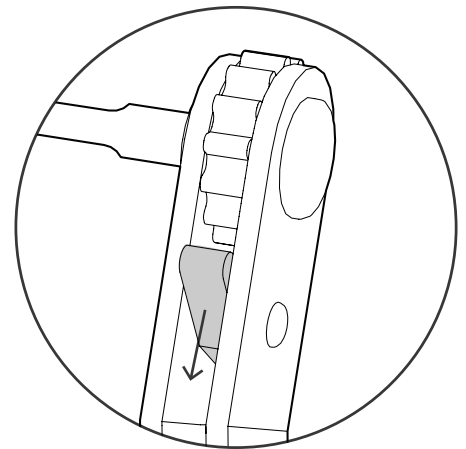
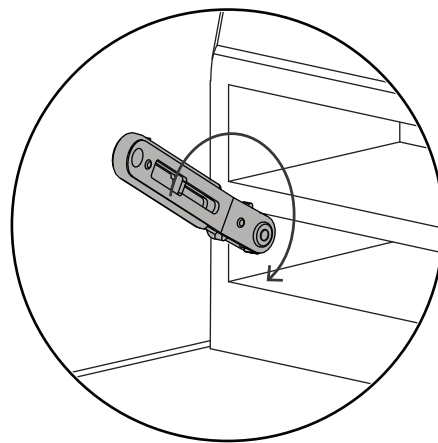
SHORT

Note: The listed bolt quantity reflects how many bolts are needed for assembly, but you have been provided with extra bolts just in case they're needed.

Ratchet Wrench

You can tighten Bolts firmly and quickly by using the Ratchet Wrench. The Ratchet Wrench allows you to tighten the Bolt without having to remove the wrench from the bolt each time you have reached the limit of how far it can go in that direction. Instead, you can simply go back in the opposite direction without moving the bolt and continue tightening. The same applies when you are loosening a bolt.

Make sure the switch on the side is flipped down when tightening, and up when loosening.

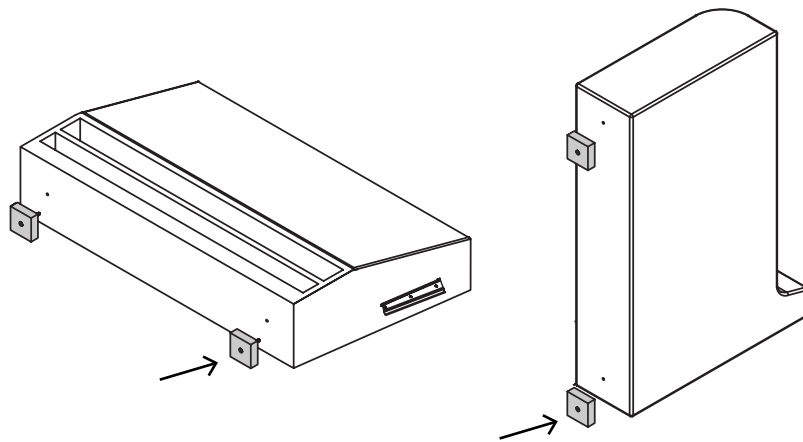


FLIP DOWN = TIGHTEN

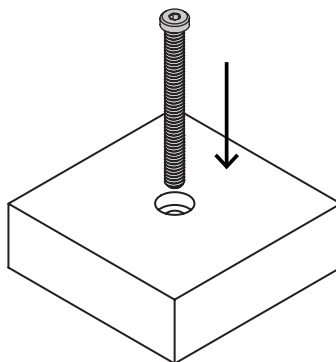
FLIP UP = LOOSEN

1 Attach Legs

- A** Flip over the two Arms and all Backs. Attach the Square Legs with the Long Bolts, tightening with the Ratchet Wrench.

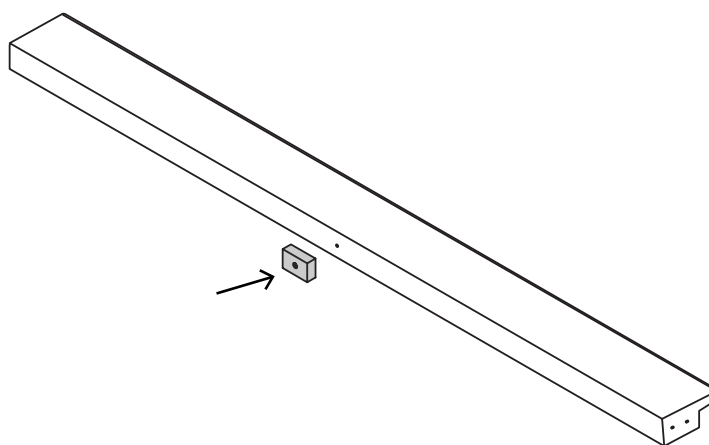


To Attach Legs - Insert Long Bolts through the hole in each Leg. The head of the Bolt will sit within the with the larger drilled hole on the Leg once tightened.

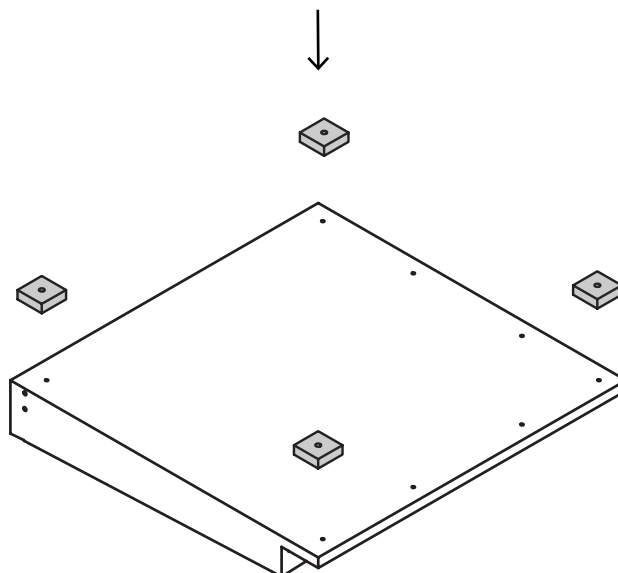


1 Attach Legs

- B** Attach the two Center Legs to the bottom middle of the two Front Rails using the Long Bolts.



- C** Locate the Corner Seat Base. Attach four Square Legs to the bottom of the Seat Base with four Long Bolts.

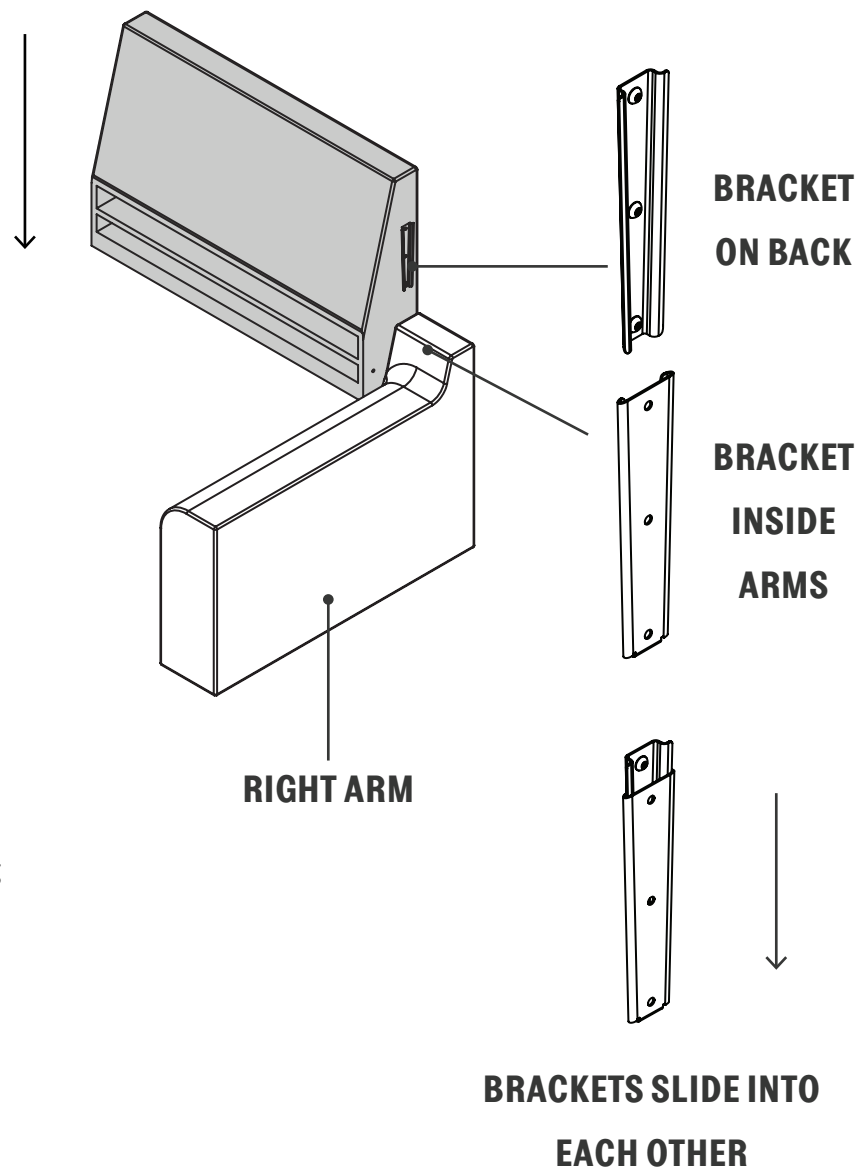


2

Attach Sofa Back to Arm

A

Locate the Right Arm (when looking at the unit the curve of the arm is on the inside) and a Sofa Back. Slide the Back down to line up with the bottom of the Arm.



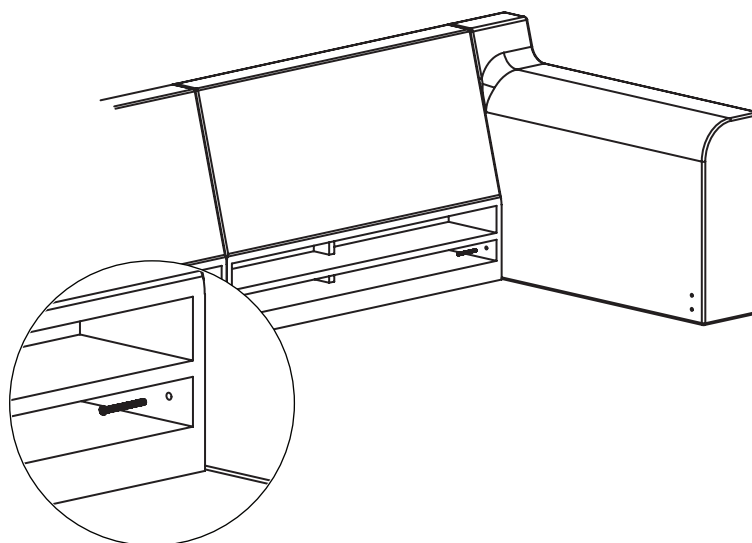
Note: These assembly instructions illustrate a Sofa on the right side of the Reversible L Corner Sectional. If you wish to have the Loveseat on the right instead, the same steps are required but using the Loveseat components where Sofa components are mentioned.

2

Attach Sofa Back to Arm

B

Take one Bolt and insert it into the hole in the back cavity that lines up with a hole on the Arm. Screw the Bolt in loosely with your fingers then tighten securely with the Ratchet Wrench.

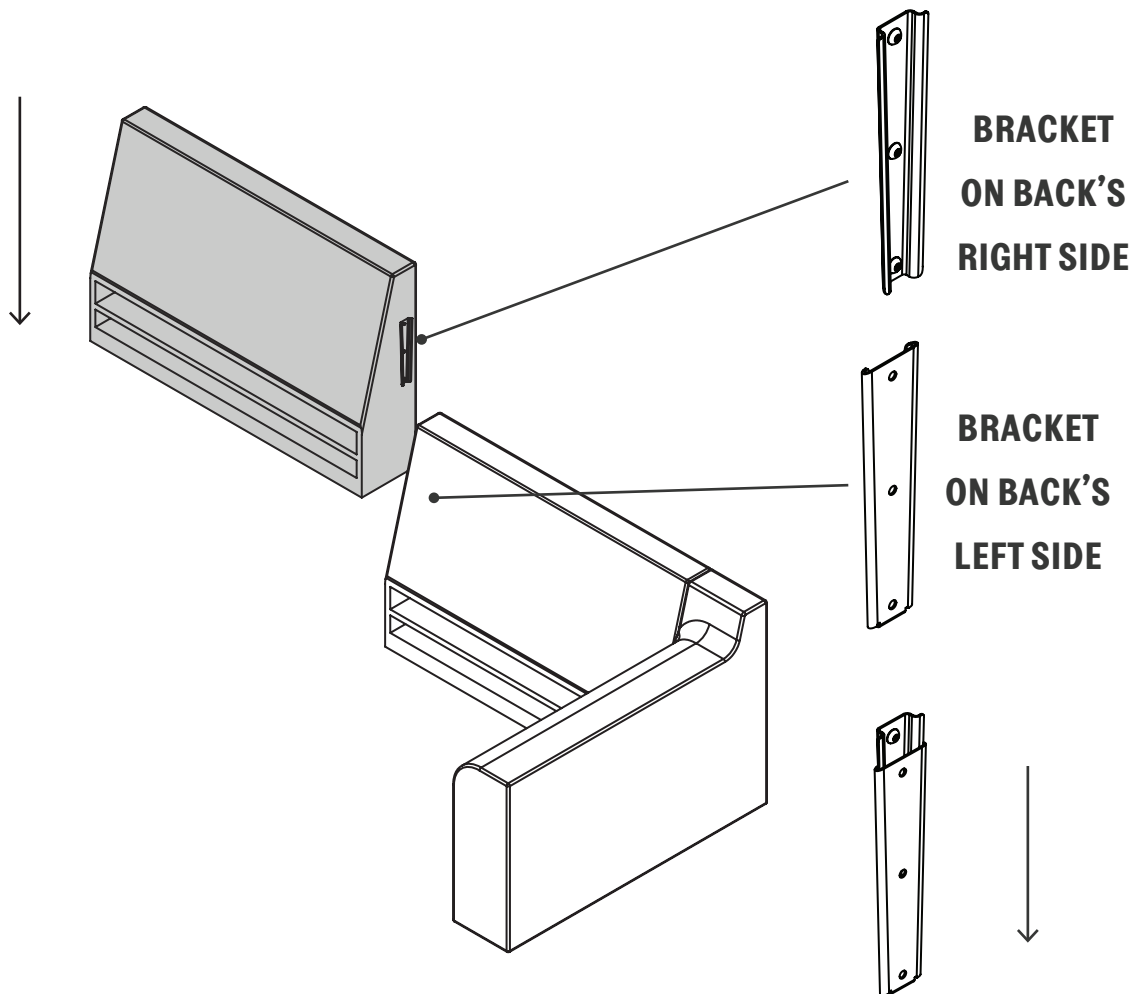


3

Attach Sofa Back to Sofa Back

A

Take a second Back piece and align the bracket to the attaches Back's bracket. Slide the second Back down to connect the two Backs.

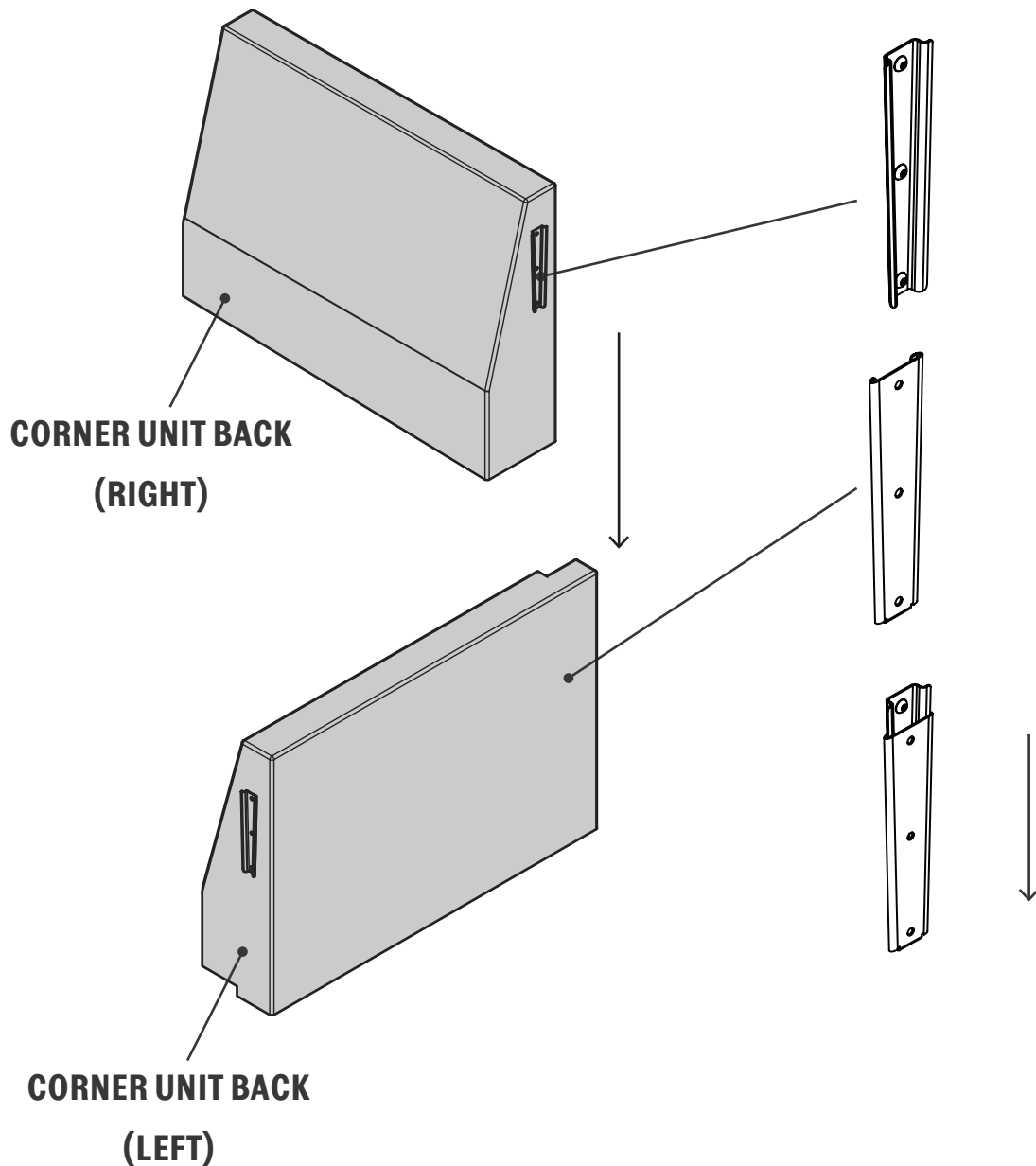


4

Build Corner Unit

A

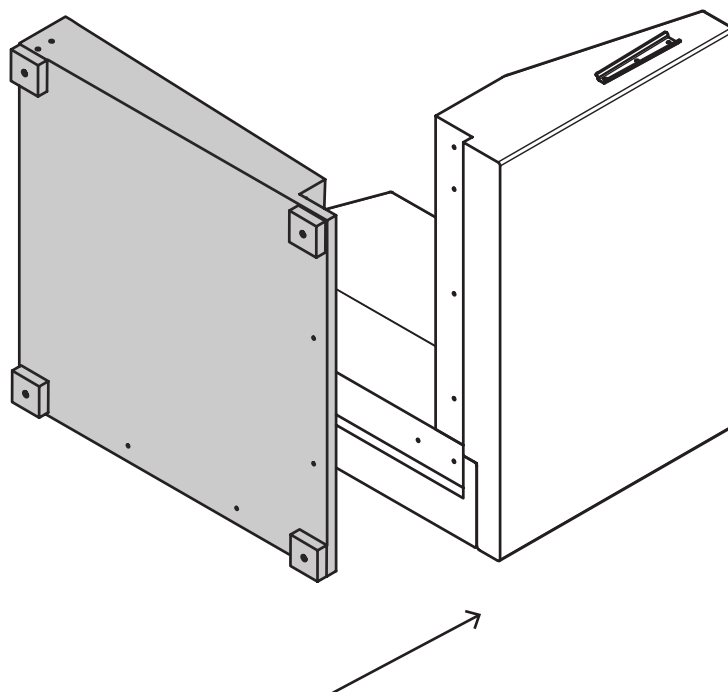
Locate the Corner Back (Right) and Corner Back (Left). Align the pieces to be perpendicular to each other. Lift the Corner Back Left piece and slide its bracket into the corresponding bracket on the Corner Right Piece.



4 Build Corner Unit

B Flip the two Corner Unit Backs onto their back. Align the Corner Seat Base with the bottom surface of the Corner Backs.

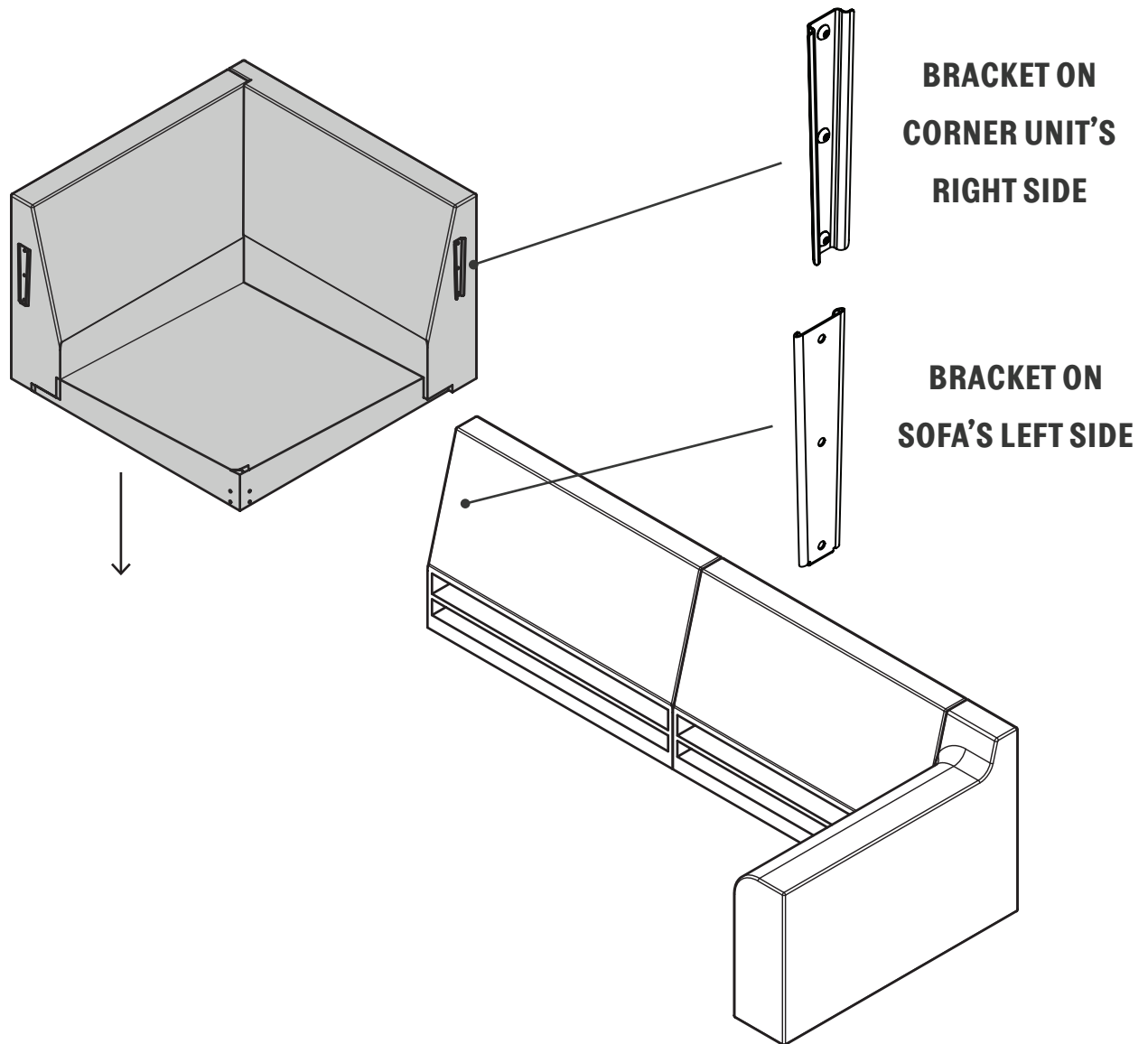
Use four Long Bolts to connect the Seat Base to the Corner Backs.



5 Attach Corner Unit

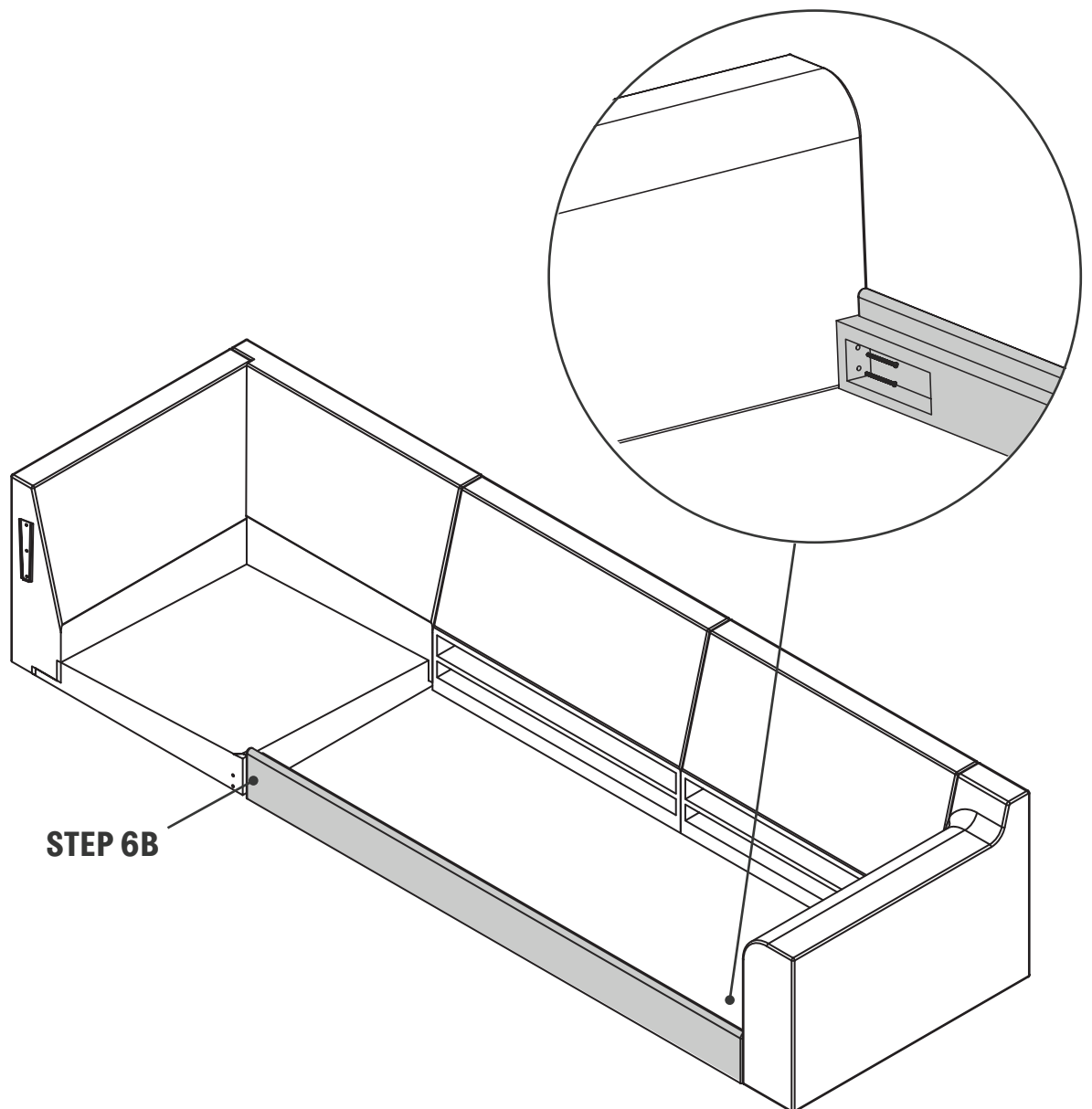
A

Align the bracket on the outer right side of the assembled Corner Unit to the last Back piece. Slide the Corner Unit down to connect the Backs.



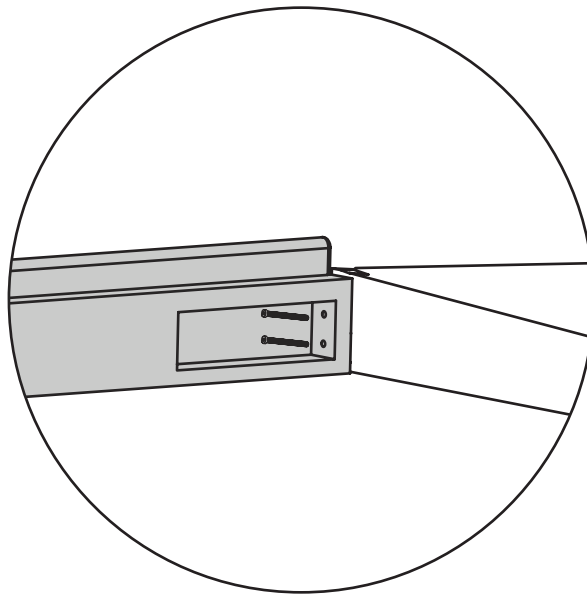
6 Attach Front Rail

- A** Locate one of the Front Rails. Align the Front Rail to the front of the Right Arm. Use two Long Bolts to secure the Front Rail in place. Do not tighten the bolts completely, leave them loose for now.



6 Attach Front Rail

- B** Align the other side of the Front Rail to the Corner Unit. Use two Short Bolts to secure the Front Rail in place. Do not tighten the bolts completely, leave them loose for now.



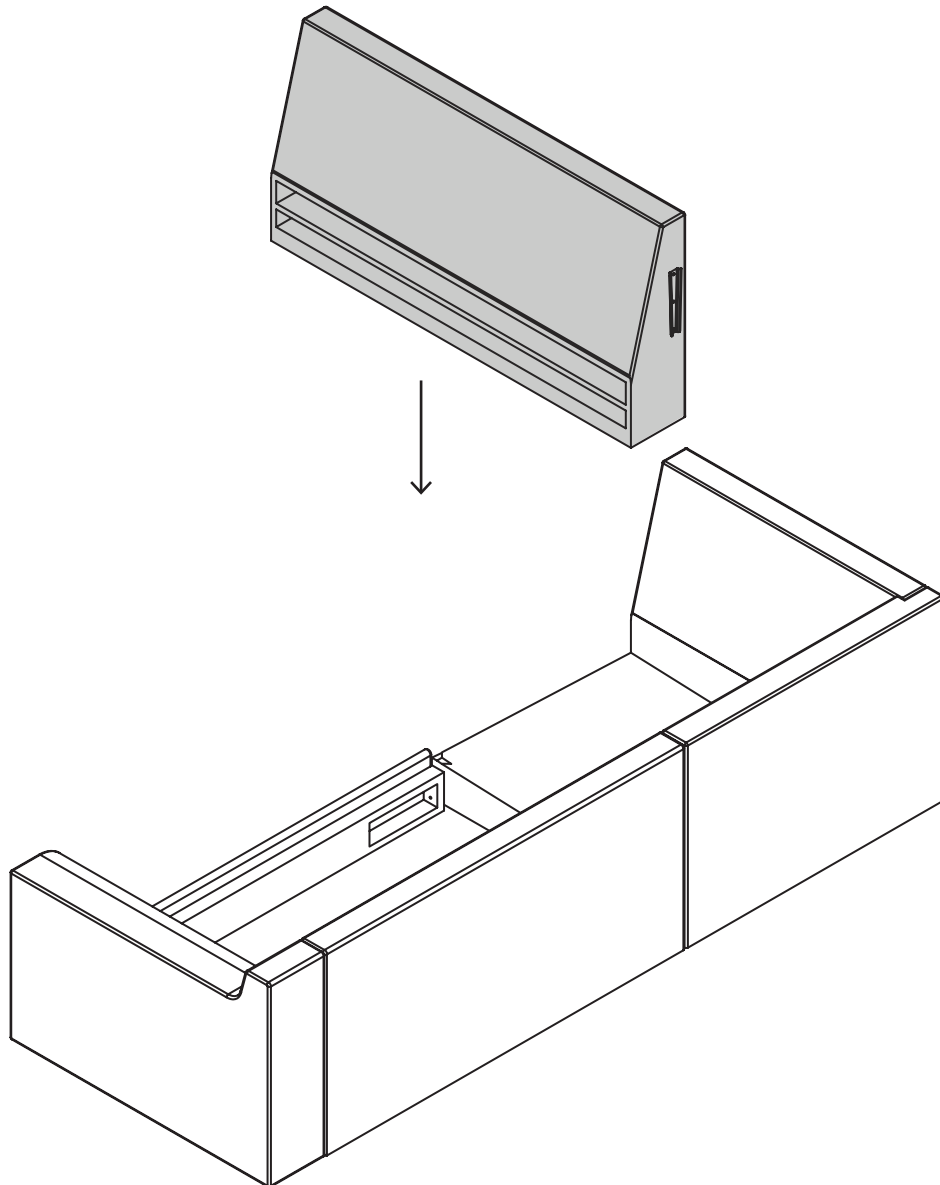
- C** Once all 4 Bolts on either side of the Front Rail have been loosely threaded in place, tighten the Bolts with the Ratchet Wrench.

7

Attach Loveseat Back to Corner Unit

A

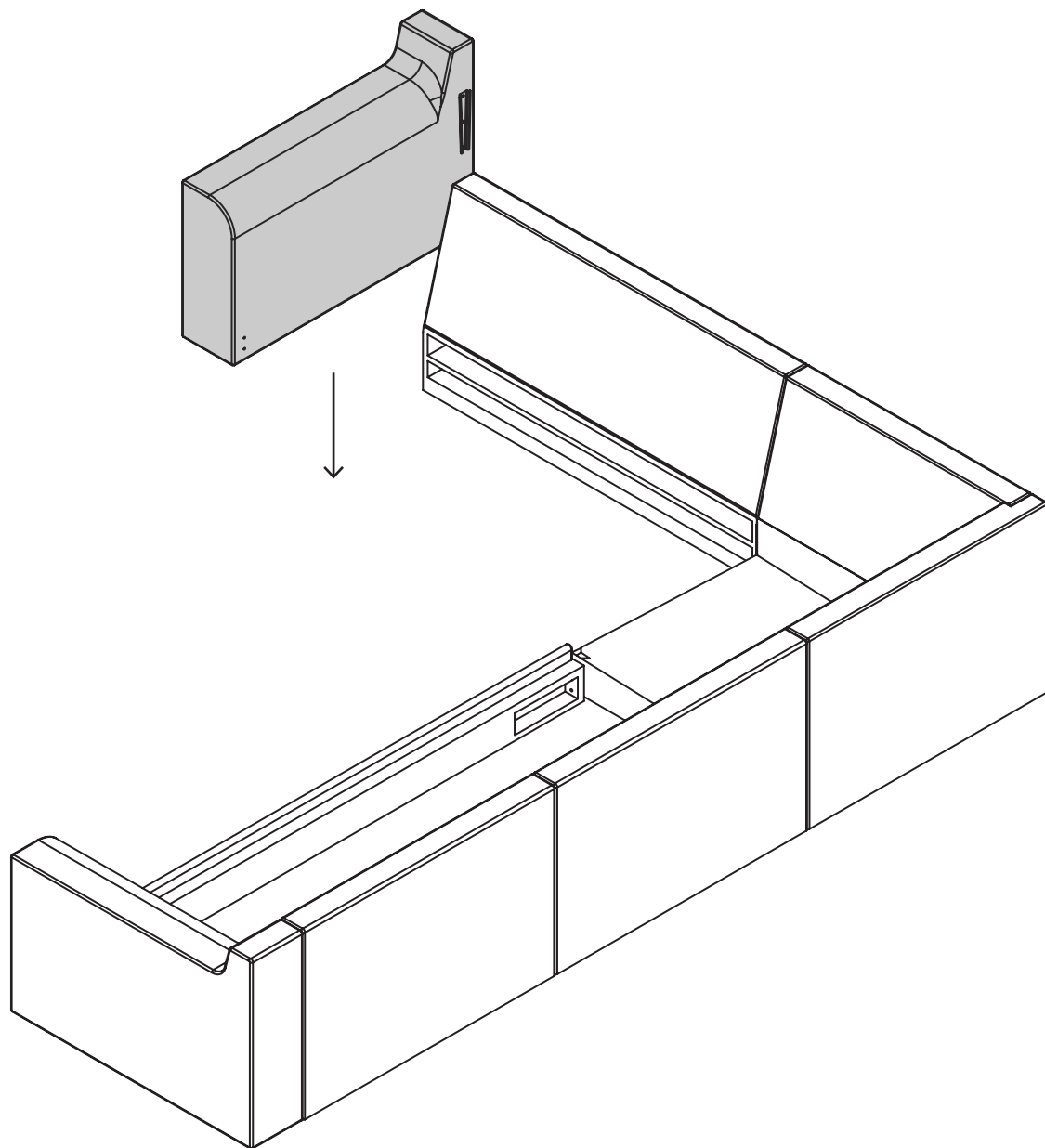
Align the Loveseat Backs to the Corner Back Left. Slide the Sofa Back down, engaging the brackets and securing it in place.



8 Attach Left Arm

A

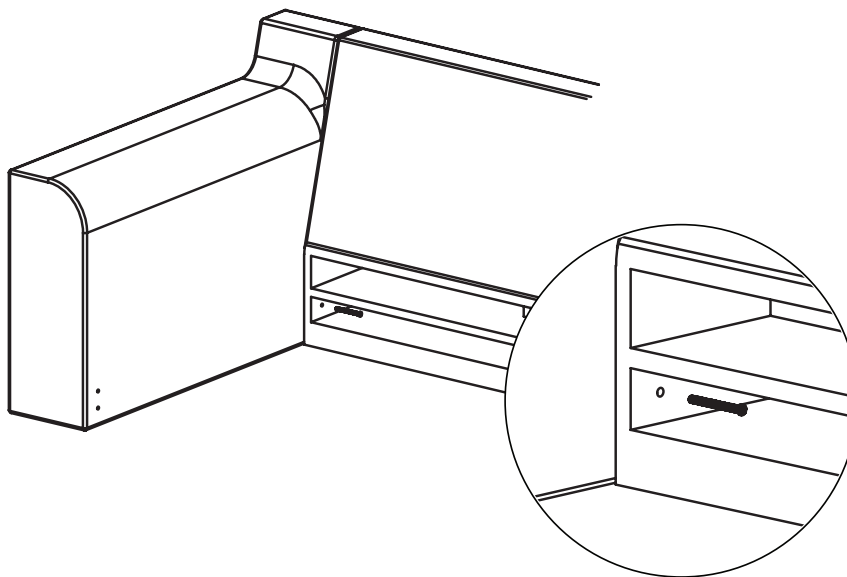
Align the bracket on the Left Arm to the Loveseat Back. Slide the Arm down, engaging the brackets and securing in place.



8

Attach Left Arm

- B** Take one Long Bolt and insert it into the hole in the back cavity that lines up with a hole on the Arm. Screw the Bolt in loosely with your fingers then tighten securely with the Ratchet Wrench.

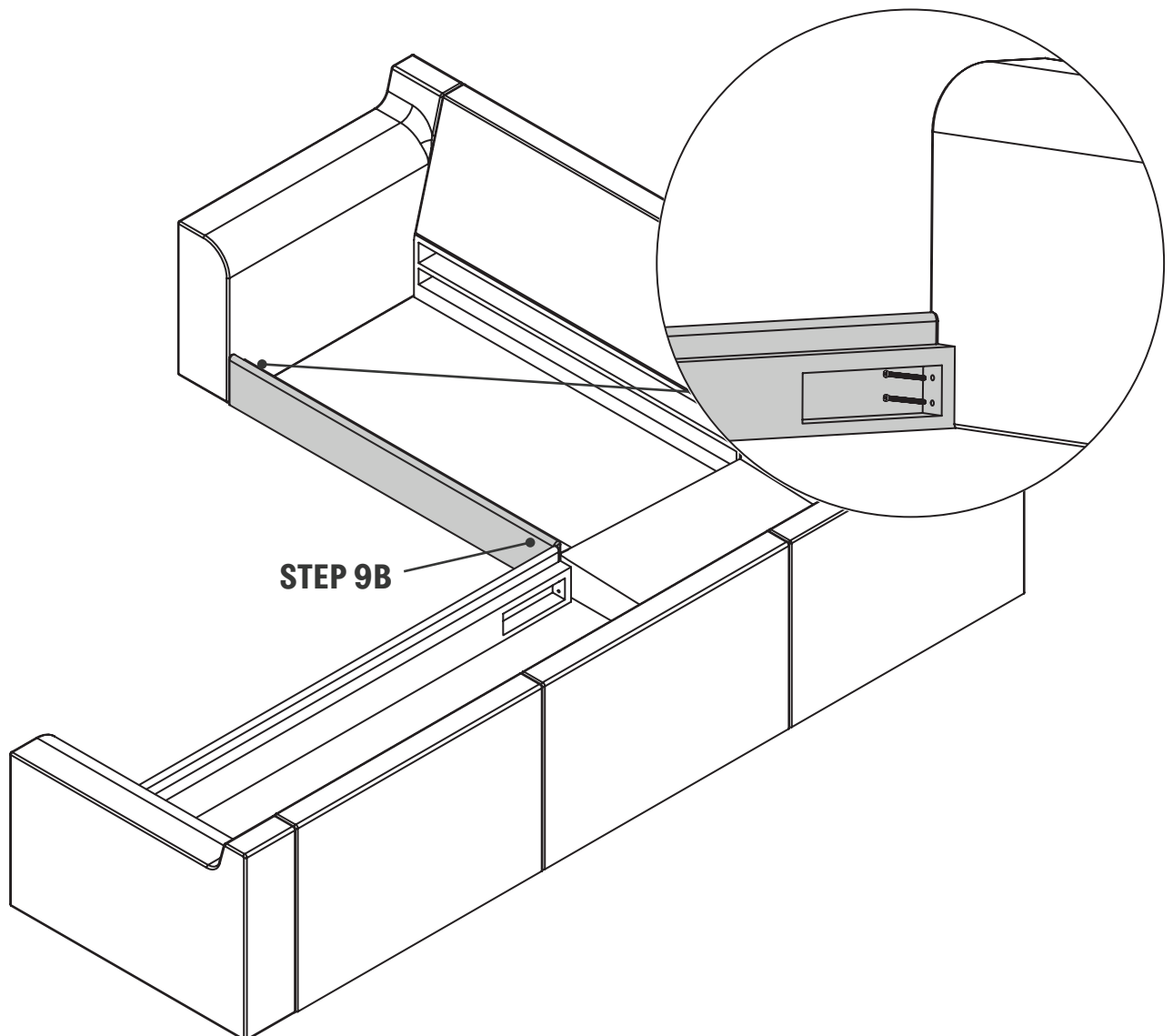


9

Attach Loveseat Front Rail

A

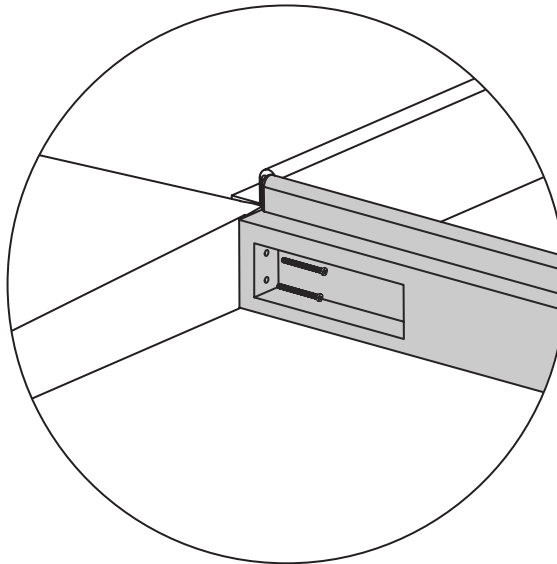
Locate the Loveseat Front Rail. Align the Front Rail to the front of the Left Arm. Use two Long Bolts to secure the Front Rail in place. Do not tighten the bolts completely, leave them loose for now.



9

Attach Loveseat Front Rail

- B** Align the other side of the Front Rail to the Corner Unit. Use two Short Bolts to secure the Front Rail in place. Do not tighten the bolts completely, leave them loose for now.



-
- C** Once all 4 Bolts on either side of the Front Rail have been loosely threaded in place, tighten the Bolts with the Ratchet Wrench.

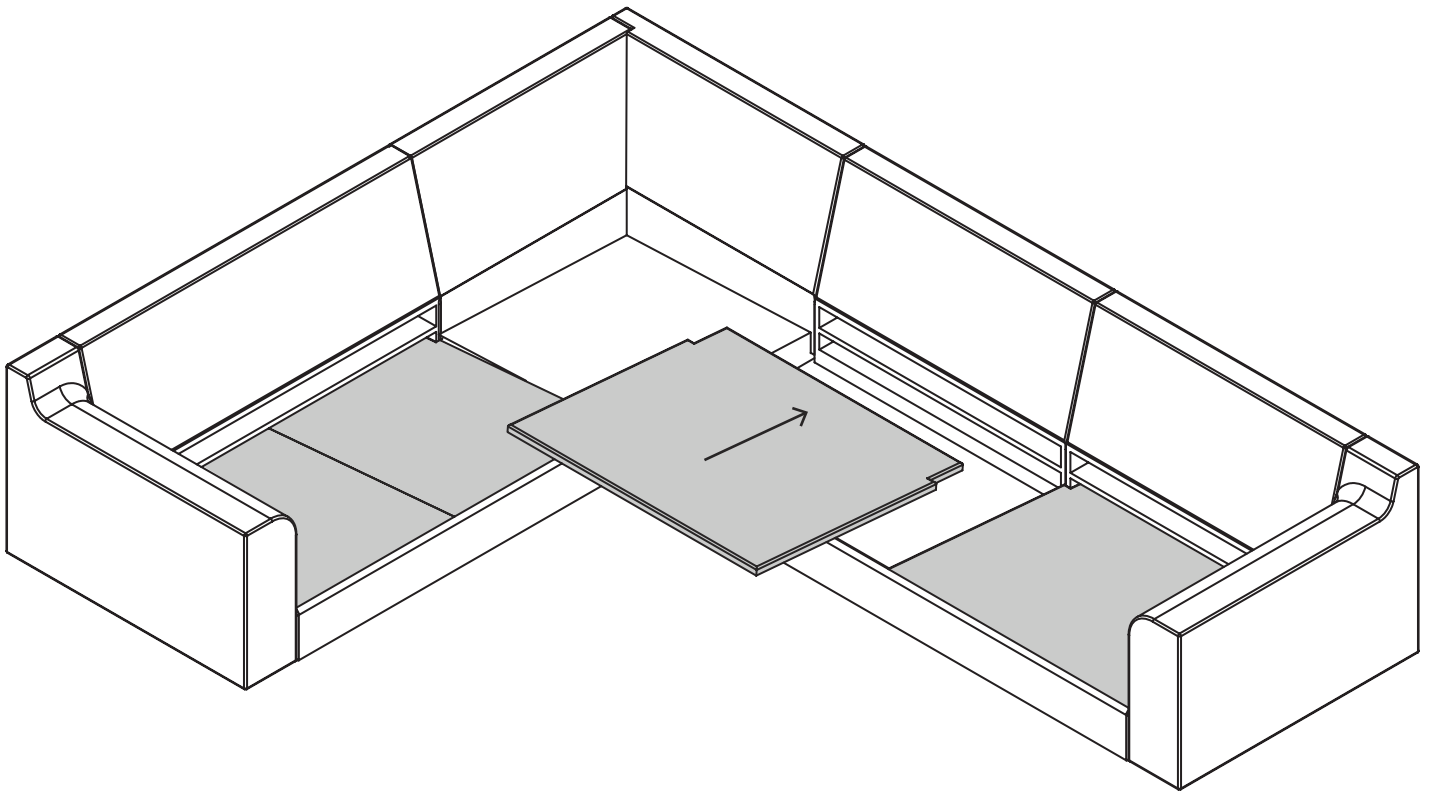
10

Lay Seat Platforms

A

Lay each Seat Platform into the lower cavity in the Backs with the other end of the platform resting along the inner lip of the Front Rail.

Seat Platforms should lie at an angle, slightly raised in the front to ensure a comfortable seating pitch.

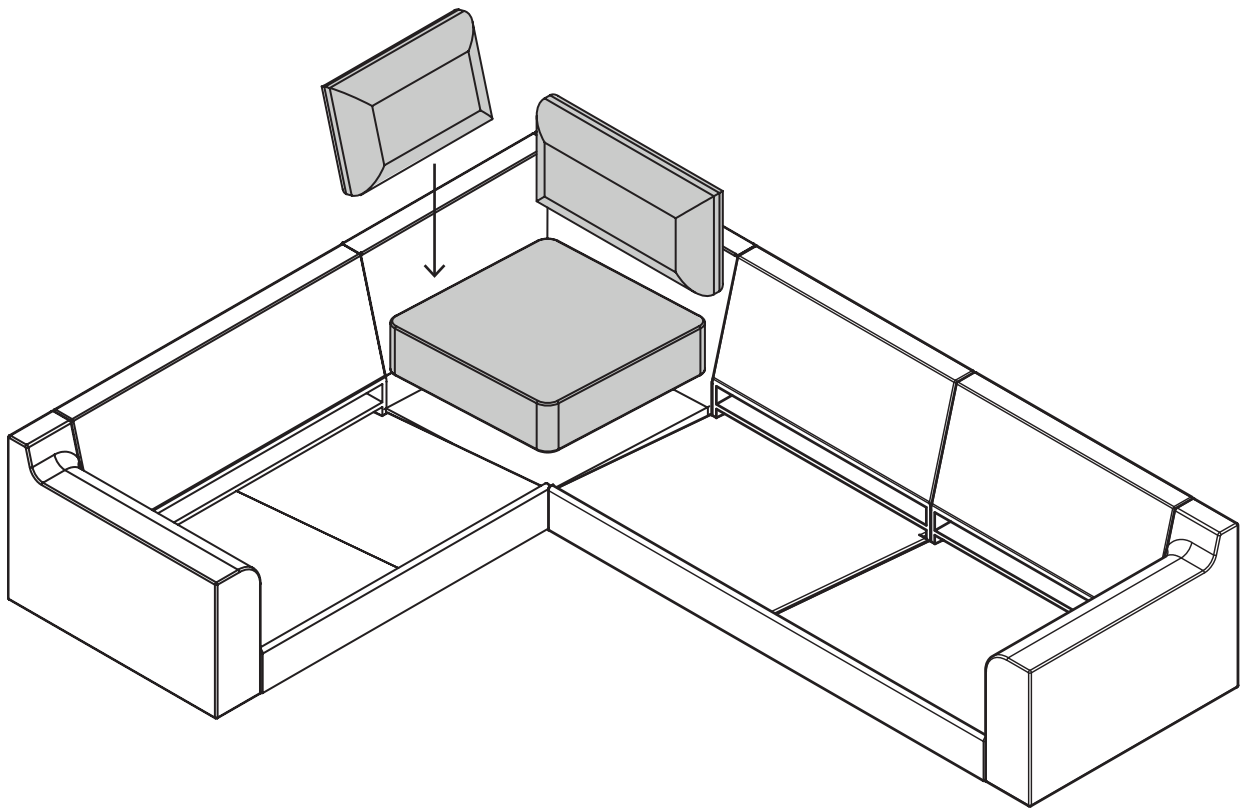


11

Add Corner Seat Cushion & Back Pillows

A

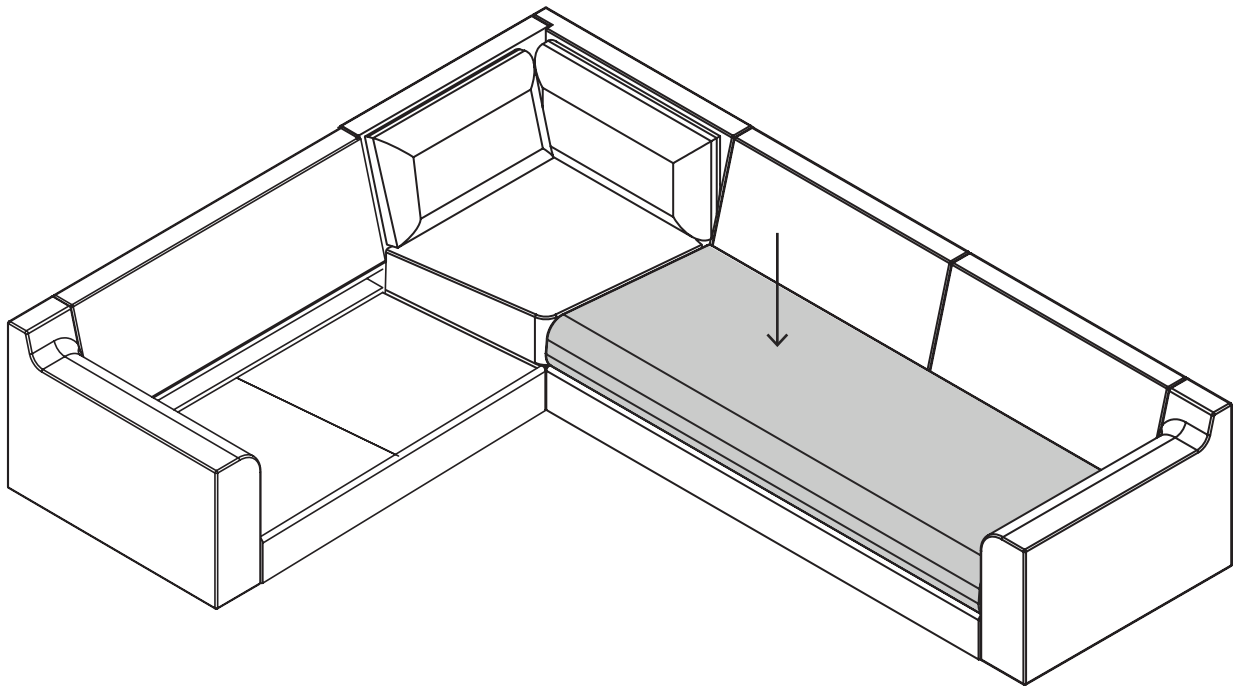
Place the Corner Seat Cushion on top of the Corner Seat Platform. Next, place the Corner Back Pillows onto the Corner Sectional with the longer pillow behind the shorter pillow.



12

Add Sofa Seat Cushion & Sofa Back Pillows

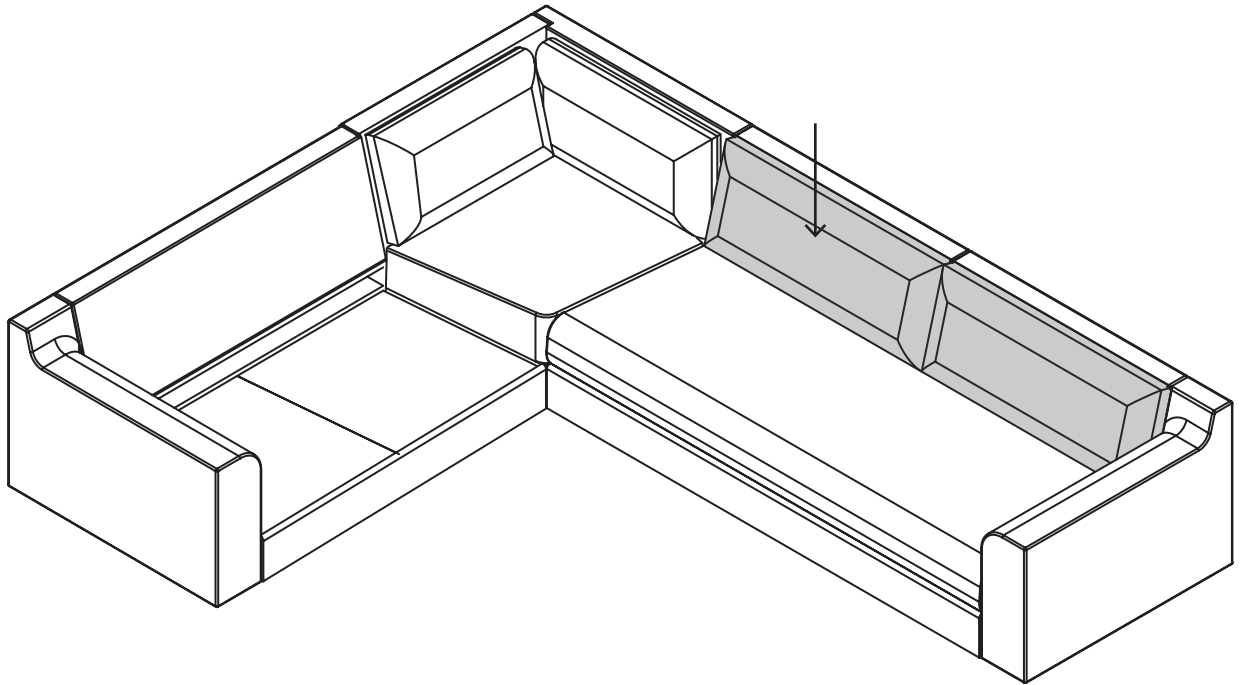
A Place the Sofa Cushions onto the Seat Platforms.



12

Add Sofa Seat Cushion & Sofa Back Pillows

- B** Place Sofa Back Pillows onto to longer end of the Reversible L Corner Sectional.

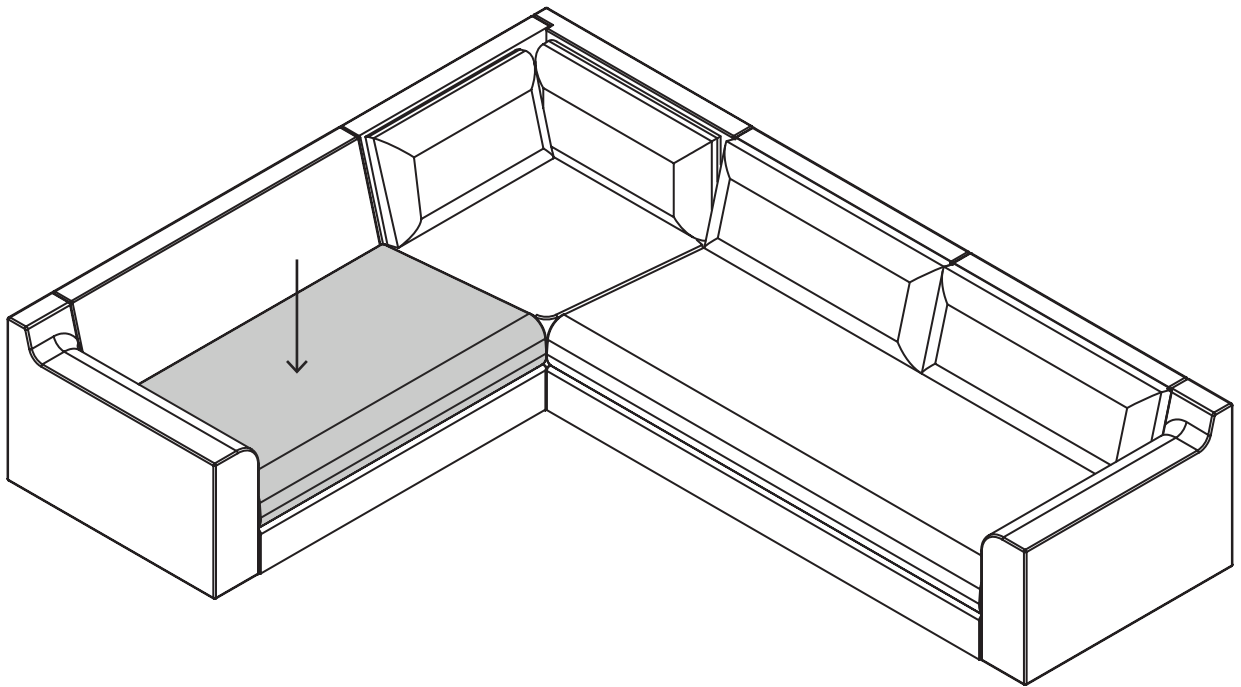


13

Add Loveseat Cushion & Back Pillows

A

Place the Loveseat Cushion onto the remaining Seat Platforms.

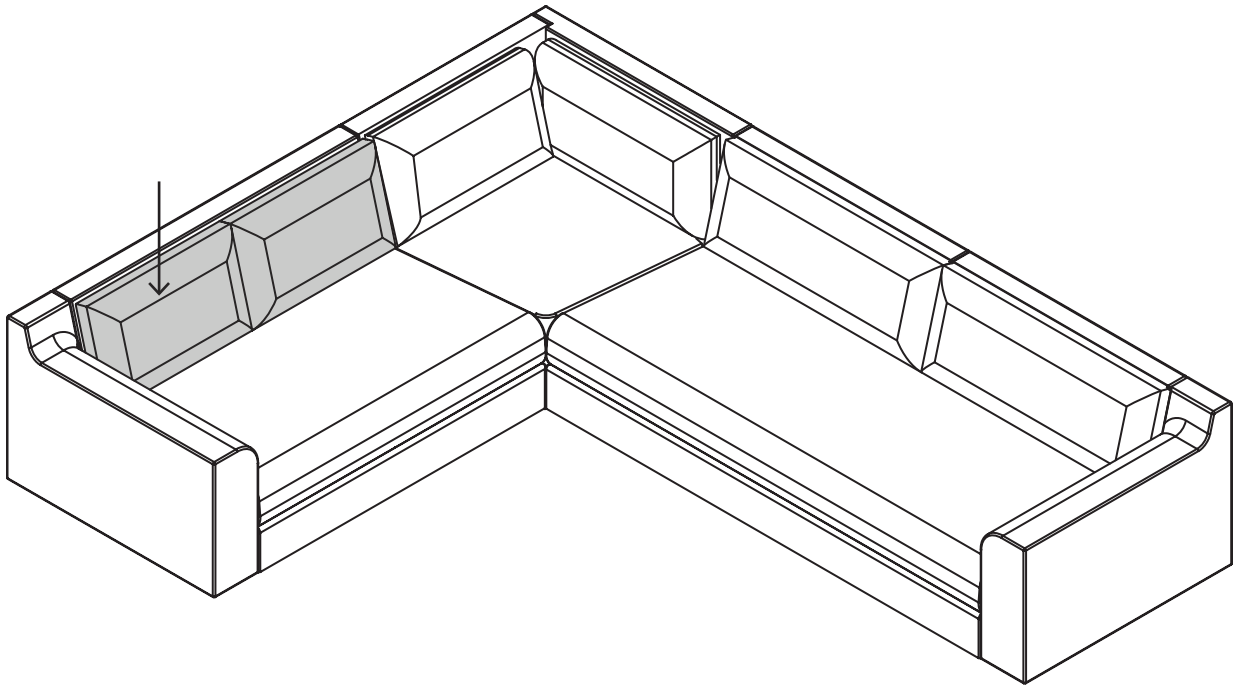


13

Add Loveseat Cushion & Back Pillows

B

Place Loveseat Back Pillows onto to shorter end of the Reversible L Corner Sectional.



SABAI.DESIGN