

SABAI

Designing the Difference

THE ELEVATE CHAIR

Welcome to Sabai

Sabai is designing the difference.

We've minimized your furniture's impact on the environment, from the materials, to the manufacturing process, to programs to extend its life cycle.

Our products are 100% vegan and are made from a combination of recycled, upcycled, and biodegradable materials.

We utilize mechanical fasteners (rather than glue) to ensure that our materials remain recyclable and that we are keeping our manufacturing team safe.

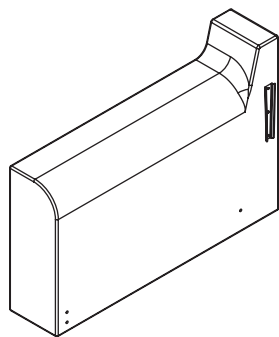
To make sure our furniture stays out of landfills, we've launched two programs under our Sabai Standard: The Repair Don't Replace and Sabai Revive resale programs.

After a simple assembly, you can rest easy with Sabai.

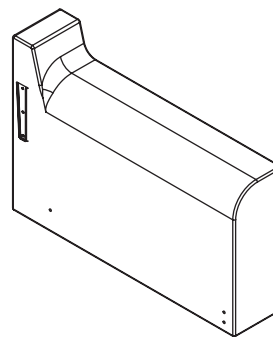
This guide makes assembly a cinch. If you still have questions, you can reach our customer service team at customer@sabai.design and we'll respond within 24 hours.

Components

ARMS
X 2

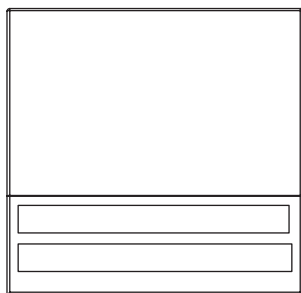


LEFT ARM

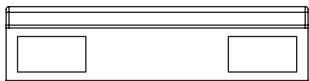


RIGHT ARM

BACK



FRONT RAIL



SEAT PLATFORM

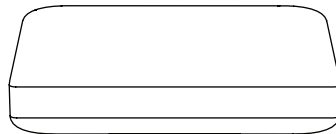


Components

SEAT CUSHION

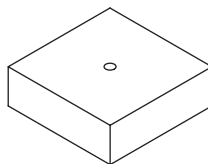


BACK PILLOW



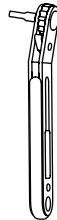
LEGS

X 6



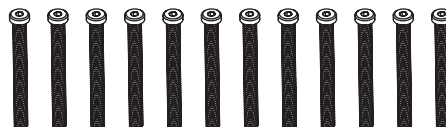
SQUARE LEG

RATCHET WRENCH



METAL BOLTS

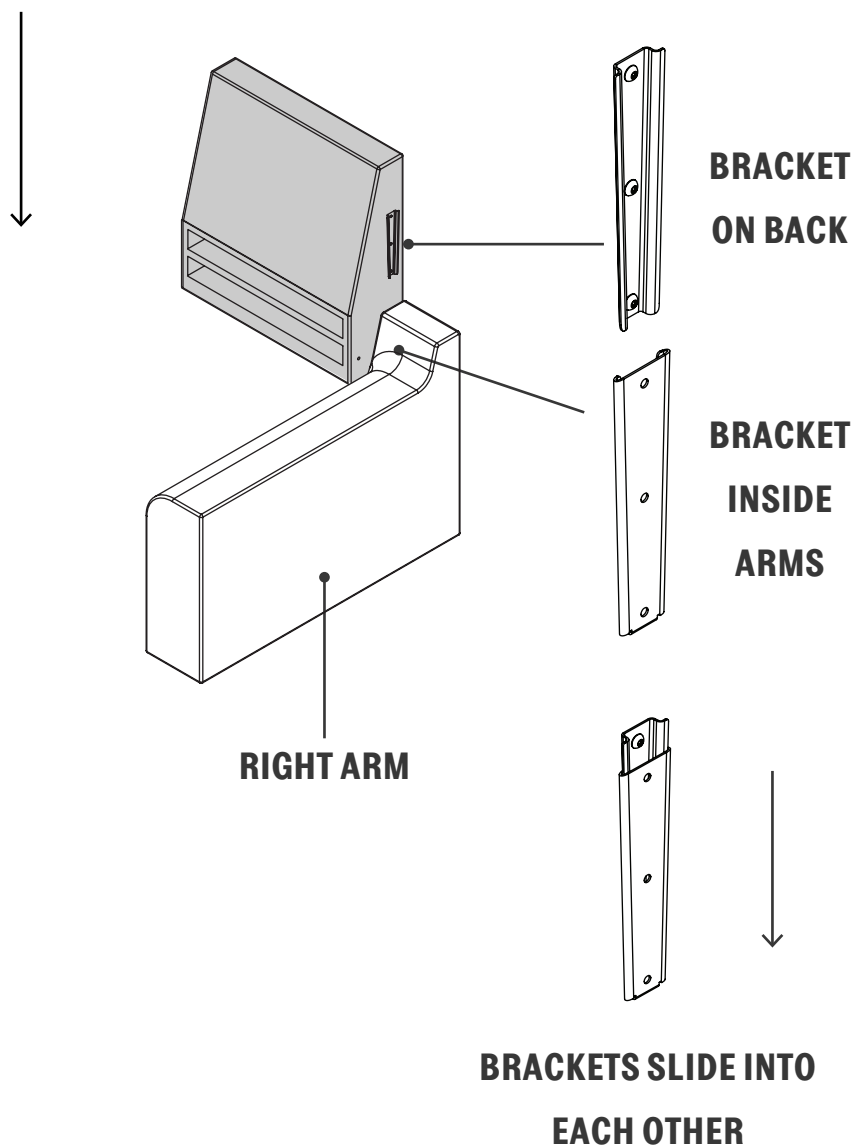
X 12



Note: The listed bolt quantity reflects how many bolts are needed for assembly, but you have been provided with extra bolts just in case they're needed.

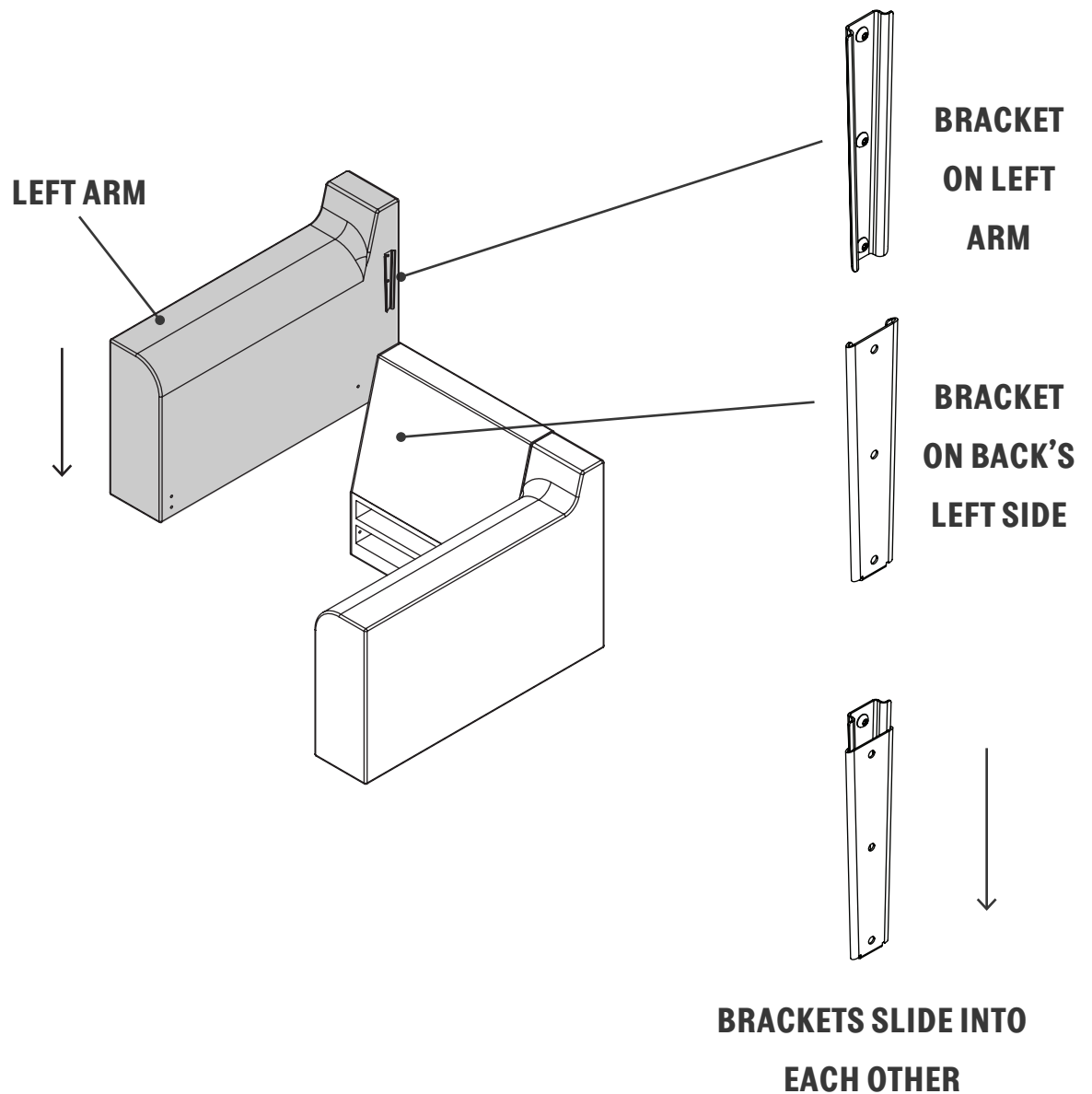
1 Attach Back to Arms

- A** Take the Back and the Right Arm and align the brackets on both pieces. Slide the Back down to line up with the bottom of the Arm.



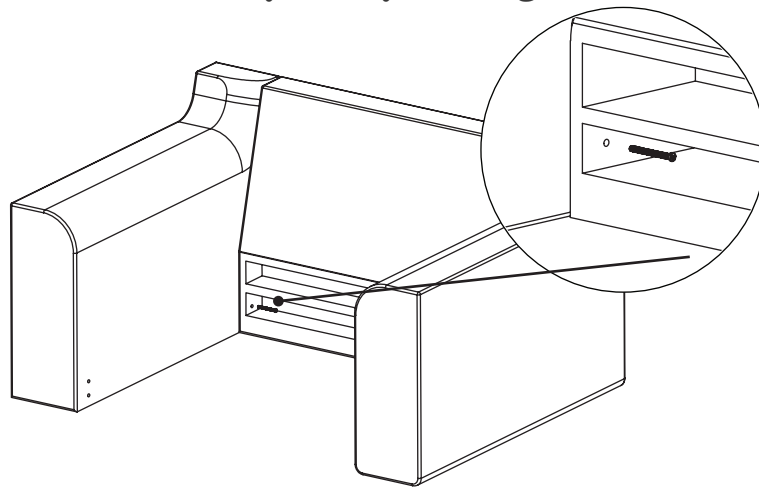
1 Attach Back to Arms

- B** Take the Left Arm and align it to the bracket on the Back. Slide the arm down until the bottom of both pieces are aligned.

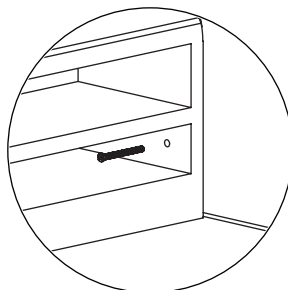


2 Secure Back to Arms

- A** Take one Bolt and insert it into the hole in the back cavity that lines up with a hole on the Arm. Screw the Bolt in loosely with your fingers.



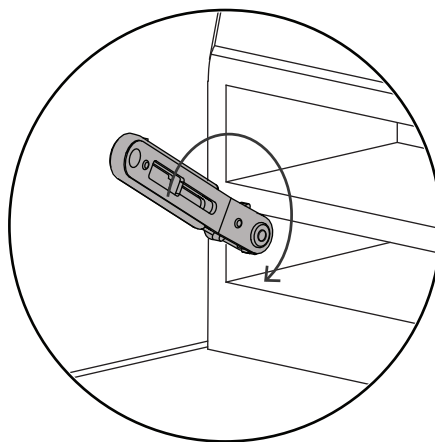
- B** Take a second Bolt and insert it into the hole in the opposite back cavity that aligns with a hole on the Arm. Screw the Bolt in loosely with your fingers.



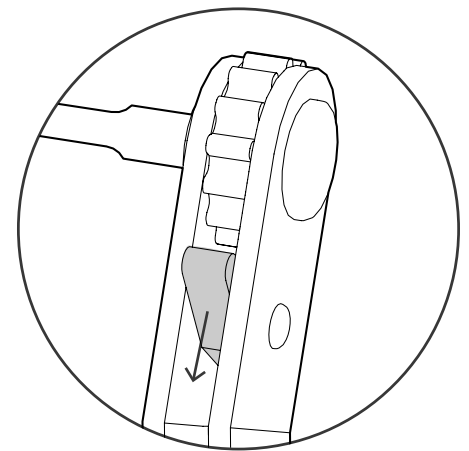
2 Secure Back to Arms

- C** Tighten both Bolts firmly in place using the Ratchet Wrench. The Ratchet Wrench allows you to tighten the Bolt without having to remove the wrench from the bolt each time you have reached the limit of how far it can go in that direction. Instead, you can simply go back in the opposite direction without moving the bolt and continue tightening. The same applies when you are loosening a bolt.

Make sure the switch on the side is flipped down when tightening, and up when loosening.



+ REPEAT ON OTHER SIDE

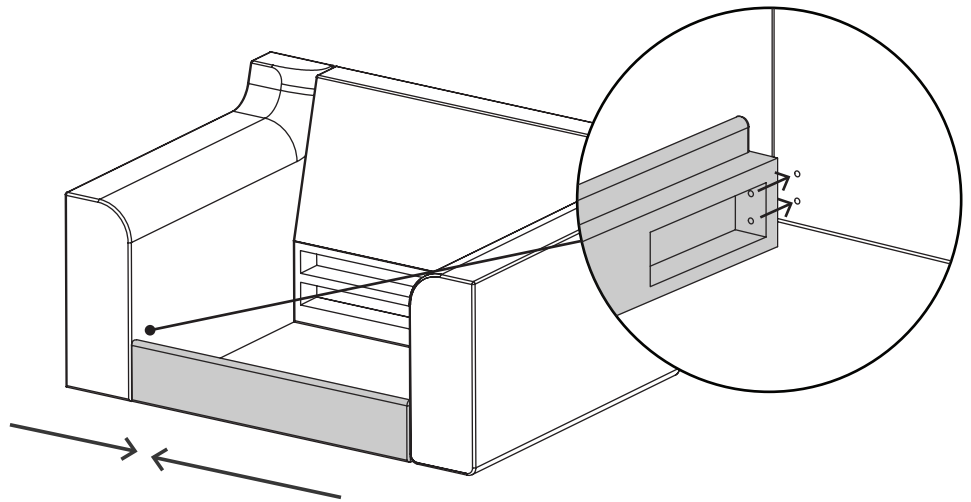


FLIP DOWN = TIGHTEN

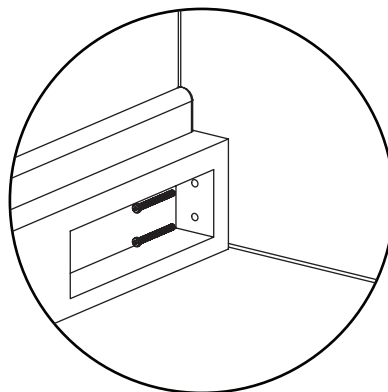
FLIP UP = LOOSEN

3 Secure Front Rail

A Line the Front Rail up between the two Arms.

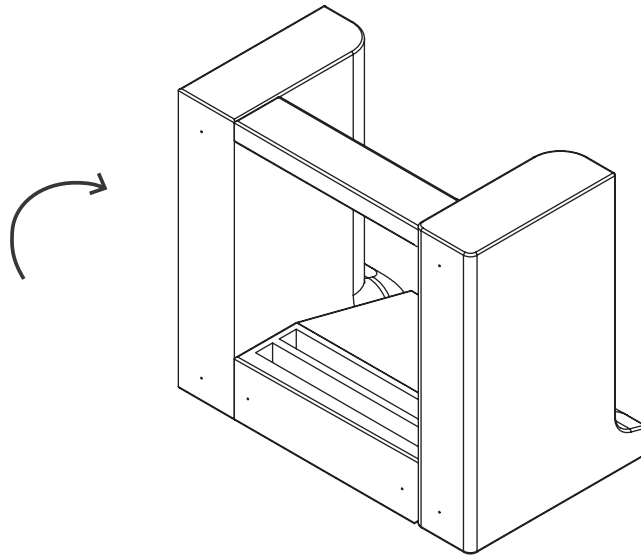


B Take two Bolts and insert them into the holes in the Front Rail that lines up with the holes in the Arms. Use the Ratchet Wrench to tighten the bolts firmly in place. Repeat on the opposite side.

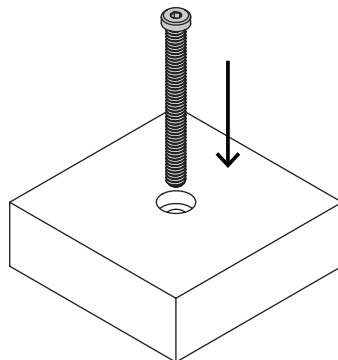


4 Attach Legs

A Flip the Chair on its back.

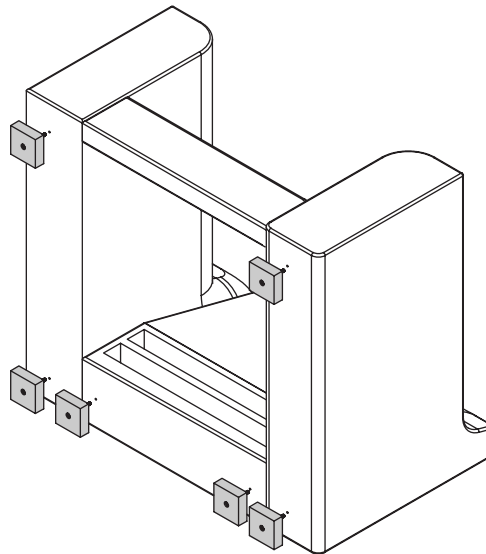


B Insert Bolts through the hole in each Leg. The head of the Bolt will sit within the with the larger drilled hole on the foot once tightened.



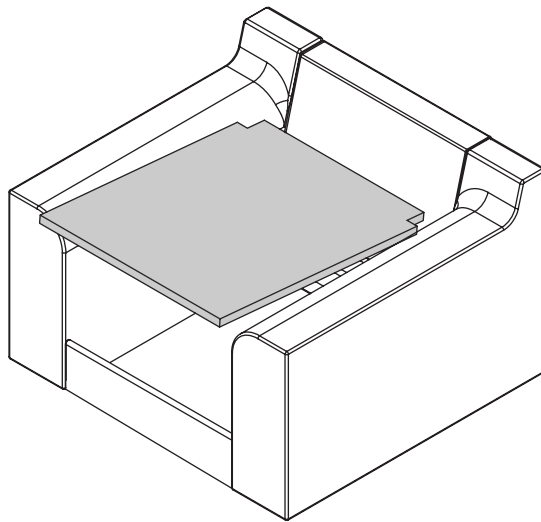
4 Attach Legs

- C** Align Square Legs to holes on the bottom of the Arms and Back. Screw in the Legs using the Ratchet Wrench.

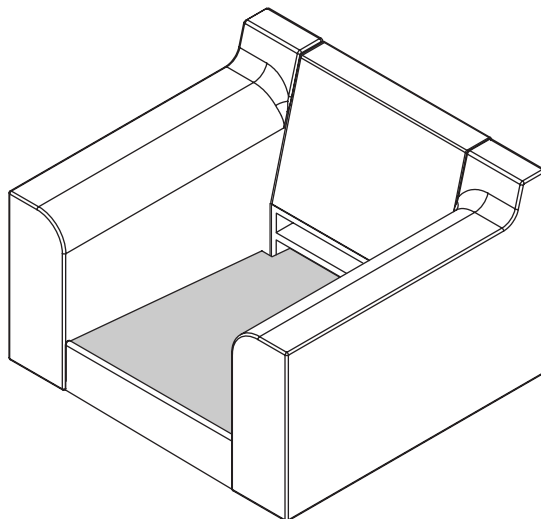


5 Lay Seat Platform

- A** Flip the Chair right side up. Lay the Platform into the lower cavity in the Back and along the Front Rail.

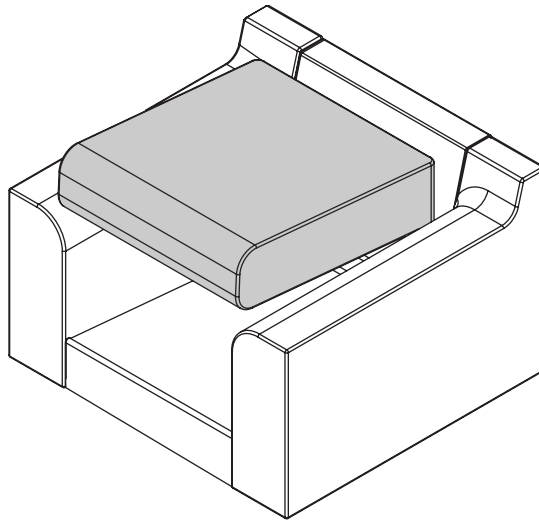


- B** The Platform should lie at an angle, slightly raised in the front to ensure a comfortable seating pitch.

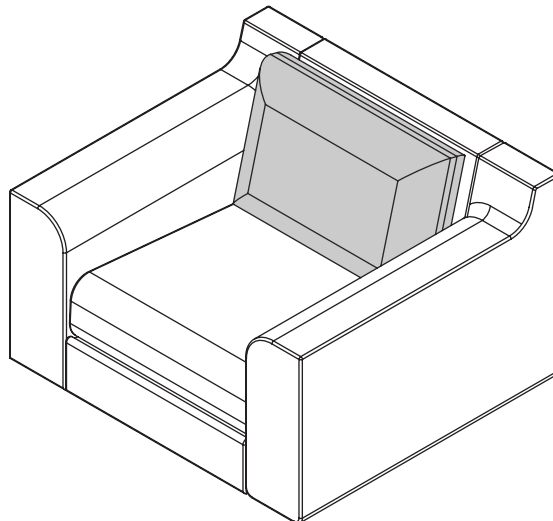


6 Add Cushion & Pillows

A Place the Seat Cushion onto the Chair.



B Place Back Pillows at the back of the Chair.



SABAI.DESIGN