

SABAI

Designing the Difference

THE ESSENTIAL STORAGE BENCH

Welcome to Sabai

Sabai is designing the difference.

We've minimized your furniture's impact on the environment, from the materials, to the manufacturing process, to programs to extend its life cycle.

Our products are 100% vegan and are made from a combination of recycled, upcycled, and biodegradable materials.

We utilize mechanical fasteners (rather than glue) to ensure that our materials remain recyclable and that we are keeping our manufacturing team safe.

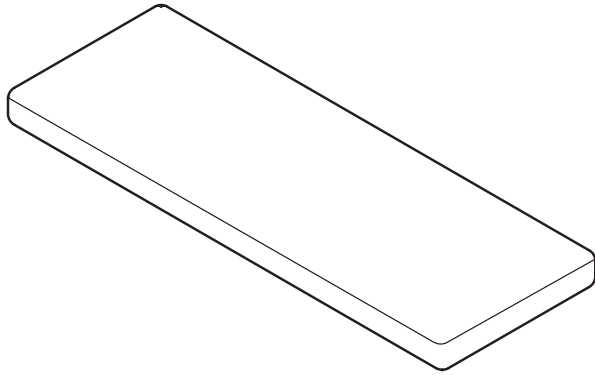
To make sure our furniture stays out of landfills, we've launched two programs under our Sabai Standard: The Repair Don't Replace and Sabai Revive resale programs.

After a simple assembly, you can rest easy with Sabai.

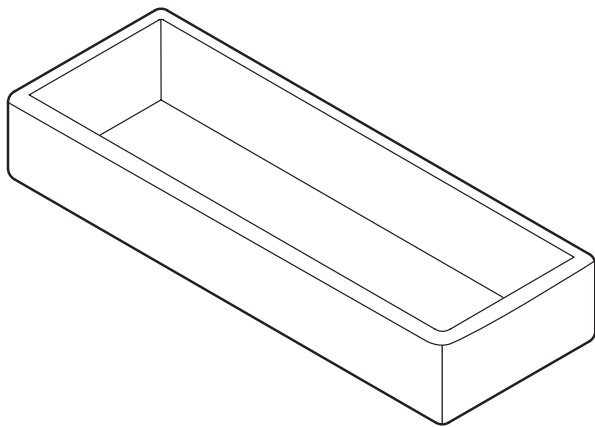
This guide makes assembly a cinch. If you still have questions, you can reach our customer service team at customer@sabai.design and we'll respond within 24 hours.

Components

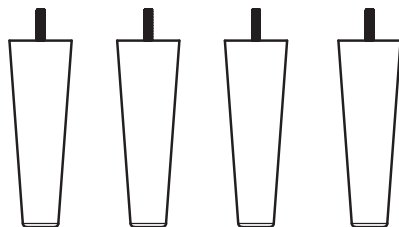
TOP
X 1



BASE
X 1



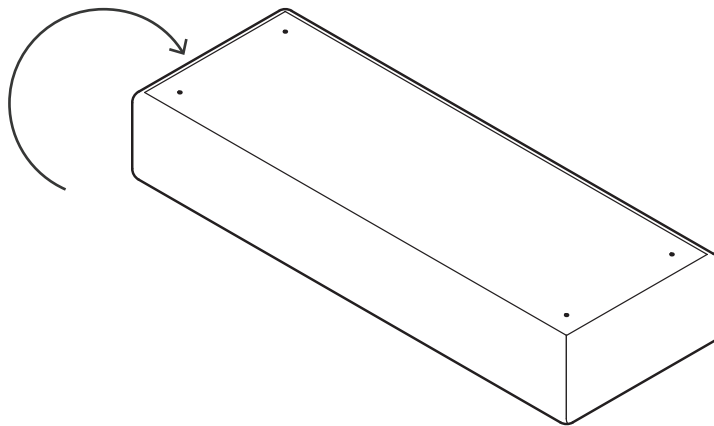
LEGS
X 4



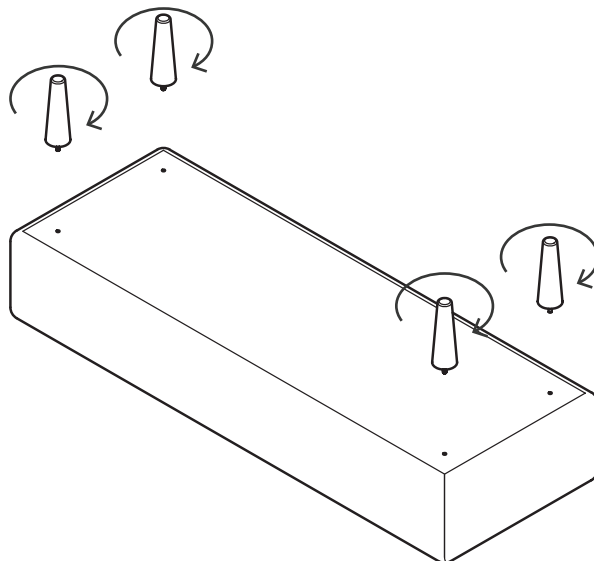
Note: Legs illustrated here are the Natural or Dark Brown legs. The assembly for either the Metal or Cylinder legs is the same.

1 Attach Legs

A Flip over the Storage Bench Base.

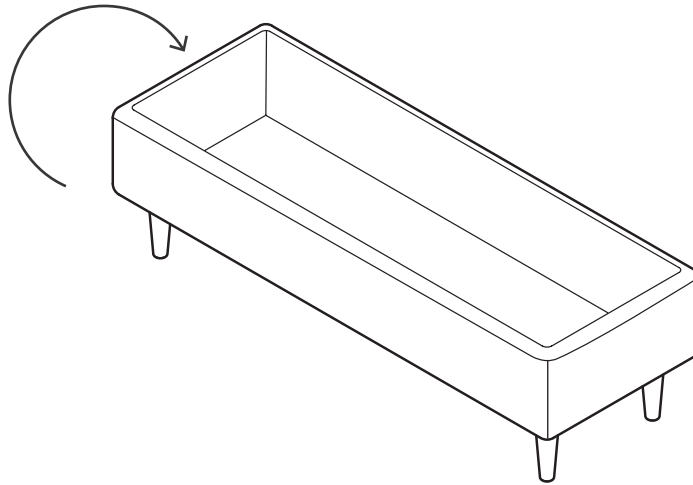


B Screw on the 4 Legs at each outer corner on the Base.

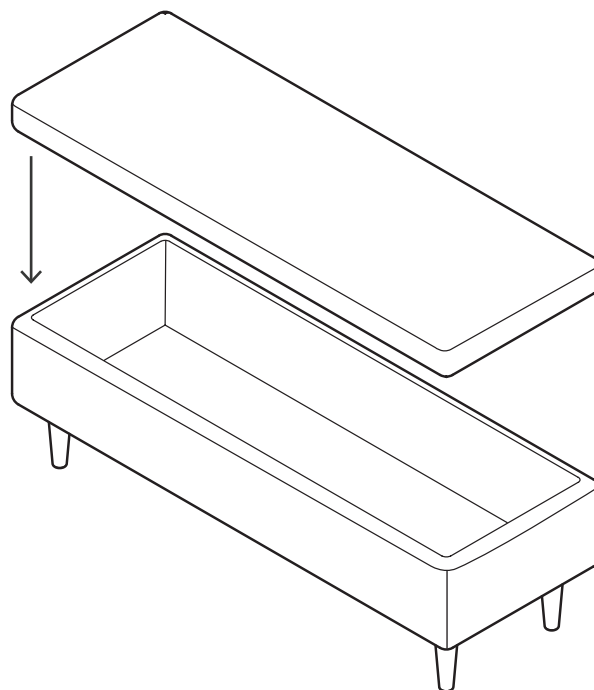


2 Add Top

A Flip over the Storage Bench Base back over.



B Place the Top onto the Base aligning the inner lip with the inside of the Base.



SABAI.DESIGN