

# SABAI

Designing the Difference

**THE ESSENTIAL SOFA**

# Welcome to Sabai

---

Sabai is designing the difference.

We've minimized your furniture's impact on the environment, from the materials, to the manufacturing process, to programs to extend its life cycle.

Our products are 100% vegan and are made from a combination of recycled, upcycled, and biodegradable materials.

We utilize mechanical fasteners (rather than glue) to ensure that our materials remain recyclable and that we are keeping our manufacturing team safe.

---

To make sure our furniture stays out of landfills, we've launched two programs under our Sabai Standard: The Repair Don't Replace and Sabai Revive resale programs.

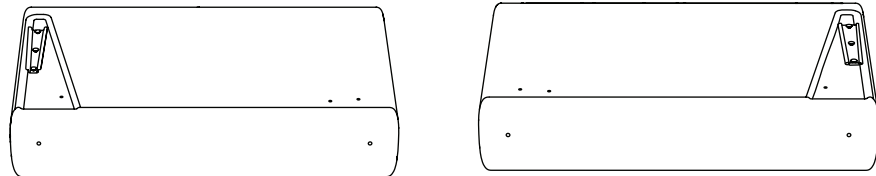
After a simple assembly, you can rest easy with Sabai.

This guide makes assembly a cinch. If you still have questions, you can reach our customer service team at [customer@sabai.design](mailto:customer@sabai.design) and we'll respond within 24 hours.

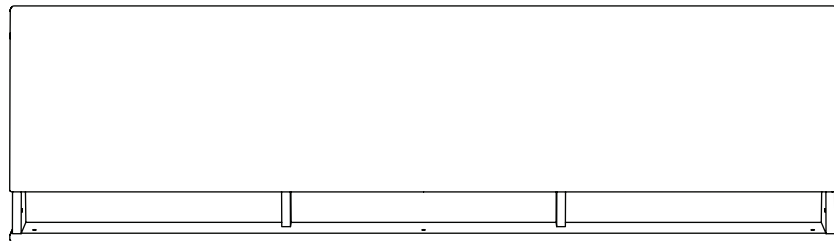
# Components

---

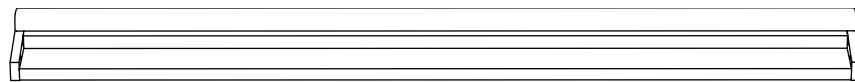
**ARMS**  
X 2



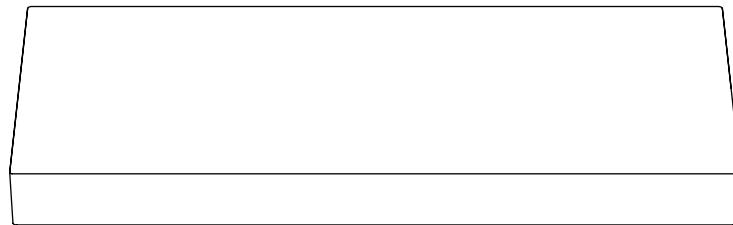
**BACK**



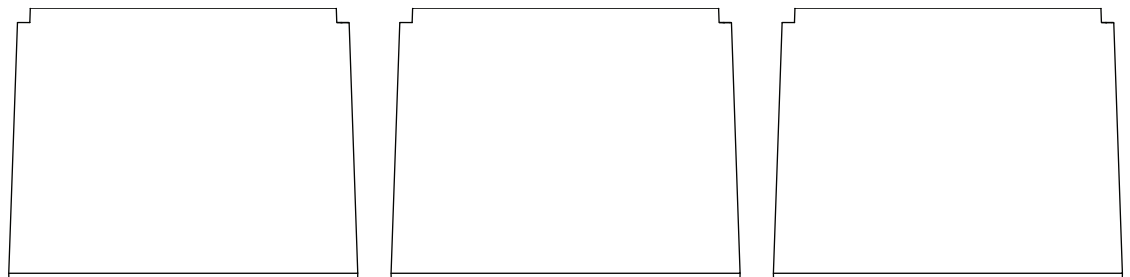
**FRONT RAIL**



**SEAT CUSHION**



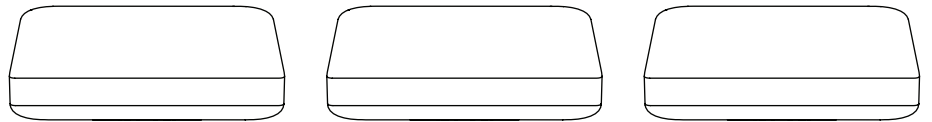
**SEAT PANELS**  
X 3



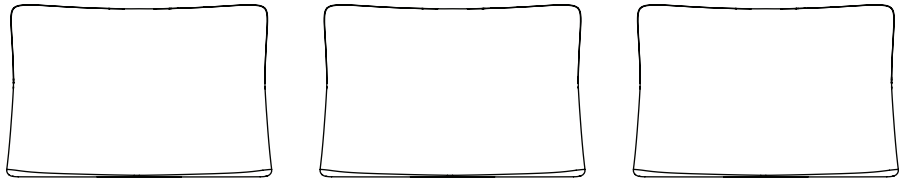
# Components

---

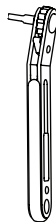
**BACK PILLOWS**  
X 3



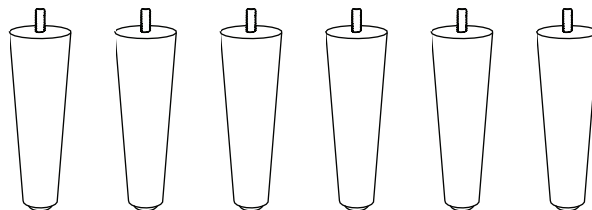
**BACK PILLOW COVERS**  
X 3



**RATCHET WRENCH**



**LEGS**  
X 6



**METAL BOLTS**  
X 6

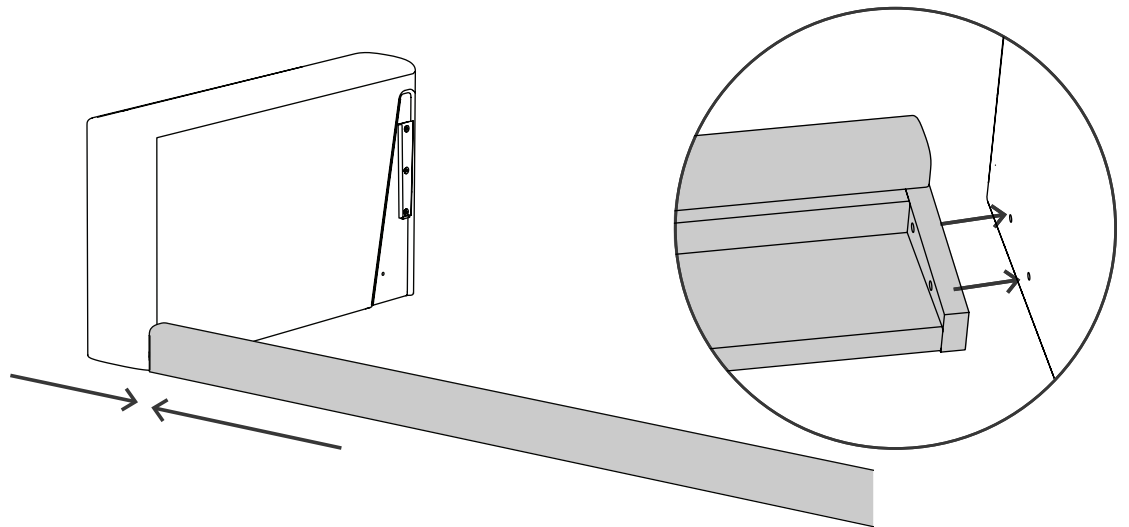


Note: The listed bolt quantity reflects how many bolts are needed for assembly, but you have been provided with extra bolts just in case they're needed.

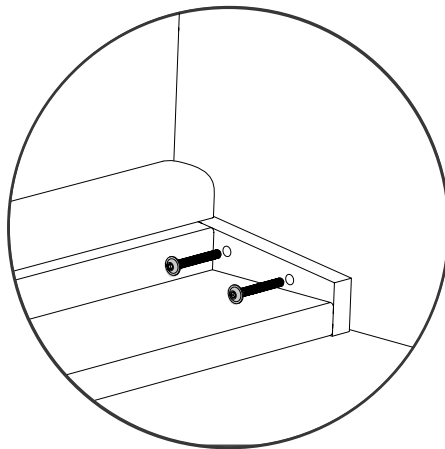
# 1 Secure Front Rail

---

**A** Line the front rail up with an arm.



**B** Take 2 bolts and insert them into the holes in the front rail that lines up with the holes in the arms.

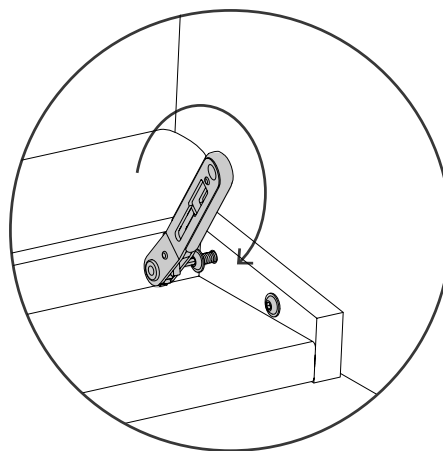


# 1 Secure Front Rail

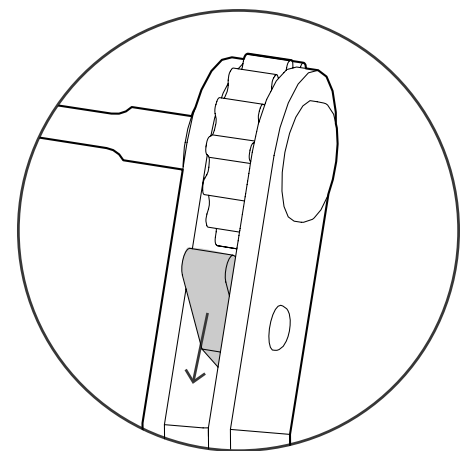
---

- C** Use the ratchet wrench to tighten the bolts until they are firmly in place. The ratchet wrench allows you to tighten the bolt without having to remove the wrench from the bolt each time you have reached the limit of how far it can go in that direction. Instead, you can simply go back in the opposite direction without moving the bolt and continue tightening. The same applies when you are loosening a bolt.

Make sure the switch on the side is flipped down when tightening, and up when loosening. Repeat with the other arm.



**+ REPEAT ON OTHER SIDE**



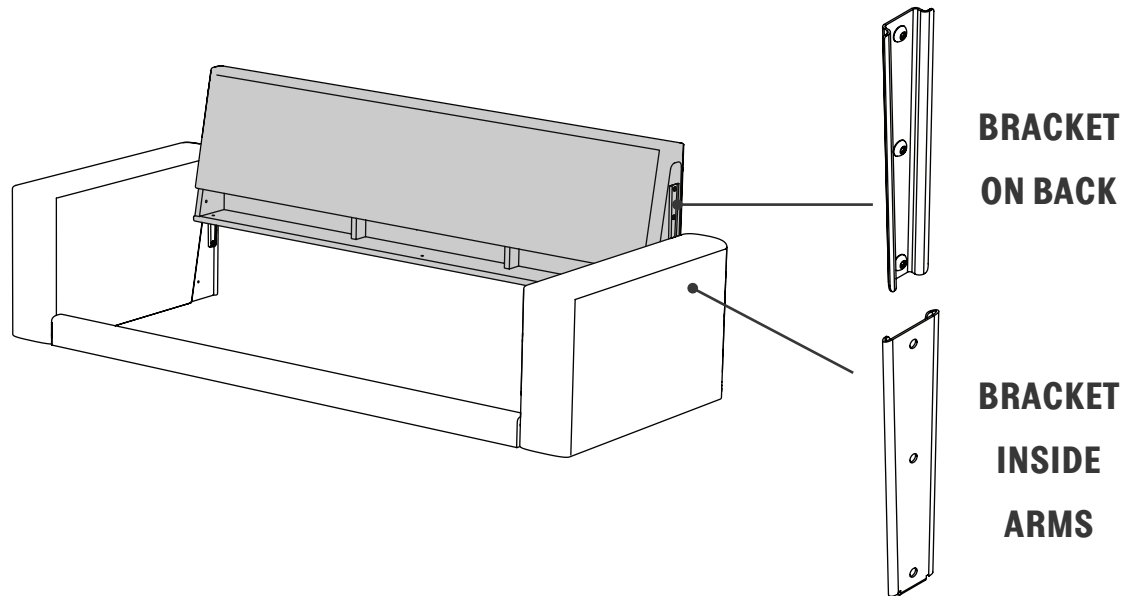
**FLIP DOWN = TIGHTEN**

**FLIP UP = LOOSEN**

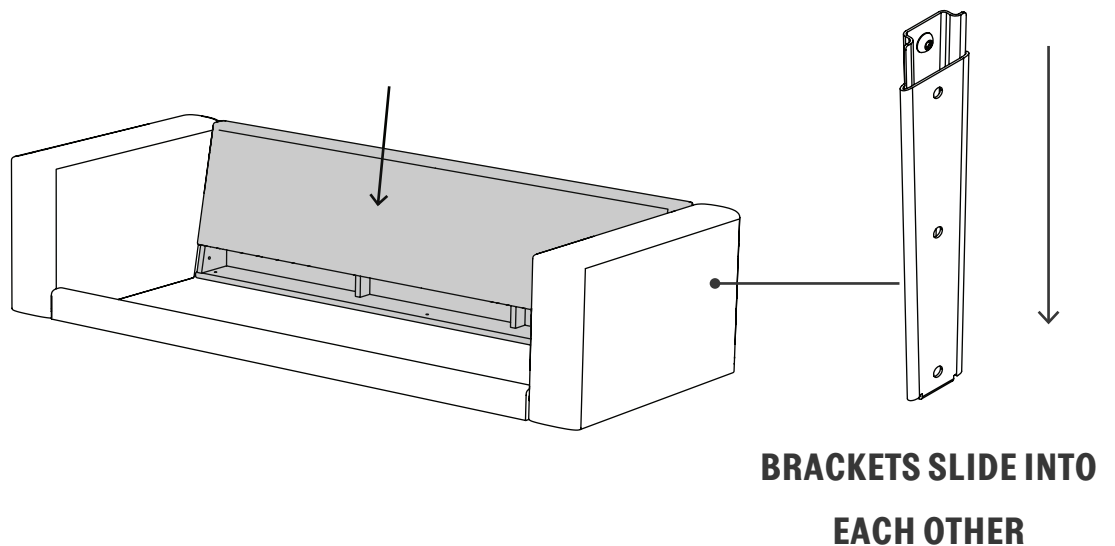
# 2 Slide in Back

---

- A** Take the back piece and align the brackets on the sides of the back with the brackets on each arm.



- B** Make sure the brackets line up before sliding the back piece down.

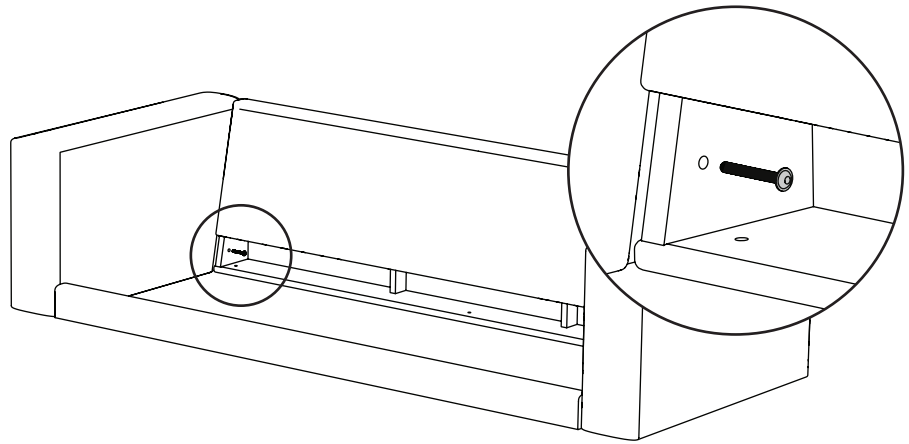




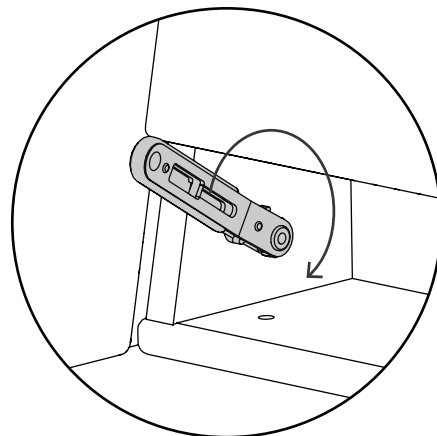
# 3 Secure Back

---

- A** Take 1 bolt and insert it into the hole on the back cavity that lines up with a hole on the arm.



- B** Tighten the bolt until firmly in place. Repeat with the other side of the front rail/arm.

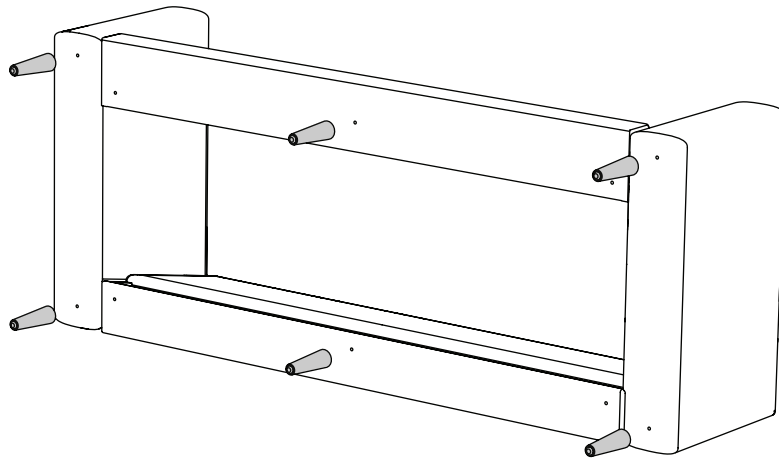


**+ REPEAT ON OTHER SIDE**

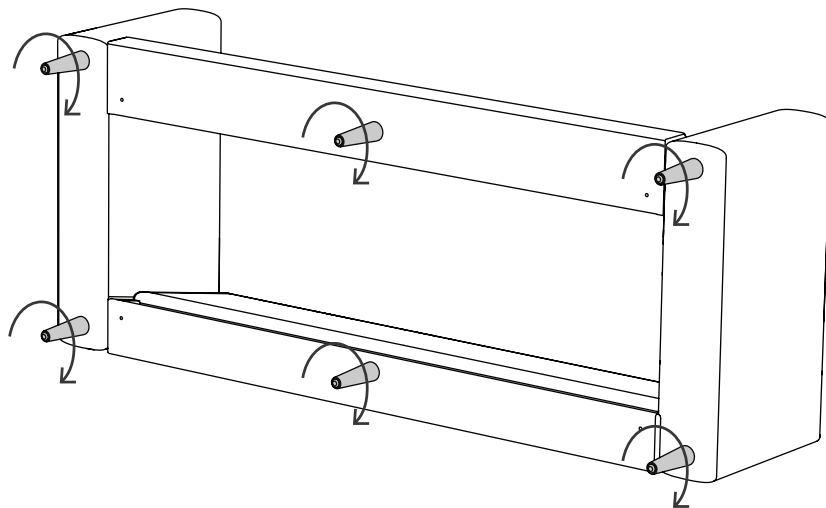
# 4 Screw in Legs

---

**A** Flip the Sofa on its back.



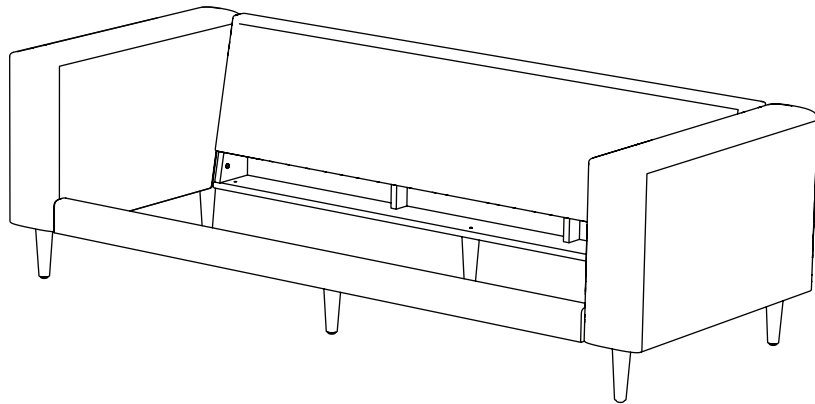
**B** Screw in the legs.



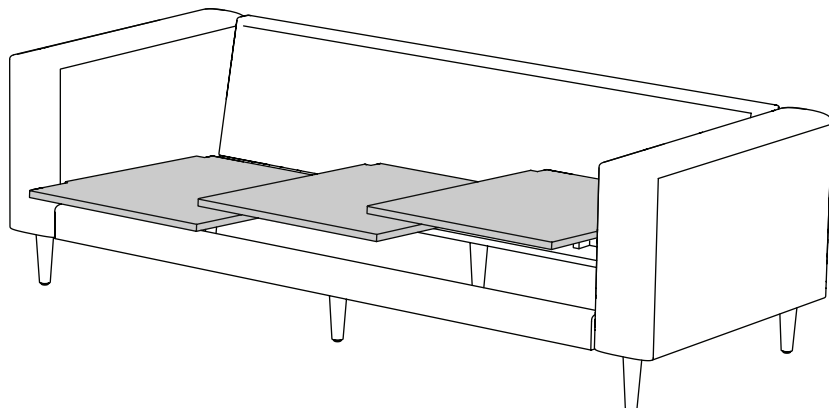
# 5 Lay Platforms

---

- A** Flip sofa right side up. Lay platforms across the back and front rail.



- B** Platforms should lie at an angle, slightly raised in the front to ensure a comfortable seating pitch.

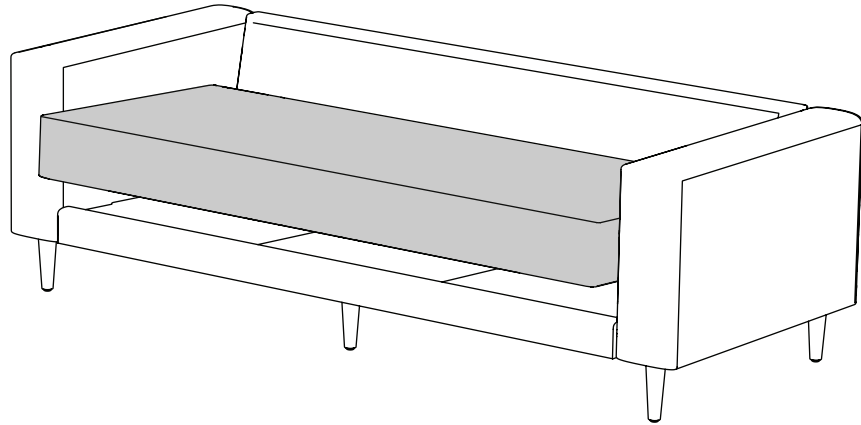


# 6 Add Cushion

---

**A**

Place the seat onto the sofa.

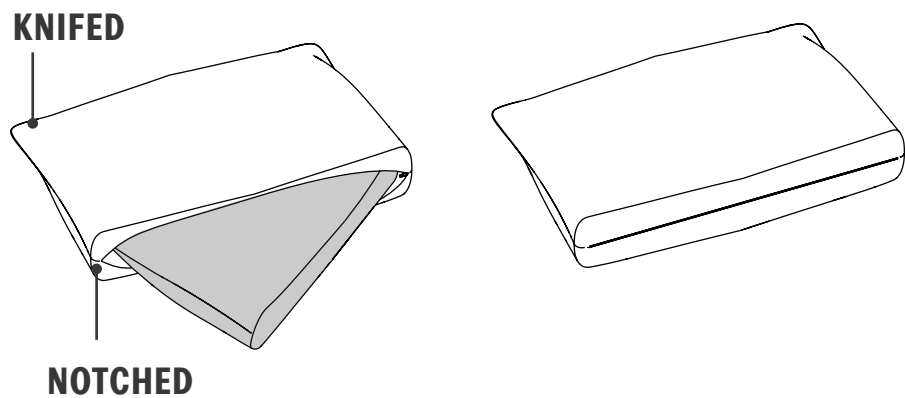


## 7

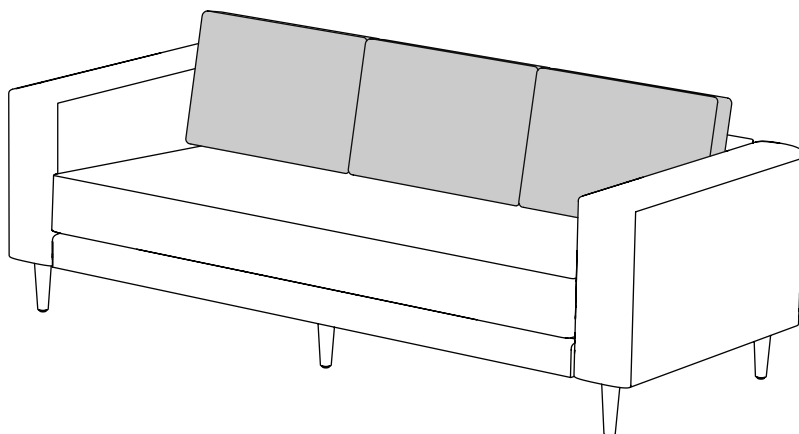
# Stuff & Add Pillows

---

- A** Stuff each pillow into a pillowcase, making sure that the “knifed” and “notches” edges match with the pillowcase.



- B** Place the pillows at the back of the sofa.



**SABAI.DESIGN**