

SABAI

Designing the Difference

THE ESSENTIAL SECTIONAL

Welcome to Sabai

Sabai is designing the difference.

We've minimized your furniture's impact on the environment, from the materials, to the manufacturing process, to programs to extend its life cycle.

Our products are 100% vegan and are made from a combination of recycled, upcycled, and biodegradable materials.

We utilize mechanical fasteners (rather than glue) to ensure that our materials remain recyclable and that we are keeping our manufacturing team safe.

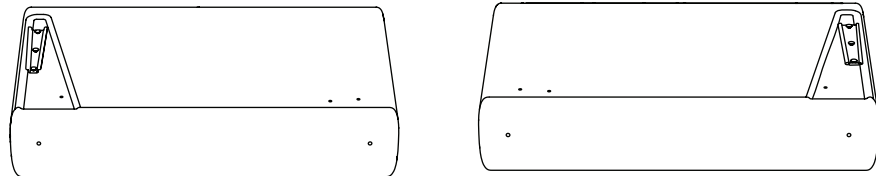
To make sure our furniture stays out of landfills, we've launched two programs under our Sabai Standard: The Repair Don't Replace and Sabai Revive resale programs.

After a simple assembly, you can rest easy with Sabai.

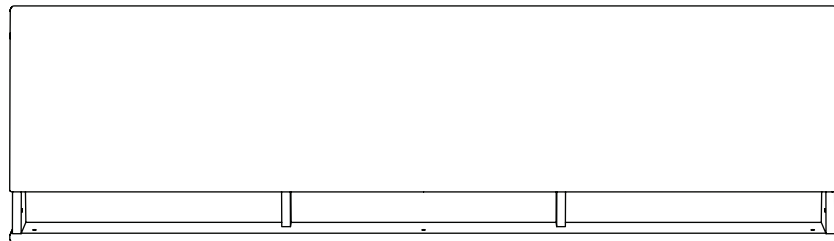
This guide makes assembly a cinch. If you still have questions, you can reach our customer service team at customer@sabai.design and we'll respond within 24 hours.

Components

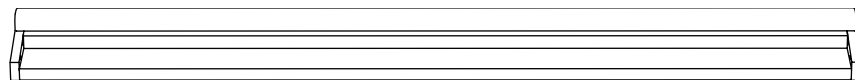
ARMS
X 2



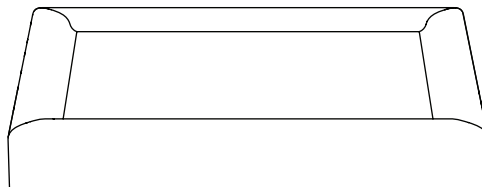
BACK



FRONT RAIL



OTTOMAN BASE

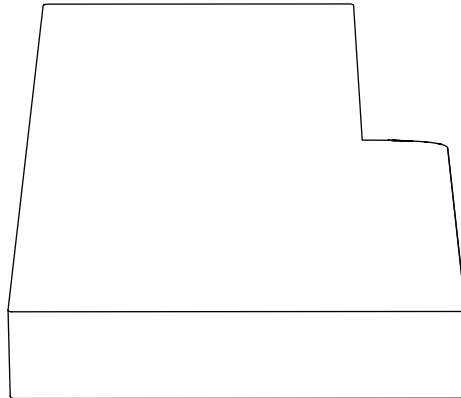


LOVESEAT CUSHION

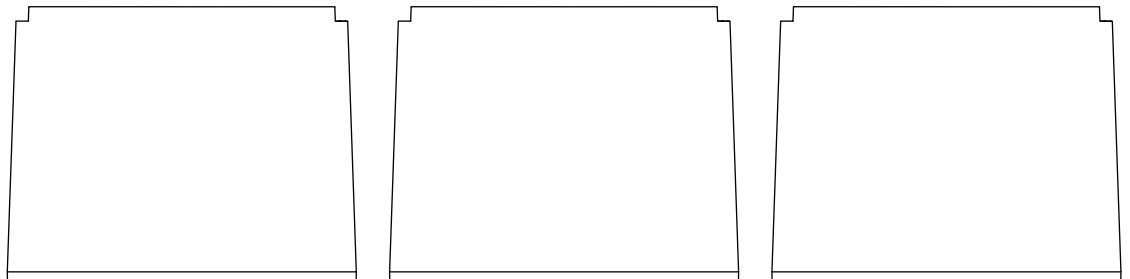


Components

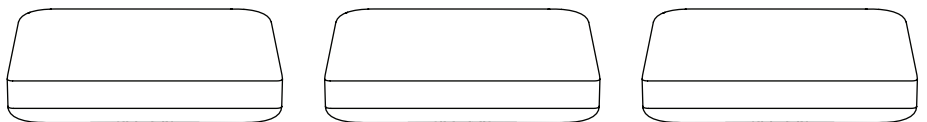
CHAISE CUSHION



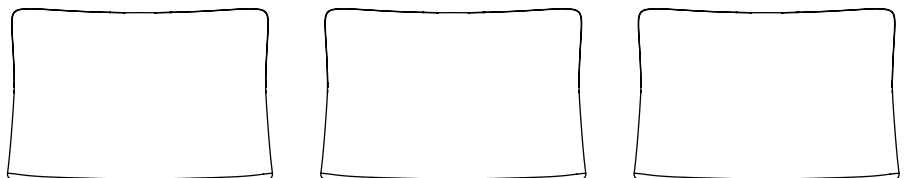
SEAT PANELS X 3



BACK PILLOWS X 3

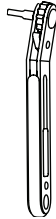


BACK PILLOW COVERS X 3



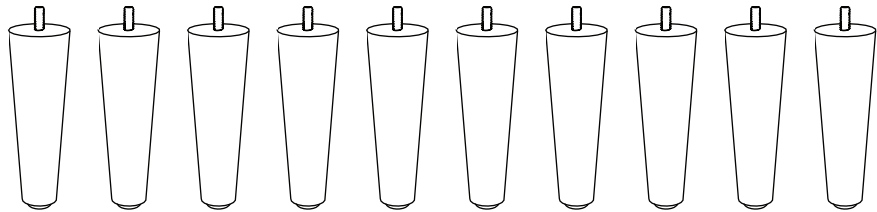
Components

RATCHET WRENCH



LEGS

X 10



OTTOMAN CONNECTORS

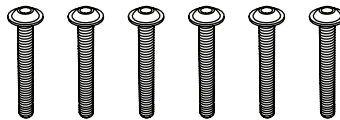
X 1 FABRIC STRIP

X 1 METAL LEG TO LEG



METAL BOLTS

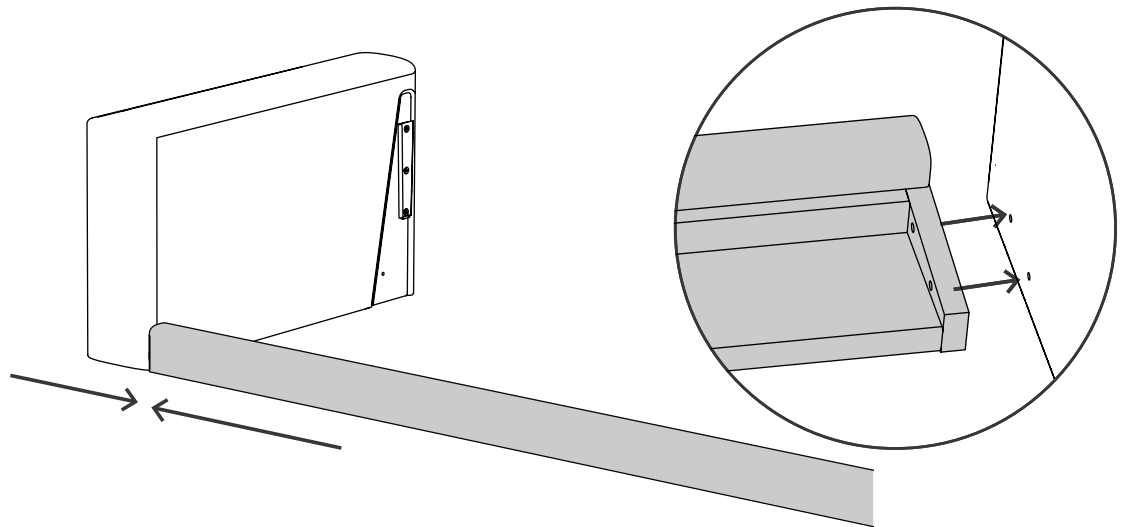
X 6



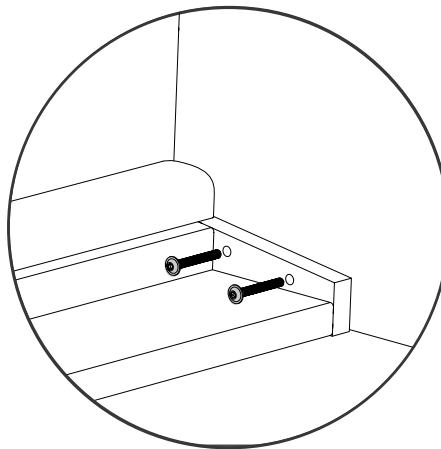
Note: The listed bolt quantity reflects how many bolts are needed for assembly, but you have been provided with extra bolts just in case they're needed.

1 Secure Front Rail

A Line the front rail up with an arm.



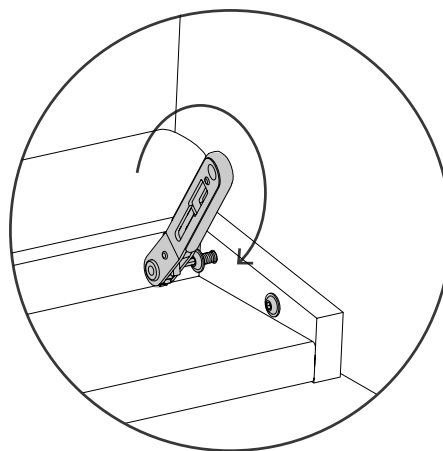
B Take 2 bolts and insert them into the holes in the front rail that lines up with the holes in the arms.



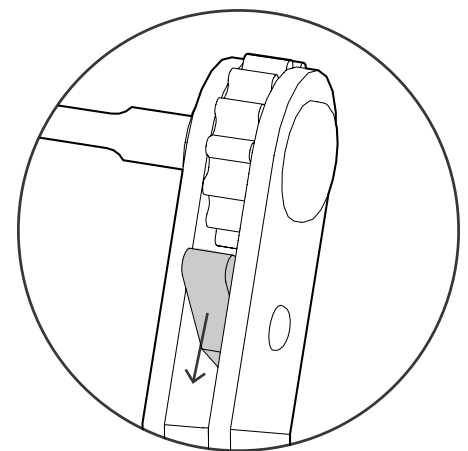
1 Secure Front Rail

- C** Use the ratchet wrench to tighten the bolts until they are firmly in place. The ratchet wrench allows you to tighten the bolt without having to remove the wrench from the bolt each time you have reached the limit of how far it can go in that direction. Instead, you can simply go back in the opposite direction without moving the bolt and continue tightening. The same applies when you are loosening a bolt.

Make sure the switch on the side is flipped down when tightening, and up when loosening. Repeat with the other arm.



+ REPEAT ON OTHER SIDE

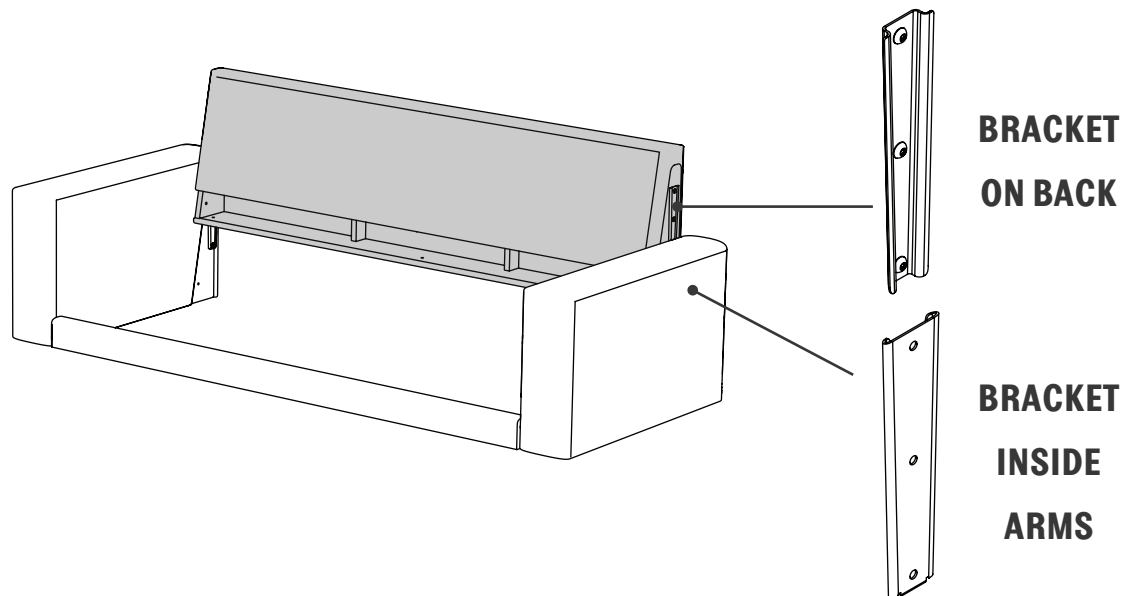


FLIP DOWN = TIGHTEN

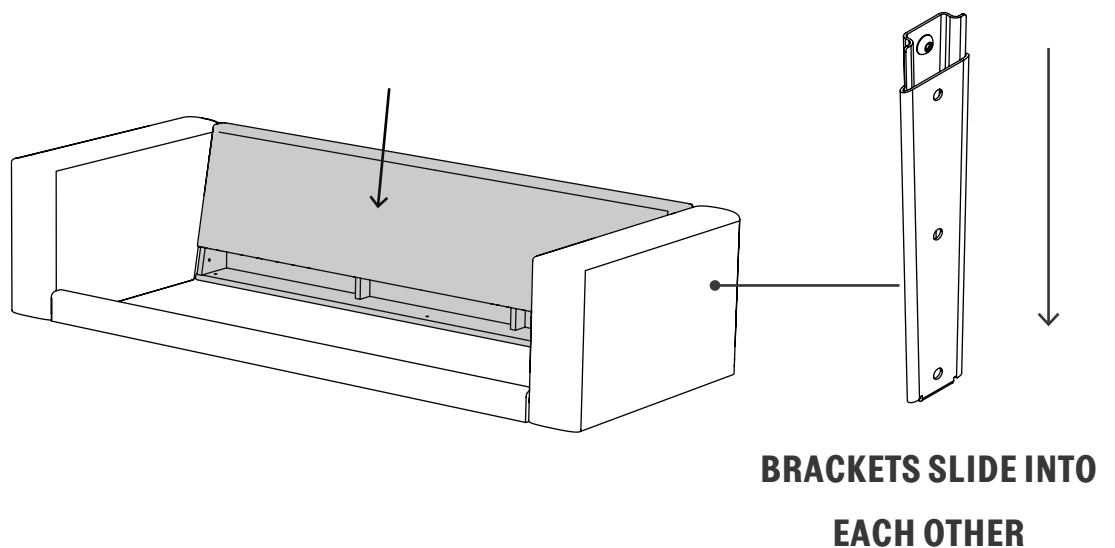
FLIP UP = LOOSEN

2 Slide in Back

- A** Take the back piece and align the brackets on the sides of the back with the brackets on each arm.

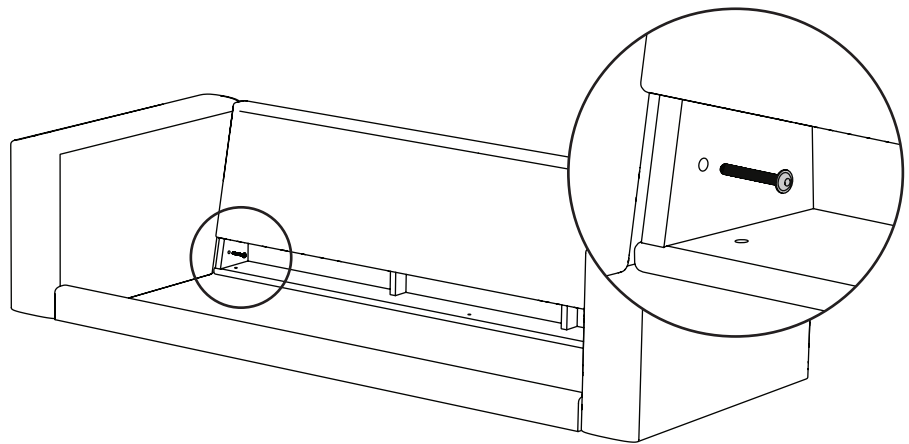


- B** Make sure the brackets line up before sliding the back piece down.

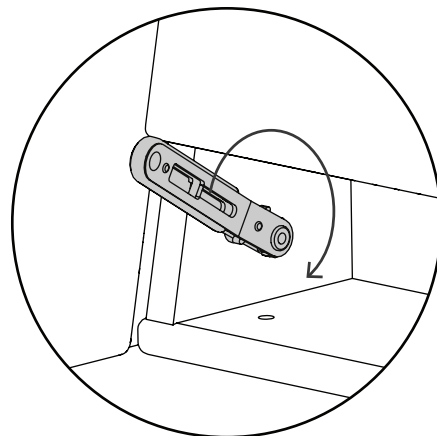


3 Secure Back

- A** Take 1 bolt and insert it into the hole on the back cavity that lines up with a hole on the arm.



- B** Tighten the bolt until firmly in place. Repeat with the other side of the front rail/arm.

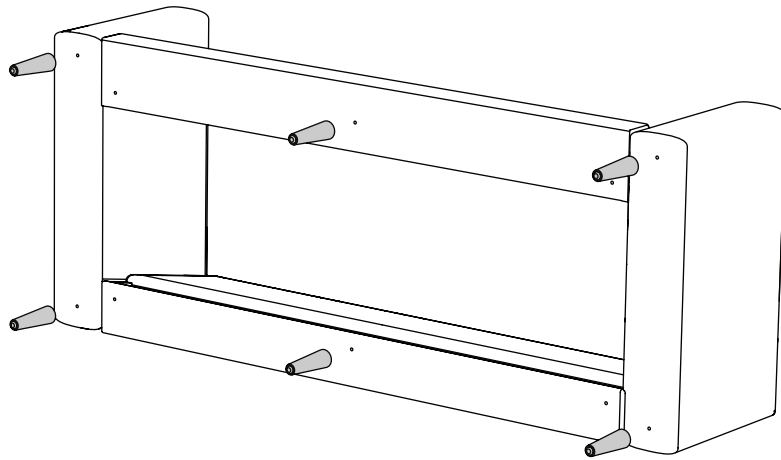


+ REPEAT ON OTHER SIDE

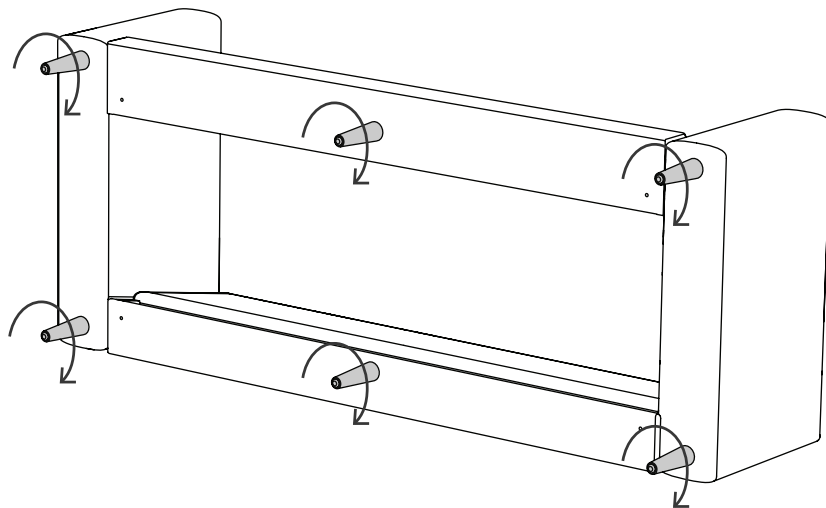
4 Screw in Legs

A

Flip the Sofa on its back.

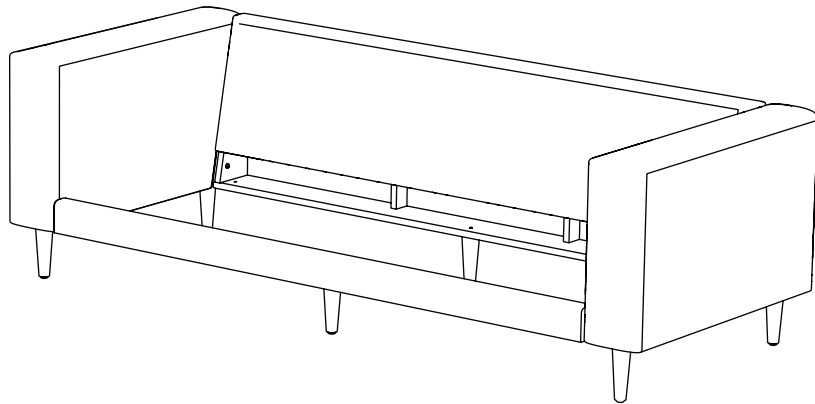
**B**

Screw in the legs.

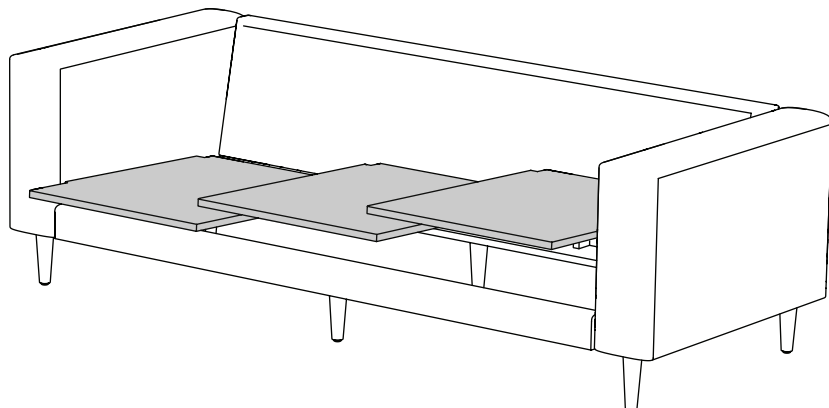


5 Lay Platforms

- A** Flip sofa right side up. Lay platforms across the back and front rail.

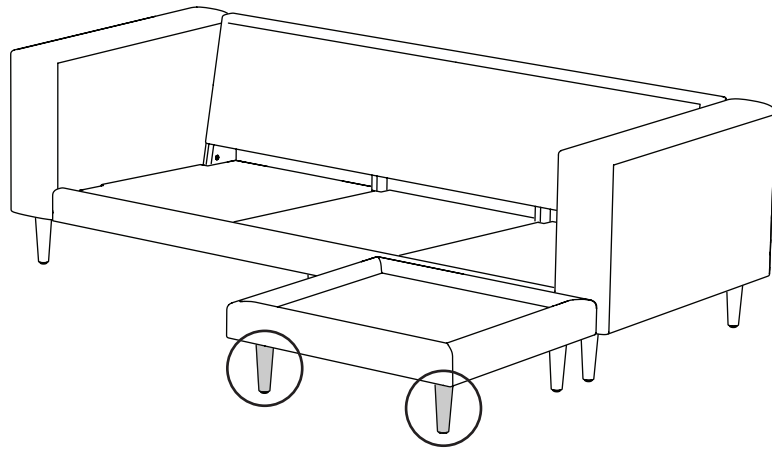


- B** Platforms should lie at an angle, slightly raised in the front to ensure a comfortable seating pitch.

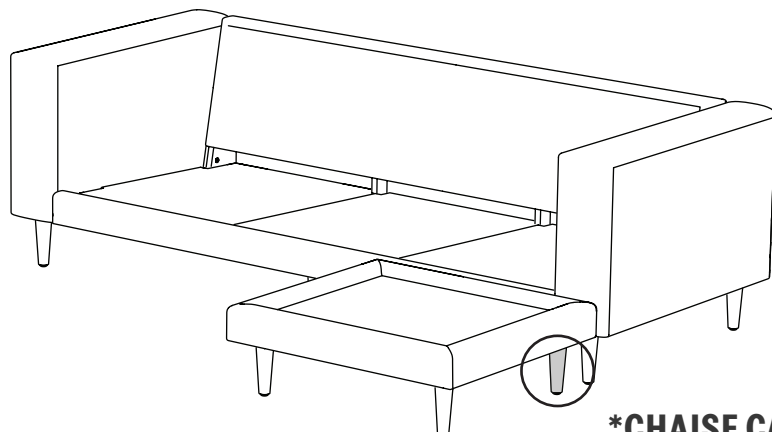


6 Prepare Ottoman

- A** Flip the Ottoman upside down and screw in the 2 legs furthest from the Sofa. The longer side of the Ottoman should run parallel to the Sofa and the end on the Ottoman should line up with the outer edge of the arm.



- B** Screw in the outer leg that lines up with the arm, but not all the way to leave room for the Metal Leg to Leg Connector. Flip the Ottoman right side up.



***CHAISE CAN ALSO BE
POSITIONED ON THE LEFT SIDE**

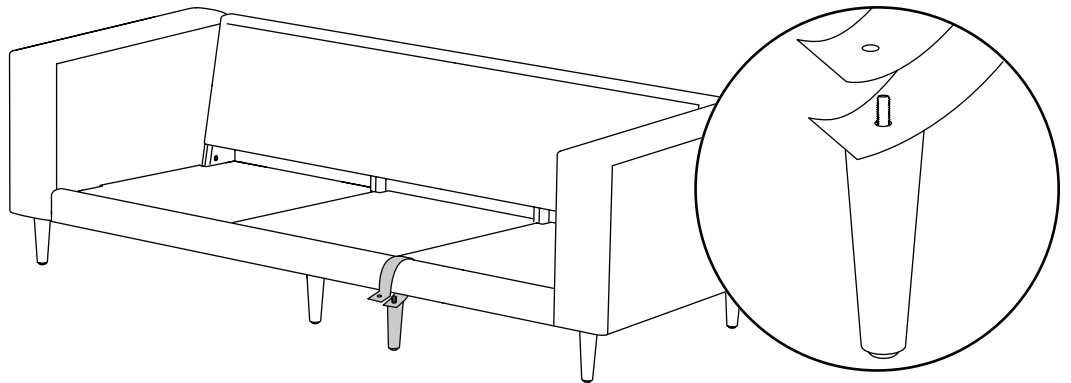
7

Attach Connectors

A

Insert the bolt of the remaining unattached leg, which will be on the inner corner of the Ottoman, into one end of the Fabric Connector.

Wrap the Fabric Connector around the Front Rail, going from the bottom and coming through the top. Insert the bolt through the hole on the other end of the Fabric Connector.

**B**

Screw the leg into the Ottoman Base to secure the base to the Sofa, which will be snug to the Front Rail.

7

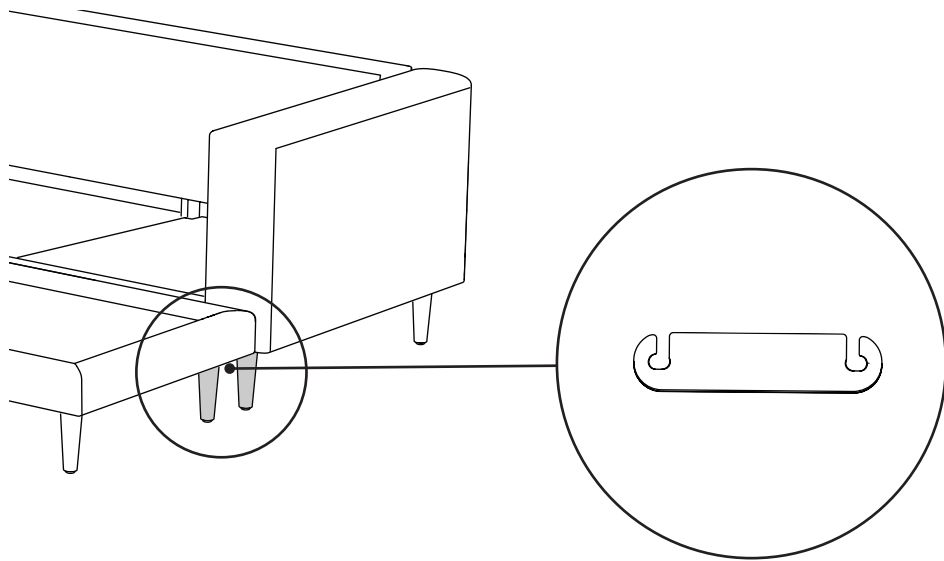
Attach Connectors

C

The Metal Connector is used to connect the two outside legs of the Ottoman & Sofa. You should have already left the Ottoman Leg slightly unscrewed.

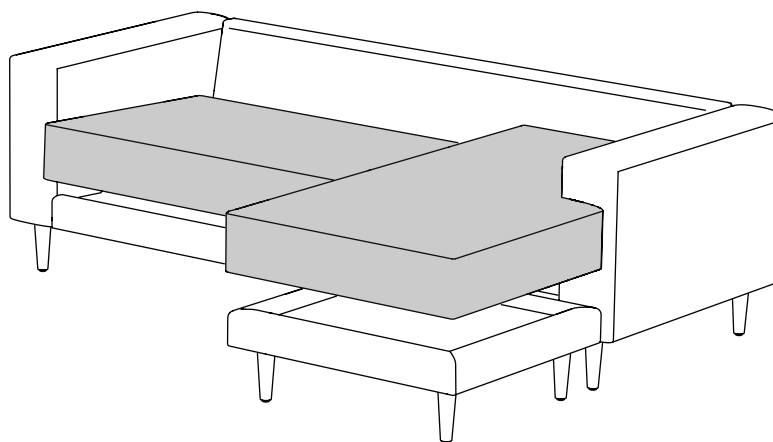
Unscrew the leg on the Sofa Arm to give some room for the connector. Slide the Metal Connector in.

Then tighten the legs.

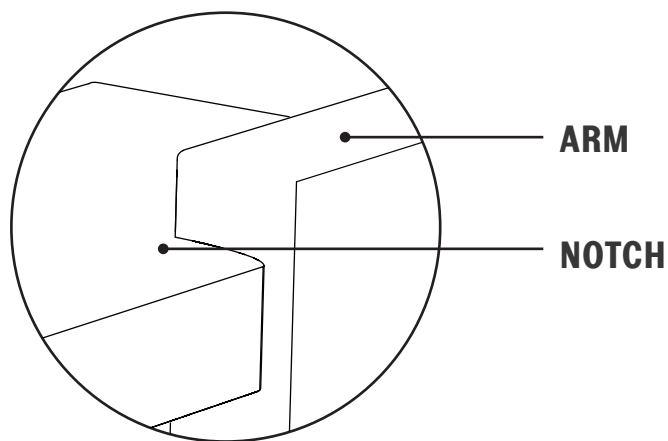


8 Add Cushions

- A** Place the Loveseat Cushion onto the Sofa, running from the side without an ottoman to the middle.



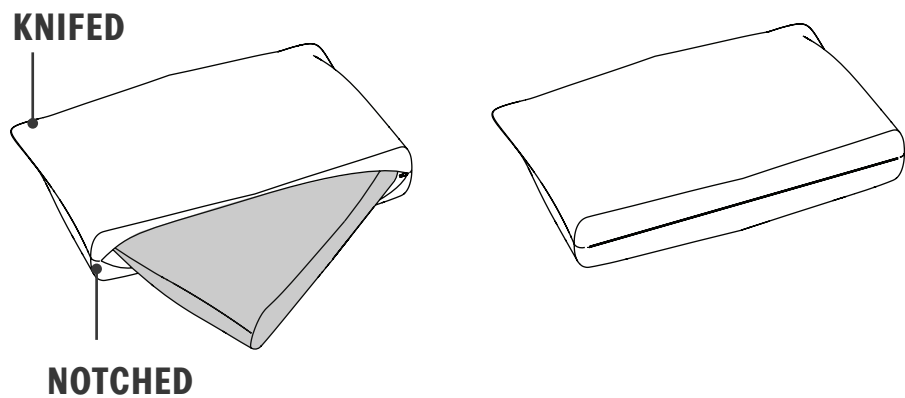
- B** Place the Chaise Cushion across the Sofa and Ottoman. The notch of the cushion should wrap the arm.



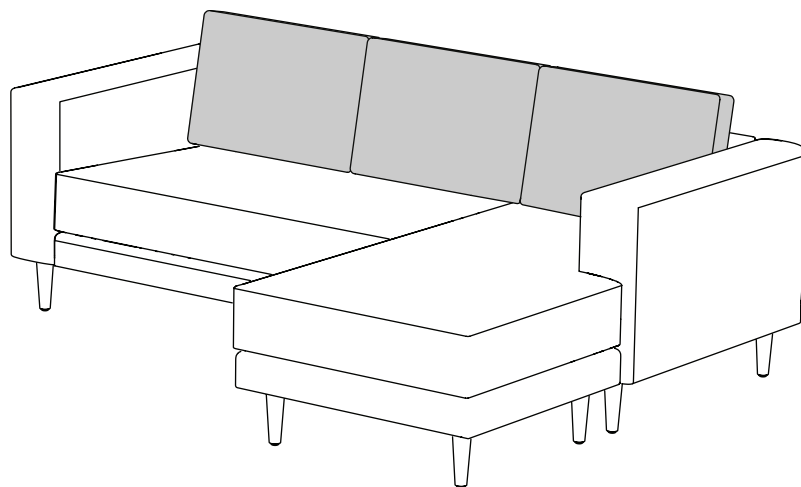
9

Stuff & Add Pillows

- A** Stuff each pillow into a pillowcase, making sure that the “knifed” and “notches” edges match with the pillowcase.



- B** Place the pillows at the back of the sectional.



SABAI.DESIGN