

SABAI

Designing the Difference

THE ESSENTIAL CLUB CHAIR

Welcome to Sabai

Sabai is designing the difference.

We've minimized your furniture's impact on the environment, from the materials, to the manufacturing process, to programs to extend its life cycle.

Our products are 100% vegan and are made from a combination of recycled, upcycled, and biodegradable materials.

We utilize mechanical fasteners (rather than glue) to ensure that our materials remain recyclable and that we are keeping our manufacturing team safe.

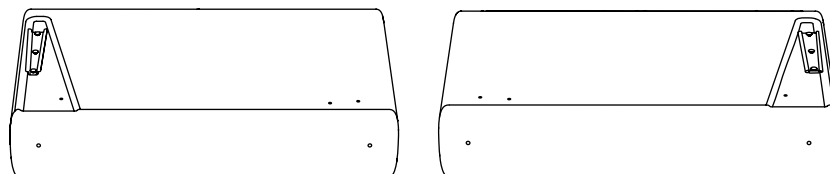
To make sure our furniture stays out of landfills, we've launched two programs under our Sabai Standard: The Repair Don't Replace and Sabai Revive resale programs.

After a simple assembly, you can rest easy with Sabai.

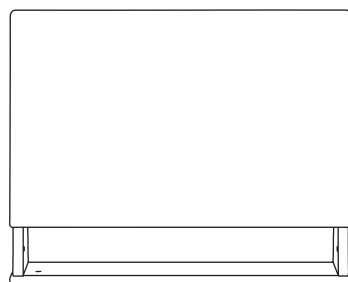
This guide makes assembly a cinch. If you still have questions, you can reach our customer service team at customer@sabai.design and we'll respond within 24 hours.

Components

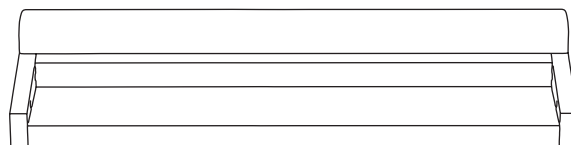
ARMS
X2



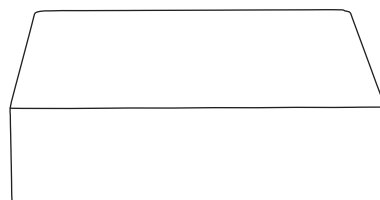
BACK



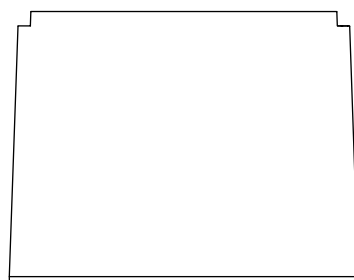
FRONT RAIL



SEAT & CUSHION COVER

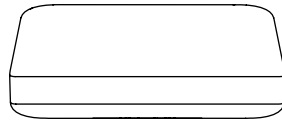


SEAT PANEL

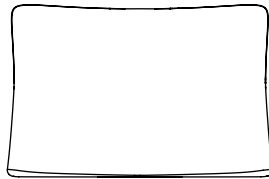


Components

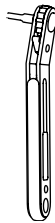
BACK PILLOW



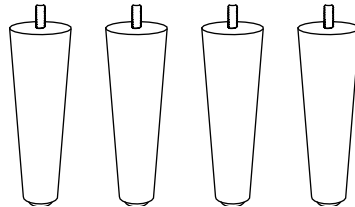
BACK PILLOW COVER



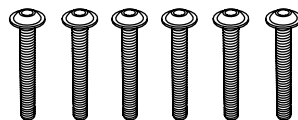
RATCHET WRENCH



LEGS X4



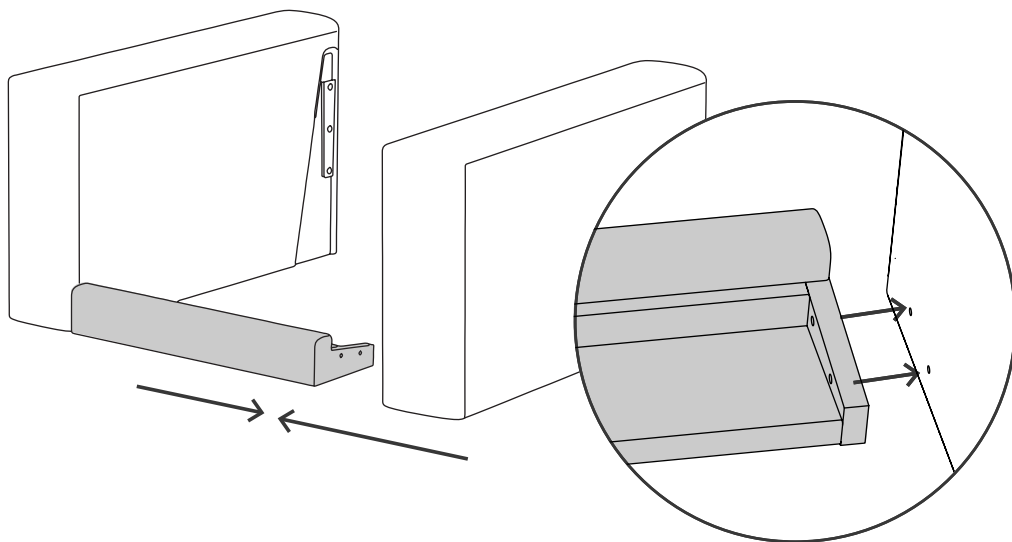
METAL BOLTS X6



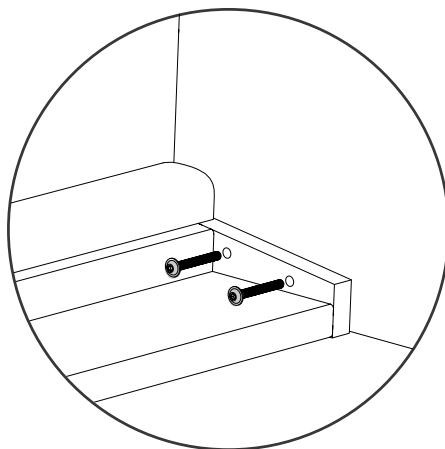
Note: The listed bolt quantity reflects how many bolts are needed for assembly, but you have been provided with extra bolts just in case they're needed.

1 Secure Front Rail

A Line the front rail up with an arm.



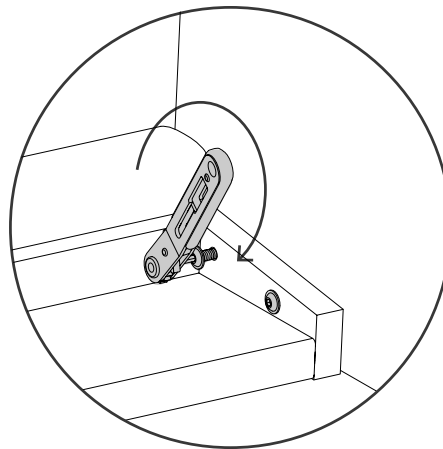
B Take 2 bolts and insert them into the holes in the front rail that line up with the holes on the arm.



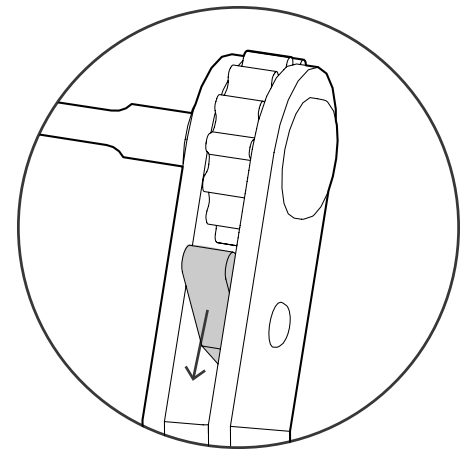
1 Secure Front Rail

C Use the ratchet wrench to tighten the bolts until they are firmly in place. The ratchet wrench allows you to tighten the bolt without having to remove the wrench from the bolt each time you have reached the limit of how far it can go in that direction. Instead, you can simply go back in the opposite direction without moving the bolt and continue tightening. The same applies when you are loosening a bolt.

Make sure the switch on the side is flipped down when tightening, and up when loosening. Repeat with the other arm.



+ REPEAT ON OTHER SIDE

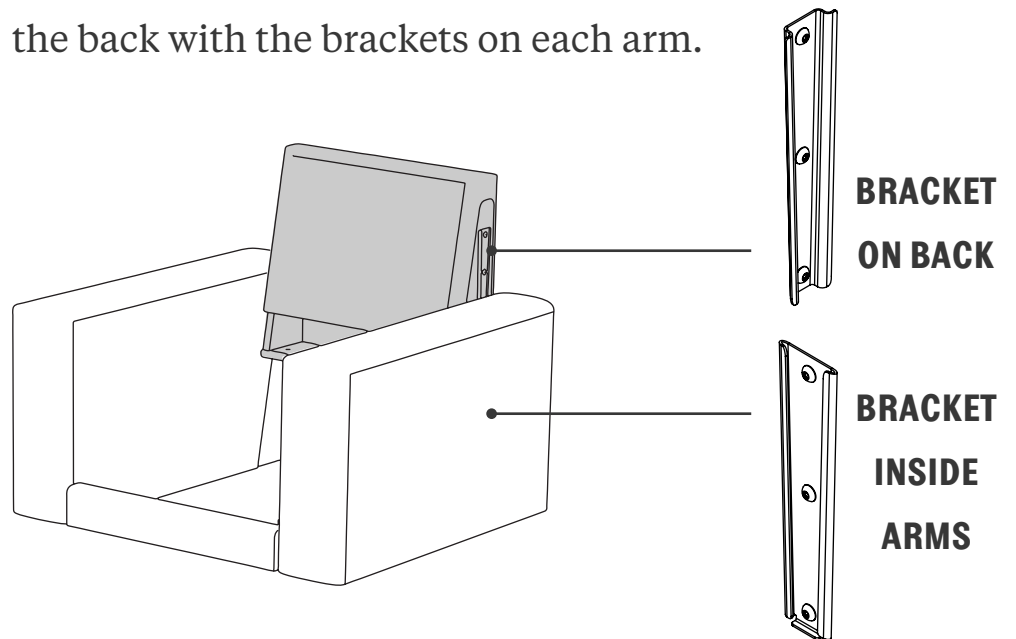


FLIP DOWN = TIGHTEN

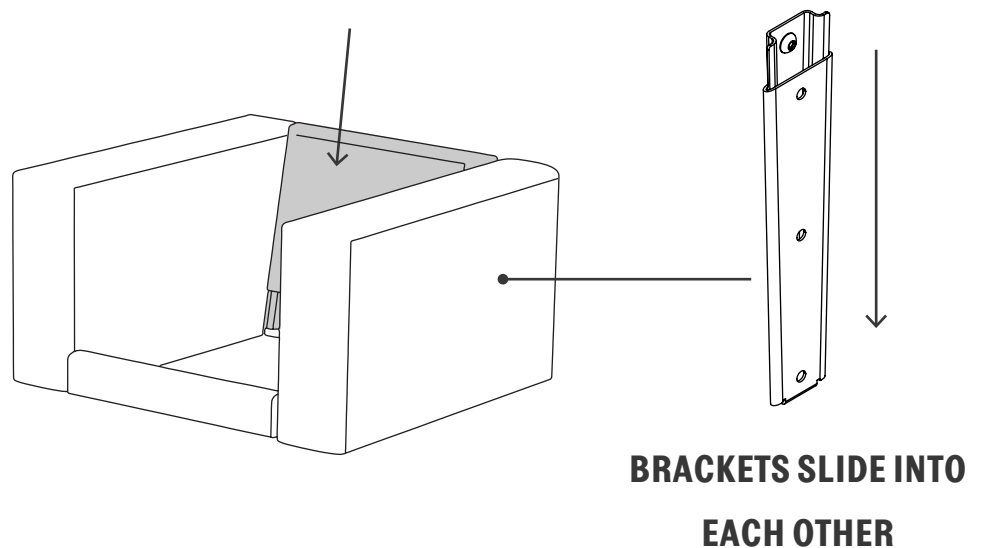
FLIP UP = LOOSEN

2 Slide in Back

- A** Take the back piece and line the brackets on the sides of the back with the brackets on each arm.

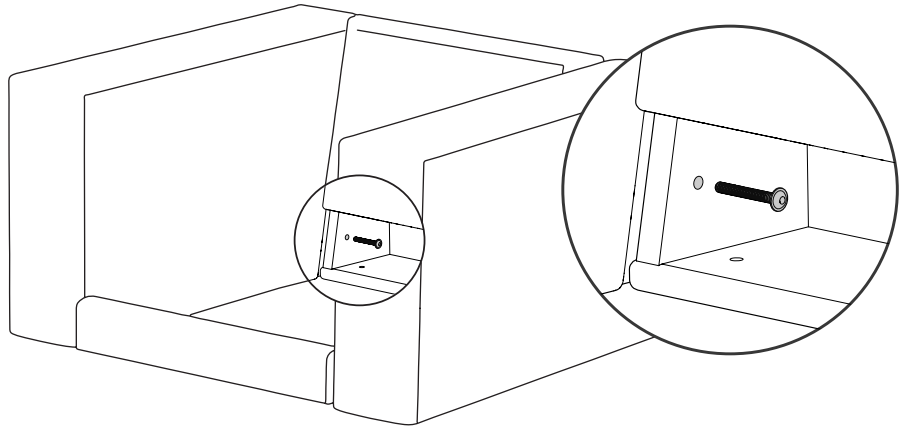


- B** Make sure the brackets are lined up before sliding the back piece down.

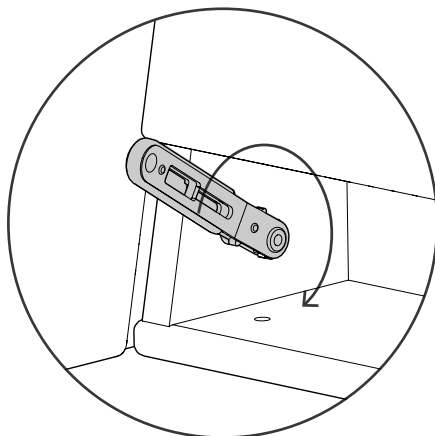


3 Secure Back

- A** Take 1 bolt and insert it into the hole on the back cavity that lines up with a hole on the arm.



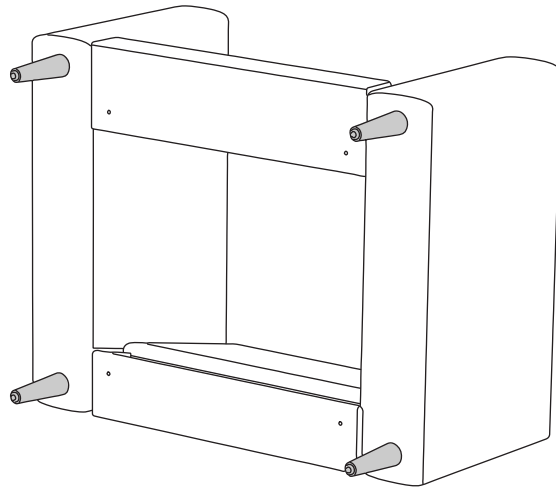
- B** Tighten the bolt until firmly in place. Repeat with the other side of the front rail/arm.



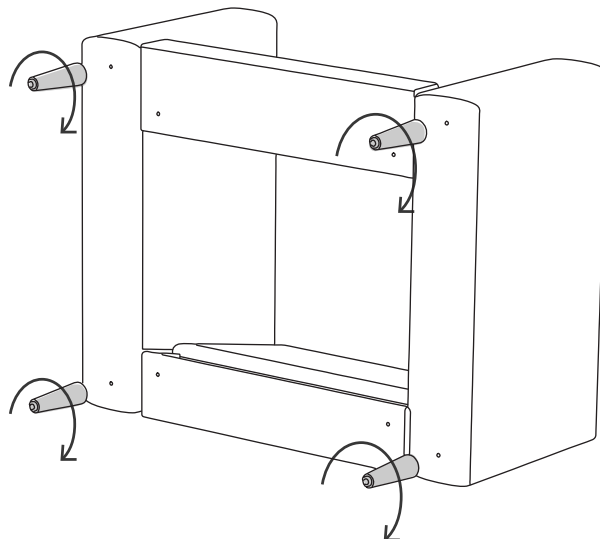
+ REPEAT ON OTHER SIDE

4 Screw in Legs

A Flip the Club Chair onto its back.

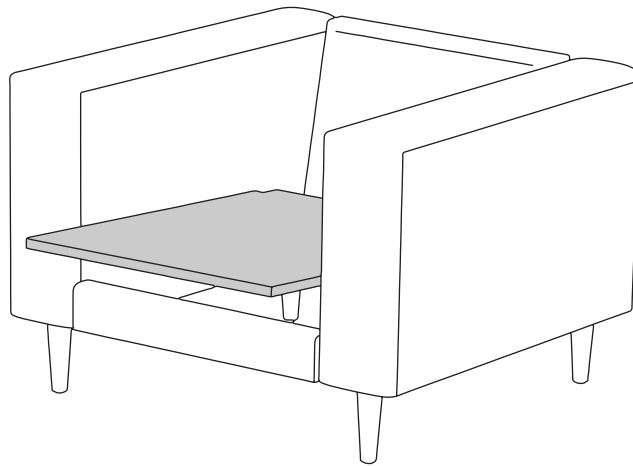


B Screw in the legs.



5 Lay Platform

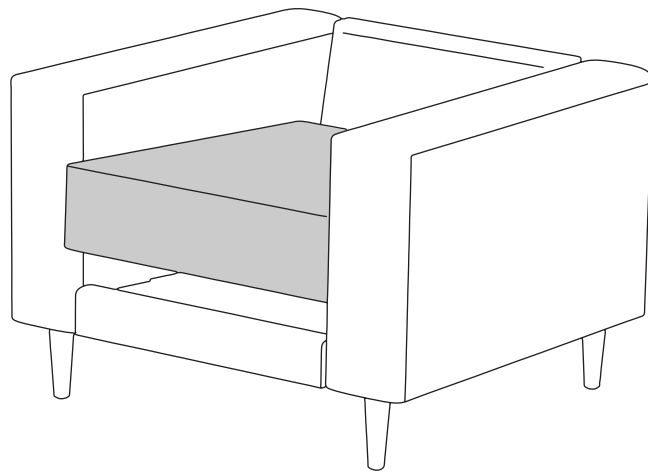
- A** Flip the Club Chair right side up. Lay the platform across the back and front rail. The platform should lie at an angle, slightly raised in the front to ensure a comfortable seating pitch.



6 Add Cushion

A

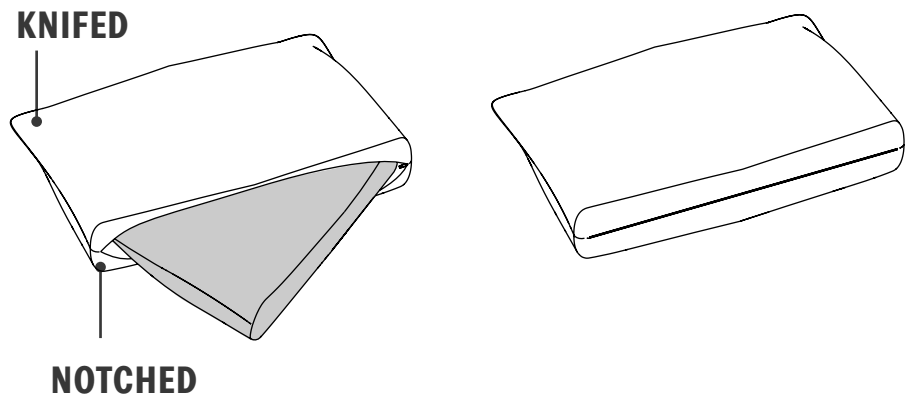
Place seat cushion onto the chair.



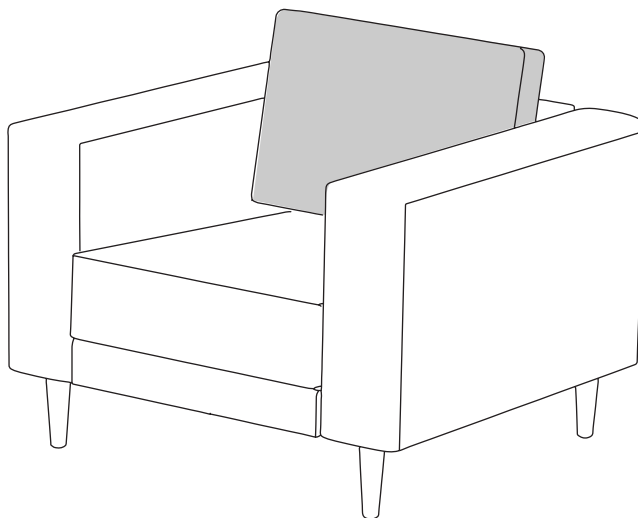
7

Stuff & Add Pillow

- A** Stuff the pillow into the pillowcase, making sure that the “knifed” and “notched” edges match with the pillowcase.



- B** Place the pillow at the back of the Club Chair.



SABAI.DESIGN