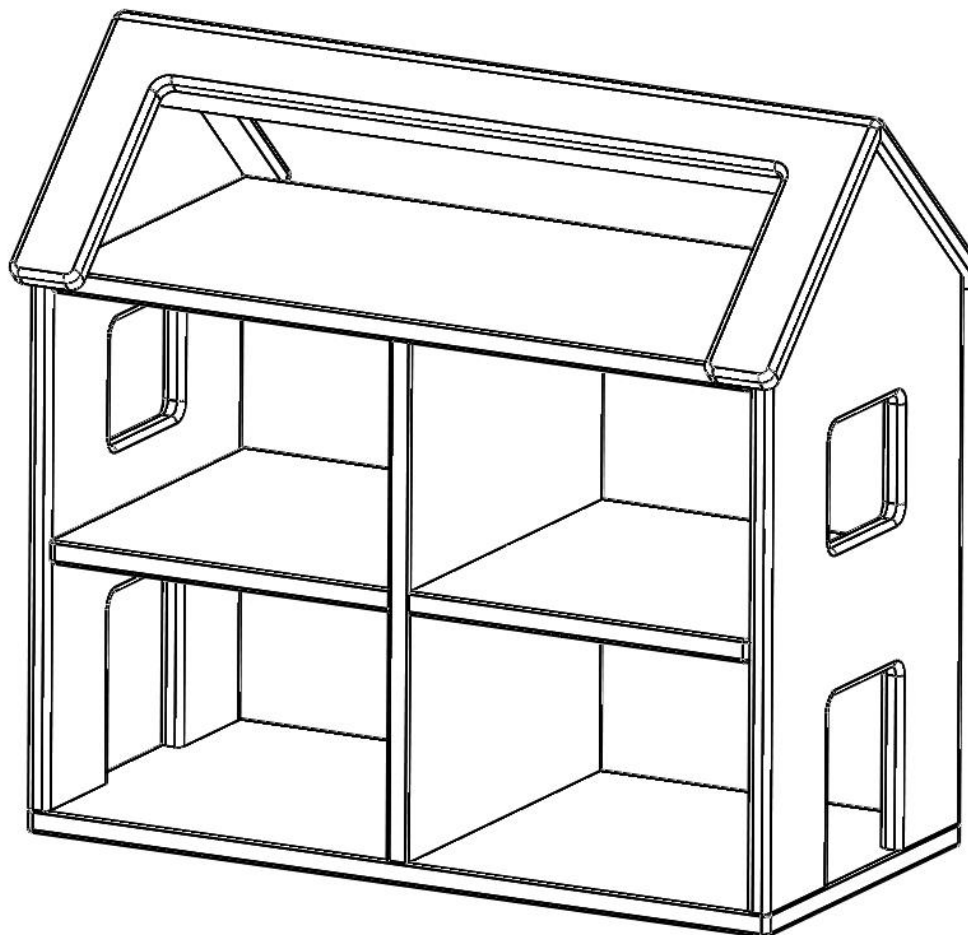


## ASSEMBLY INSTRUCTIONS – EY06815



### Parts List:

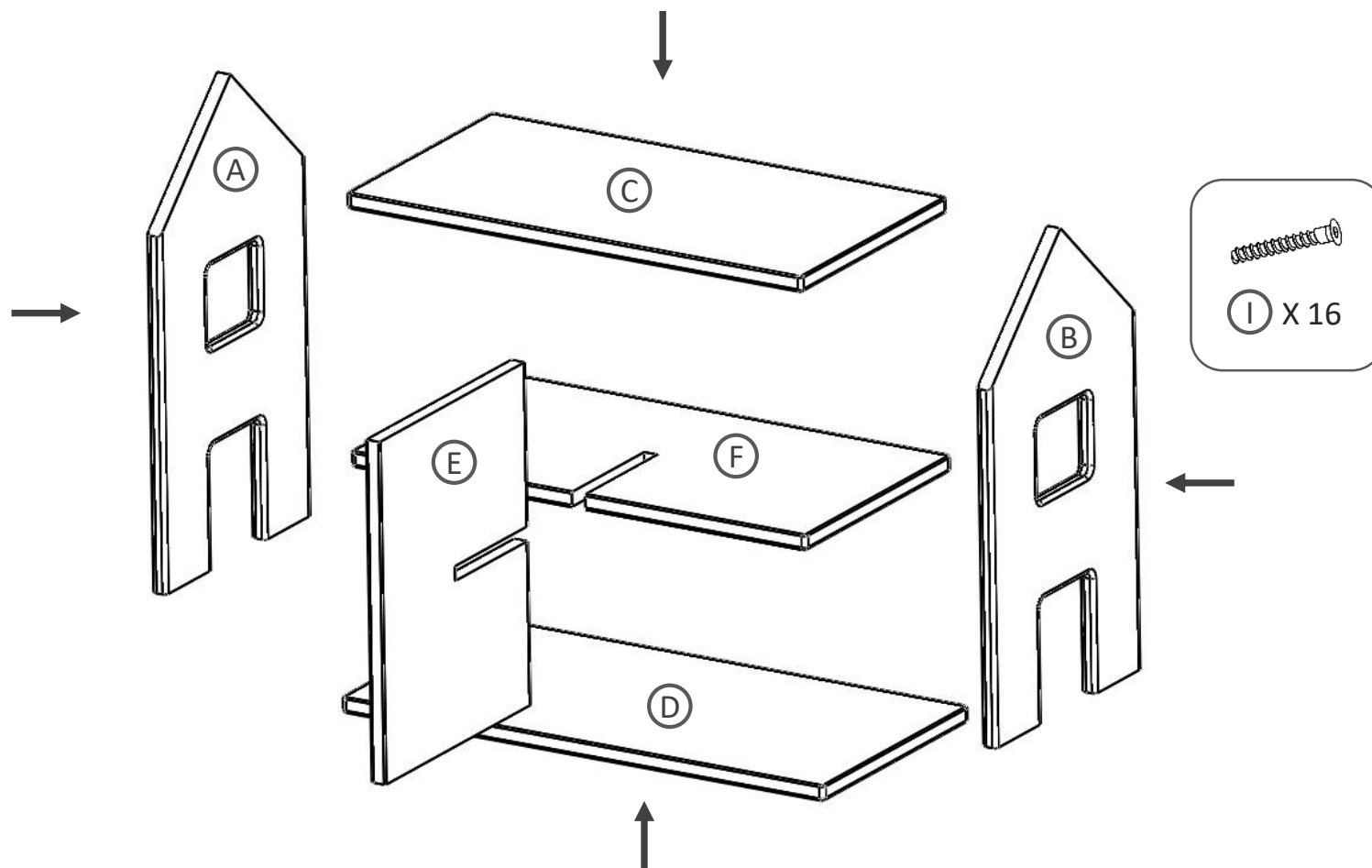
- A-Left Board x 1
- B-Right Board x 1
- C-Top Board x 1
- D- Bottom Board x 1
- E-Middle Board x 1
- F-Middle Board x 1
- G-Roof x 2
- H-Beam x 1
- I- Screw(a) x 24
- J- Screw(b) x 2
- K-Screw(c) x 6
- L-spanner x 1

### Tools Required

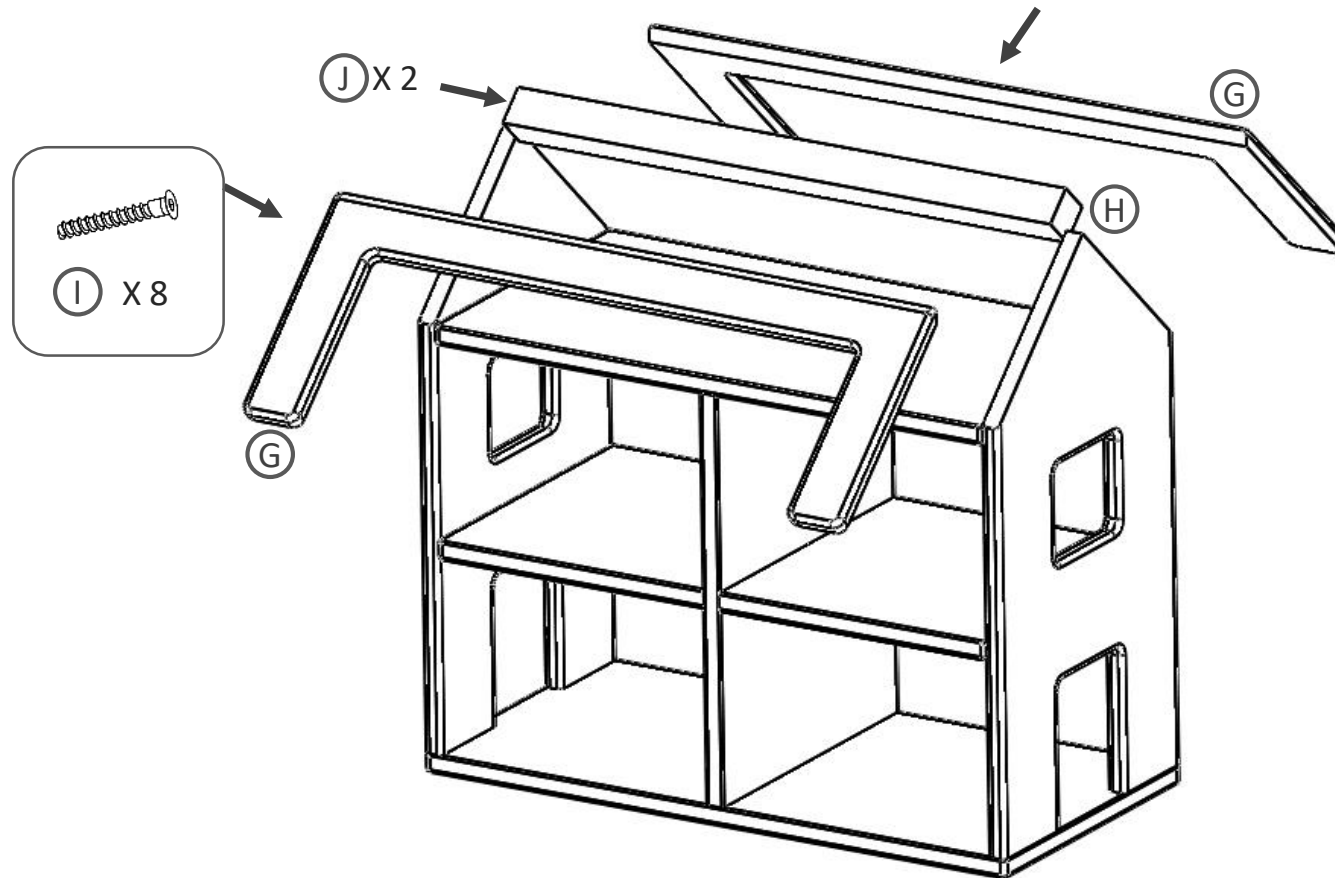
- Hexagon wrench



# ASSEMBLY INSTRUCTIONS – EY06815



## ASSEMBLY INSTRUCTIONS – EY06815



## ASSEMBLY INSTRUCTIONS – EY06815

