

# REDSHIFT ARCLIGHT

## SMART LED LIGHT MODULE INSTALLATION INSTRUCTIONS

For the most up-to-date instructions, instructional videos, and additional resources, visit [www.redshiftsports.com/arclight](http://www.redshiftsports.com/arclight).

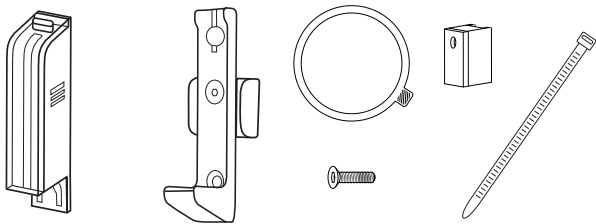
## COMPATABILITY:

This light module is only designed to be used with the Arclight Multi Mounts or with the Arclight Bicycle Pedals.

## INCLUDED:

- 1x Arclight Light Module
- 1x Arclight Multi Mount
- 1x Rubber Band
- 1x Long Screw
- 1x Spacer
- 1x Zip tie

**\*NOTE:** These instructions cover the Arclight Light Module and Multi Mount. Depending on which product you purchased, your box will include all or some of these components.

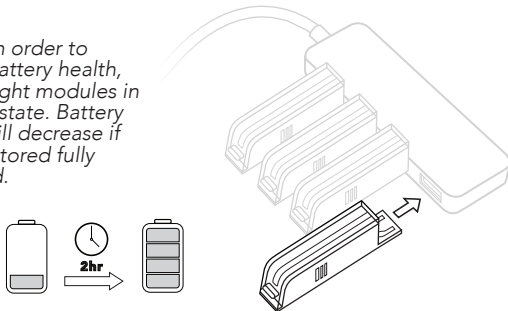


## BEFORE YOU START:

### Charge the Arclight Light Module.

Plug the light module into any female USB slot. The indicator light on each light module will switch from orange to green when it is fully charged. After 10 minutes, the green light will shut off.

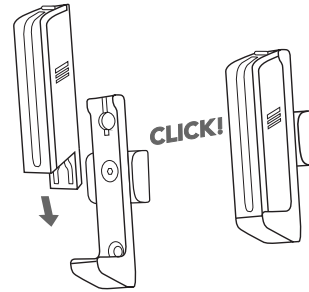
**\*NOTE:** In order to maintain battery health, store the light modules in a charged state. Battery capacity will decrease if battery is stored fully discharged.



## STEP 1:

Remove Light Modules from charger and insert into Multi Mount.

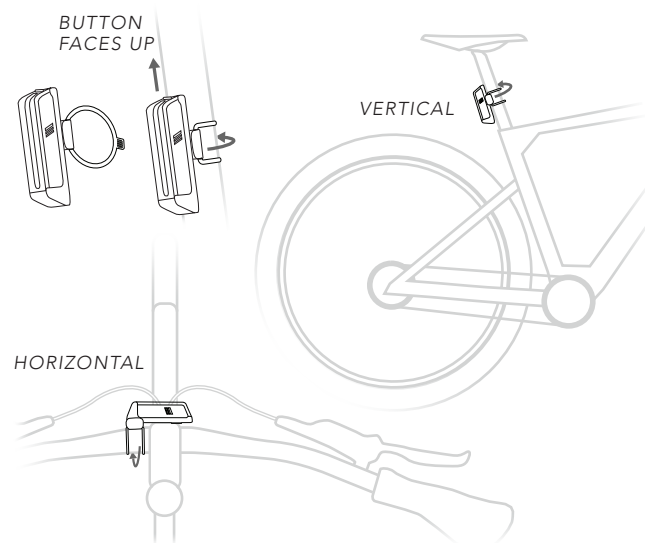
You should hear a magnetic click.



## STEP 2:

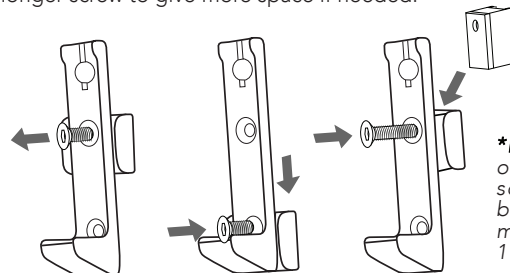
Attach Multi Mount to your bicycle in either a horizontal or vertical position.

Use rubber band to wrap around the mounting location and secure the Multi Mount in place. If mounting in the vertical orientation - ensure button is facing up.



Adjust the mounting bracket if needed for the perfect fit using a 2.5mm allen key.

You can unscrew the mounting bracket and move it to the top orientation. You can also add in the provided spacer using the longer screw to give more space if needed.



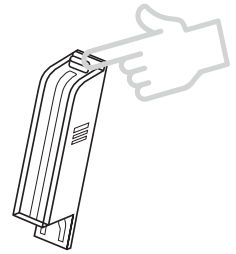
**\*NOTE:** Do not over-tighten screw. Should be snug, no more than 1Nm torque.

## STEP 3:

Press button on light module to turn on and select mode.

Light module will automatically switch from white to red depending on the orientation of the multi-mount.

**\*NOTE:** If the light is not horizontal or vertical, it may struggle to set the correct color.



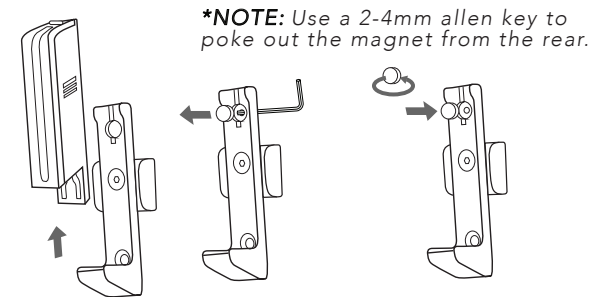
First Press	Steady Light	3+ hours battery life
Second Press	Flash	11+ hours battery life
Third Press	Eco Flash	36+ hours battery life

**\*NOTE:** Battery life will vary depending on usage and conditions.

## STEP 4:

Switch the color if it is not in the correct orientation.

The light module shines red for rear, and white for the front. If it sets to the wrong color, remove the arclight module and flip the magnet at the top of the mount to the opposite side.



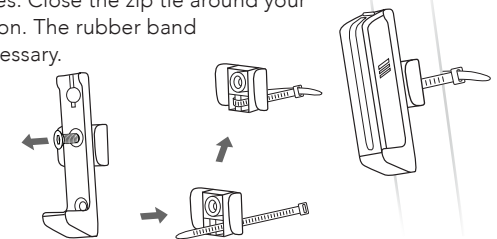
**\*NOTE:** Use a 2-4mm allen key to poke out the magnet from the rear.

**\*NOTE:** Removing the magnet disables the color switching and auto on/off features.

## STEP 5:

(OPTIONAL) - Use the provided zip tie to securely mount the Multi Mount for a more permanent fit.

Unscrew the mounting bracket and feed the zip tie through the holes. Close the zip tie around your mounting location. The rubber band is no longer necessary.



# REDSHIFT ARCLIGHT

SMART LED LIGHT MODULE

## INSTALLATION INSTRUCTIONS

For the most up-to-date instructions, instructional videos, and additional resources, visit [www.redshiftsports.com/arclight](http://www.redshiftsports.com/arclight).

## OPERATION TIPS:

### Auto On/Off functionality



**30 sec**

**Standby Mode** - After 30 seconds without sensing movement, the light modules will turn off and enter standby mode. They will turn on again when slight movement is sensed.



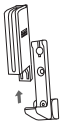
**150 sec**

**Sleep Mode** - After 150 seconds without sensing movement, the light modules will enter sleep mode. They will turn on again when heavier movement is sensed.



**24 hrs**

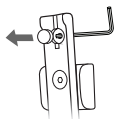
**Shut Off** - After 24hrs on Sleep mode, the light modules will completely shut off and need to be manually turned on by pressing the button.



**Removing a Light Module** - Will automatically turn it off. When it is inserted again, it will need to be turned on by pressing the button.



**Pressing and Holding the Button** - Will power off the light module. Pressing the button again is the only way to turn it back on.

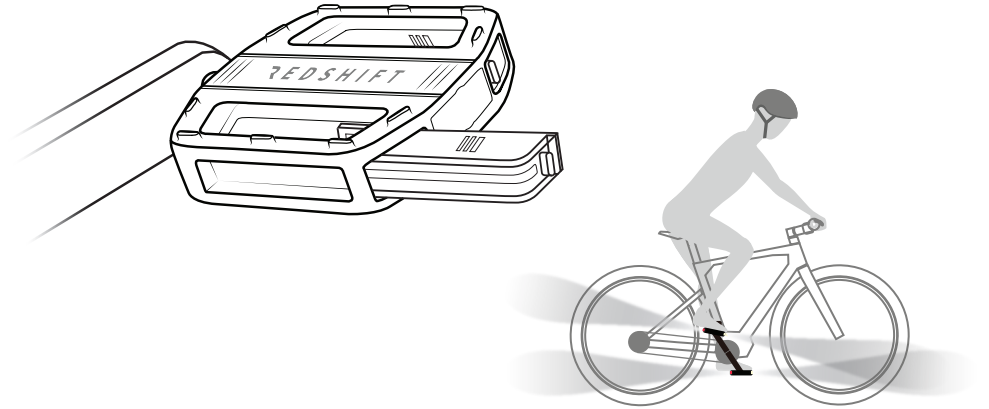


**To Disable Auto On/Off and Color Switching Features** - Remove the magnet from the multi mount, or remove the light module from the mount.

## ALSO COMPATIBLE WITH:

*Arclight light modules compatible with Arclight Bicycle Pedals (sold separately.)*

The Arclight bicycle pedals use 4 Arclight light modules (2 in each pedal) to provide the utmost visibility on your bike. The dynamic circular movement of the Arclight Bicycle Pedals attract the attention of motorists, instantly identifying you as a cyclist.



## ⚠ WARNING

- This product is not guaranteed to prevent accidents or keep you visible from motorists in all situations.
- Please follow your local traffic laws and always use best judgement when sharing the road with cars.
- This product may not comply with some European bicycle light laws such as StVZO regulations in Germany. This product should only be used for off-road applications in such jurisdictions.
- Arclight lights are designed to increase your visibility to others, and are not intended to be used as a headlight or navigational light.
- Arclight light modules are IP65 water resistant and will hold up to your wettest rides. However, do not submerge the lights in water, as damage may occur.
- Failure to follow these instructions and warnings may result in malfunction or breakage of this product, possibly causing serious injury or death.
- In order to maintain battery health, store the light modules in a charged state. Battery capacity will decrease if battery is stored fully discharged.
- Refer to the Redshift Arclight website for the most up to date instructions and information. The Redshift support team is available to answer any outstanding questions via email at [support@redshiftsports.com](mailto:support@redshiftsports.com).