

#	QTY	PART NAME
1	2	Handlebar Clamp - Upper
2	2	Handlebar Clamp - Lower
3	4	M6 x 12 mm Socket Head Cap Screw
4	2	Dovetail Clamp
5	2	Tension Rod
6	2	Cam Pivot
7	2	QR Washer
8	2	QR Washer Support
9	2	Cam Lever
10	4	Tension Rod Spring
11	4	M6 x 16 mm Flat Head Cap Screw
12	2	Armpad (left/right)
13	2	Extension Clamp (left/right)
14	2	Armrest Base (left/right)
15	4	Extension Endcap
16	2	Extension (left/right)
17	4	M5 x 8 mm Flat Head Cap Screw
18	4	Handlebar Shim (26.0 mm) *
-	4	Extension Spacers **
-	4	M6 x 30 mm Flat Head Cap Screw **
-	4	M6 x 45 mm Flat Head Cap Screw **

* Sold separately - Handlebar Clamp Shim Kit

** Sold separately - Aerobar Riser Kit

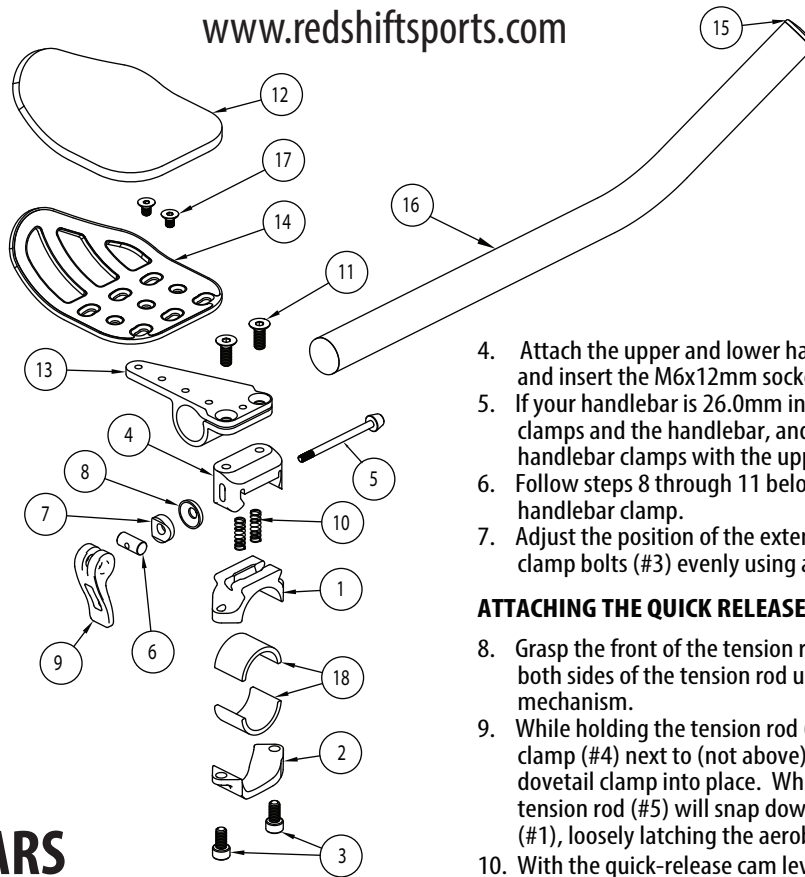
QUICK-RELEASE AEROBARS

INSTRUCTIONS

Thanks for buying Redshift Sports Quick-Release Aerobars! The Quick-Release Aerobars let you transform you bike from road to aero in seconds, giving you the perfect setup for every ride.

These aerobars are different than other aerobars on the market, so please read these instructions and warnings completely before installing or using the aerobars. If you are unfamiliar with bike maintenance or aerobar installation, or if you lack the required tools, please visit your local bike shop or contact Redshift Sports customer service for assistance. Improper installation or use may void the product's warranty policy.

Check out www.redshiftsports.com for instructional videos and other resources.



INSTALLING THE HANDLEBAR CLAMPS

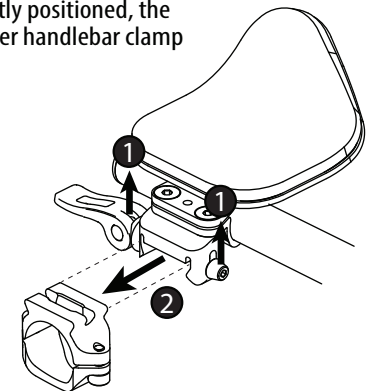
- WARNING!** Ensure that the handlebar clamp area is free of grease and debris. Note - it may be necessary to remove the portions of handlebar tape closest to the stem in order to make sufficient room for the handlebar clamps.
- These aerobars are intended for use with 31.8 mm diameter handlebars. They may also be used with 26.0 mm handlebars using the Handlebar Clamp Shim Kit (sold separately). The handlebar clamps require at least 22mm (7/8 in.) of straight, non-tapered handlebar length on either side of the stem.
- Apply a small amount of bicycle grease to the tips of the M6 socket head cap screws (#3).

- Attach the upper and lower handlebar clamps (#1 and #2) to the handlebar on either side of the stem and insert the M6x12mm socket head cap screws (#3) through the lower clamp into the upper clamp.
- If your handlebar is 26.0mm in diameter, slide the handlebar shims (#18 - sold separately) between the clamps and the handlebar, and align the shim halves with the upper and lower clamps. Align the handlebar clamps with the upper clamp (#1) facing upward and loosely finger tighten the bolts.
- Follow steps 8 through 11 below to loosely attach the quick-release handlebar assemblies to the upper handlebar clamp.
- Adjust the position of the extensions (#16) as desired and then alternatingly tighten the handlebar clamp bolts (#3) evenly using a torque wrench (5mm hex size) to 6.0 N-m (53 in-lb).

ATTACHING THE QUICK RELEASE AEROBARS

- Grasp the front of the tension rod (#5) and the quick-release cam lever (#9), and pull both sides of the tension rod upward against the springs to retract the safety latch mechanism.
- While holding the tension rod (#5) in the retracted position, position the dovetail clamp (#4) next to (not above) the upper handlebar clamp (#1), and slide the dovetail clamp into place. When the aerobar assembly is correctly positioned, the tension rod (#5) will snap downward into the groove in the upper handlebar clamp (#1), loosely latching the aerobar assembly in place.
- With the quick-release cam lever (#9) in the upward, open position, gradually turn the head of the tension rod (#5). If necessary, you may use a 3mm allen wrench to turn the tension rod (#5). Close the cam lever (#9) by pushing it downward until it contacts the rear bolt of the handlebar clamp.
- Open the cam lever (#9) and tune the tightness of the tension rod (#4) using small adjustments (clockwise to tighten, counter-clockwise to loosen). The cam lever (#9) should require moderate force to close, and should be sufficiently tight to eliminate any play in the extension.

SEE OTHER SIDE FOR POSITION ADJUSTMENT INSTRUCTIONS



⚠ WARNING

- Failure to follow these instructions and warnings may result in malfunction or breakage of this component, possibly causing serious injury or death.
- Always use a torque wrench when installing or adjusting fasteners, and always tighten to Redshift torque specifications (or the bike manufacturer's specification). Periodically check all fasteners for tightness using a torque wrench, since fasteners can loosen under the influence of road vibration.
- These aerobars are intended for use with 31.8 mm diameter handlebars. They may also be used with 26.0 mm diameter handlebars using the Handlebar Clamp Shim Kit (sold separately).
- The handlebar clamps require a minimum of 22mm (7/8 in.) of straight, non-tapered handlebar length on either side of the stem. Do not use the aerobars if your handlebars begin to taper closer than 22mm. This can damage the handlebar or lead to aerobar slippage, causing possible serious injury or death.
- Periodically clean and inspect all surfaces of this component for hairline cracks or signs of damage. If you find any cracks or damage, immediately cease using the part and contact Redshift Sports customer service.
- These aerobars are intended for road use only. Off-road use may lead to slippage or breakage of the component, possibly causing serious injury or death.
- Clip-on aerobars may damage lightweight aluminum or carbon handlebars. Prior to installation, consult your handlebar manufacturer's instructions to determine compatibility with clip-on aerobars.
- Using aerobars can affect a bicycle's handling characteristics. Following installation, practice using the aerobars at low speed in a safe area to get used to the bicycle's handling and steering.
- Prior to every ride, ensure that both quick-release levers are fully locked in the down position and that there is no play or movement between the aerobar extensions and the handlebar.

REMOVING THE QUICK-RELEASE AEROBARS

12. Open the cam lever (#9).
13. Grasp the front of the tension rod (#5) and the quick-release cam lever (#9), and pull both sides of the tension rod upward against the springs to retract the safety latch mechanism.
14. While holding the tension rod in the retracted position, slide the quick-release aerobar assembly directly sideways to remove it from the upper handlebar clamp.

ADJUSTING EXTENSION POSITION

WARNING! Always use a torque wrench when tightening the M6 bolts (#11) to 6 N-m. Over-tightening can **PERMANENTLY DAMAGE** the internal threads of the Dovetail Clamp (#4), rendering the aerobars **UNUSABLE**.

15. Using a 4mm hex wrench, loosen the two M6 bolts (#11) at the top of the extension clamp (#13).
16. Adjust the rotational position and fore-aft position of the extension (#16) to fit. Ensure that the back of the extension extends slightly beyond the rear of the extension clamp.
17. Once the desired position is achieved, tighten the two M6 bolts (#11) using a torque wrench to 6.0 N-m (53 in-lb).

ADJUSTING EXTENSION AND ARMREST HEIGHT (Requires Riser Kit - Sold Separately)

18. See instructions included in Aerobar Riser Kit (Sold Separately)

ADJUSTING ARMREST POSITION

19. Peel the armpad (#12) off of the armrest (#14) to expose the armrest screws (#17).
20. Using a 3mm hex wrench, loosen and remove the two M5 bolts (#17) holding the armrest in place.
21. Apply a small amount of bicycle grease to the tips of the bolts (#17).
22. There are three different fore-aft positions and four different width positions on the armrest base (#14). Select the desired fore-aft row of holes on the armrest base, and insert one of the M5 bolts (#17) through the middle hole in the selected row. On the extension clamp (#13), select the desired width by threading the M5 bolt into one of the 4 threaded holes. Loosely tighten the M5 bolt.
23. Insert the remaining M5 bolt (#17) into the hole nearest the inner edge of the armrest base (#14). If the pad is positioned in its narrowest position, you may place the remaining bolt into the hole nearest the outer edge of the armrest base (#14).
24. Adjust the rotation of the armrest base (#14) as desired and tighten both M5 bolts (#17) using a torque wrench to 3.0 N-m (27 in-lb).
25. Replace the armpad (#12).

TROUBLESHOOTING & MAINTENANCE

The quick-release lever is difficult to close, or it is difficult to properly tighten the clamp.

26. Remove the aerobar assembly from the handlebar clamp. Holding the tension rod (#5) stationary, spin the cam lever (#7) counter-clockwise to remove it from the tension rod. Do not remove the tension rod (#5) from the dovetail clamp (#4).
27. Remove the cam pivot (#6) from the quick-release cam lever (#9).
28. Apply a thin layer of bicycle grease to the outside of the cam pivot (#6) and reinsert the cam pivot into the cam lever (#9).
29. Position the quick release washer (#7) and washer support (#8) on the tension rod (#5), and thread the tension rod into the cam pivot (#6). Wipe away any excess grease from the outside faces of the cam lever or cam pivot.
30. Retighten the tension rod (#5) and close the quick-release lever (#9).

The quick-release aerobar is difficult to slide onto or off of the upper handlebar clamp.

31. Ensure that the tension rod (#5) is completely retracted upward prior to attempting to attach or remove the aerobar assembly.
32. Ensure that you slide the aerobar assembly directly sideways, without rotating the assembly.
33. Ensure that the underside of the extension clamp (#13) and the dovetail clamp (#4) do not contact anything on the handlebar (for example, handlebar tape, brake cables, shifter cables) while sliding on or off of the upper handlebar clamp.
34. If the extension clamp (#13) or handlebar clamp (#4) contacts the handlebar tape or cables, it may be necessary to trim the handlebar tape or reposition the brake or shift cables.

Washing the foam armpads (#12).

35. Peel the armpad (#12) off of the armrest (#14).
36. Handwash the pads gently with mild detergent. Rinse thoroughly and squeeze out any excess water. Do not machine wash!
37. Air-dry only. Do not machine dry!

WARRANTY

We stand behind the products we sell and want you to have an amazing experience with your Redshift components. Warranty details and return instructions for all Redshift products can be found at www.redshiftsports.com/warranty.