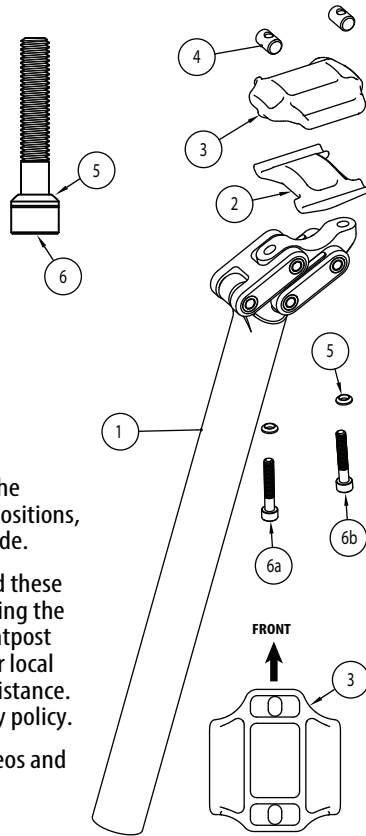


#	QTY	PART NAME
1	1	Seatpost & Linkage
2	1	Lower Saddle Clamp
3	1	Upper Saddle Clamp
4	2	Saddle Clamp Nut
5	2	Saddle Clamp Spherical Washer
6a	1	Saddle Clamp Bolt (Front 35 mm)
6b	1	Saddle Clamp Bolt (Rear 30 mm)



DUAL-POSITION SEATPOST INSTRUCTIONS

Thanks for buying Redshift Sports Dual-Position Seatpost. The seatpost lets you switch on-the-fly between road and aero positions, letting you choose the best position for every part of every ride.

This seatpost is different than other seatposts, so please read these instructions and warnings completely before installing or using the seatpost. If you are unfamiliar with bike maintenance or seatpost installation, or if you lack the required tools, please visit your local bike shop or contact Redshift Sports customer service for assistance. Improper installation or use may void the product's warranty policy.

Check out www.redshiftsports.com/faq for instructional videos and additional resources.

INSTALLING THE SEATPOST

- WARNING!** This seatpost is designed for bicycle frames with a 27.2mm diameter seat tube. The seatpost may be used with larger diameter seat tubes by using the correct diameter seatpost shim. In order to reduce stresses on the post and frame, only use seatpost shims greater than 100 mm (4 in.) in length. Using the seatpost in a different diameter seat tube without an appropriate shim may cause damage or failure of the seatpost or bicycle frame.
- Prior to removing your existing post, you may wish to measure the existing height, fore-aft position, and angle of your saddle for future reference.
- Remove your existing seatpost and saddle. Clean the inside of the bicycle's seat tube and ensure that the inside of the seat tube is free of burrs and sharp edges. Apply a thin layer of grease to the inside of the seat tube.

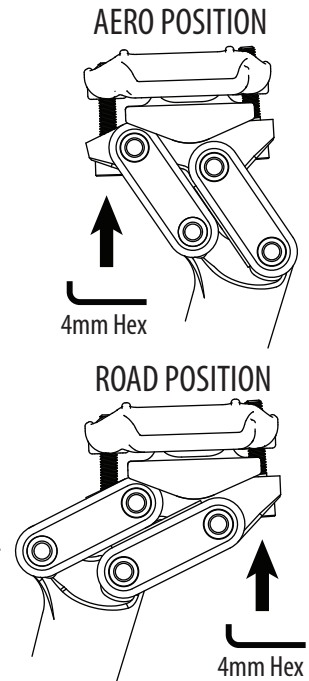
- With the seatpost linkage in the rearward road position, loosen the rear saddle clamp bolt (#6b) until the top of the bolt is threaded approximately halfway out of the rear saddle clamp nut (#4).
- Grasp the seatpost tube (#1) and press firmly on the rear of the linkage to shift the seatpost linkage forward into the aero position. **WARNING!** When moving the seatpost linkage between the road and aero positions, be careful not to pinch your fingers or hands between the linkages.
- Loosen the forward saddle clamp bolt (#6a) until the top of the bolt is threaded approximately halfway out of the forward saddle clamp nut (#4).
- Position your saddle between the lower saddle clamp (#2) and upper saddle clamp (#3).
- Loosely finger-tighten the forward saddle clamp bolt (#4) to hold the saddle in place temporarily.
- Insert the seatpost into your bicycle seat tube to the desired height. Do not twist the seatpost during insertion. Ensure that the seatpost is inserted far enough into the seat tube that the minimum insertion line on the seatpost is not visible above the frame's seatpost clamp.
- Tighten the bicycle's seatpost clamp bolt according to the bicycle manufacturer's torque specification.
- Position the saddle in the desired fore-aft position within the saddle clamp and follow steps 12 through 20 below to set the saddle tilt.

ADJUSTING SADDLE TILT

WARNING! DO NOT OVERTIGHTEN SADDLE CLAMP BOLTS! OVERTIGHTENING MAY LEAD TO SEATPOST FAILURE, POTENTIALLY CAUSING SERIOUS INJURY OR DEATH. ALWAYS USE A TORQUE WRENCH WHEN ADJUSTING SADDLE CLAMP BOLTS.

- Saddle tilt is adjusted by loosening and tightening the two saddle clamp bolts (#6). To access the rear saddle clamp bolt, shift the seatpost linkage rearward into the road position (see Figure). To access the forward saddle clamp bolt, shift the seatpost linkage forward into the aero position (see Figure).
- To tilt the saddle forward**, using a 4mm hex wrench, first loosen the rear saddle clamp bolt, then lightly tighten the forward saddle clamp bolt.
- To tilt the saddle backward**, using a 4mm hex wrench, first loosen the forward saddle clamp bolt, then lightly tighten the rear saddle clamp bolt.
- Using a torque wrench, tighten the rear saddle clamp bolt (#6b) to 4.0 N-m (35 in-lb).
- Using a torque wrench, tighten the forward saddle clamp bolt (#6a) to 4.0 N-m (35 in-lb).
- Repeat steps 12-16 as necessary until the desired saddle angle is achieved. If you experience any saddle slippage during riding, repeat steps 12-16 tightening the bolts to a maximum of 5.0 N-m (45 in-lb).

SEE OTHER SIDE FOR ADDITIONAL ADJUSTMENT INSTRUCTIONS

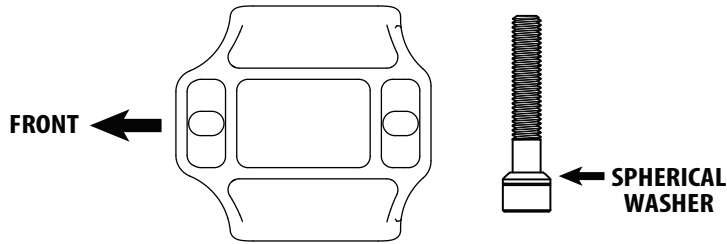


⚠ WARNING

- Failure to follow these instructions and warnings may result in malfunction or breakage of this component, possibly causing serious injury or death.
- Always use a torque wrench when installing or adjusting fasteners, and always tighten to Redshift torque specifications (or the bike manufacturer's torque specification). Periodically check all fasteners for tightness using a torque wrench, since fasteners can loosen under the influence of road vibration.
- This seatpost is designed for use in a 27.2 mm diameter seatpost. It may be used with larger seat tube diameters by using an appropriate diameter shim longer than 100mm (4 in.) in length.
- When moving the seatpost between the road and aero positions, be careful not to pinch your fingers or hands between the moving linkages.
- Do not raise the post beyond the minimum insertion line.
- Periodically clean and inspect all surfaces of this component for hairline cracks or signs of damage. If you find any cracks or damage, immediately cease using the part and contact Redshift Sports customer service.
- This seatpost is intended for road use only. Off-road use may lead to slippage or breakage of the component, possibly causing serious injury or death.
- Using the forward (aero) seatpost position can affect a bicycle's handling characteristics. Following installation, practice using the seatpost at low speed in a safe area to get used to the bicycle's handling and steering.
- Ensure that the post and the inside of the seat tube are covered with a thin layer of bicycle grease prior to installation. Failure to do so may cause the post to seize inside the bicycle frame.

NOTES ON SEATPOST ASSEMBLY

18. The upper saddle clamp must be oriented with the pointed end facing forward as shown in the figure below. Installing the upper saddle clamp backward may damage the saddle rails.
19. The spherical washers (#5) must be installed with the flat edge facing downward toward the head of the saddle clamp bolt (#6) and the curved edge facing upward as shown in the figure. Removing the spherical washers or installing them upside-down may damage the post.



SWITCHING BETWEEN ROAD AND AERO POSITIONS WHILE RIDING

WARNING! ONLY SWITCH BETWEEN RIDING POSITIONS WHEN YOU ARE SAFELY AWAY FROM ROAD TRAFFIC, OBSTACLES, AND OTHER RIDERS. SWITCHING BETWEEN POSITIONS MAY REQUIRE YOU TO REMOVE YOUR HAND FROM THE HANDLEBAR, WHICH CAN COMPROMISE BRAKING AND HANDLING ABILITY.

WARNING! NEVER PLACE YOUR HANDS OR FINGERS NEAR THE SEATPOST LINKAGES WHILE RIDING OR SWITCHING RIDING POSITIONS. DOING SO MAY CAUSE PINCHING OR CRUSHING INJURIES. TO SHIFT THE SEATPOST LINKAGE, GRASP THE NOSE OF THE SADDLE, AWAY FROM THE LINKAGES AND SADDLE CLAMP.

20. Ensure that the road ahead is clear of traffic, obstacles, and other riders, and that your speed is sufficient to maintain balance during the switch.
21. Stop pedaling and stand slightly to shift your weight off of the saddle onto the pedals.
22. To switch from the rearward road position to the forward aero position, grasp the nose of the saddle with your hand and pull the saddle firmly forward into the aero position. until you hear a click.
23. To switch from the forward aero position to the rearward road position, push backward against the saddle with your legs and buttocks. The saddle will click backward into the road position.
24. Sit back on the saddle and continue riding.

TROUBLESHOOTING & MAINTENANCE

It is difficult to shift the seatpost linkage from the road position to the aero position.

25. Place a drop of lightweight oil (3-in-1 oil or equivalent) on both ends of the four pivot shafts, and each of the 8 bushing flanges. Cycle the linkage forward and backward several times and wipe away any excess oil.

WARRANTY

We stand behind the products we sell and want you to have an amazing experience with your Redshift components. Warranty details and return instructions for all Redshift products can be found at www.redshiftsports.com/warranty.