

REDSHIFT ARCLIGHT

SMART LED BICYCLE PEDALS INSTALLATION INSTRUCTIONS

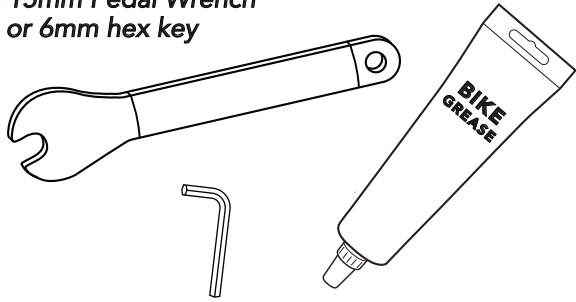
For the most up-to-date instructions, instructional videos and additional resources, visit www.redshiftsports.com/arclight.

COMPATABILITY:

Arclight pedals use standard 9/16in threaded spindles and will attach to any bicycle crank accepting this size.

TOOLS NEEDED:

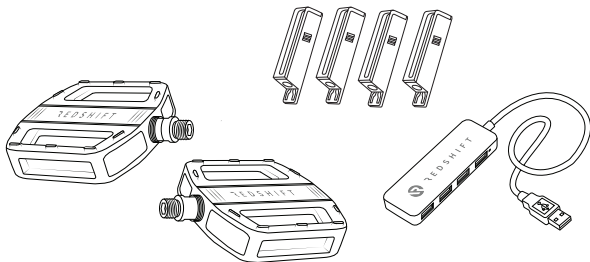
- Bike Grease
- 15mm Pedal Wrench
or 6mm hex key



***NOTE:** If you do not own these tools, or do not feel comfortable performing these instructions, please visit your local bike shop for help. This is a 2 minute job with the right tools and experience!

INCLUDED:

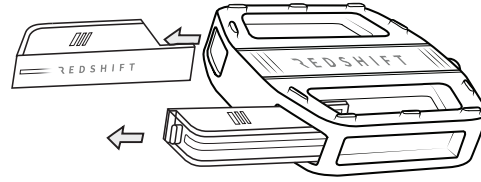
- 2x Arclight Pedals
- 4x Arclight Light Modules
- 1x Arclight USB Charging Dock



BEFORE YOU START:

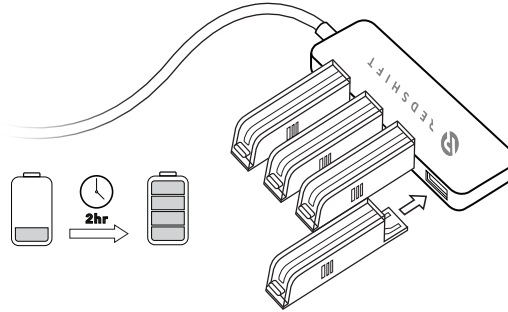
Remove Arclight Light Modules from pedals.

Slide all four light modules out of the pedals.



Charge all Arclight Light Modules.

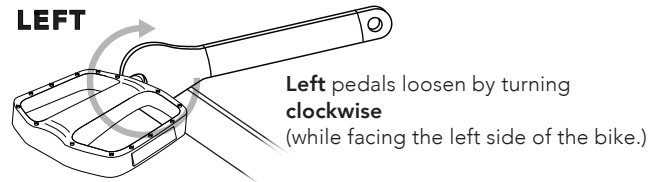
Use the included charging hub, or plug a light module into any female USB slot. The indicator light on each light module will switch from orange to green when they are fully charged. After 10 minutes, the green light will shut off.



STEP 1:

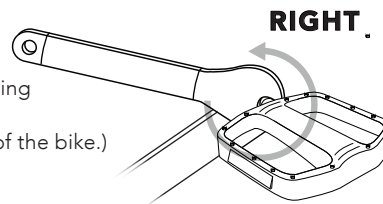
Unscrew your old bicycle pedals using a pedal wrench, or hex key.

LEFT



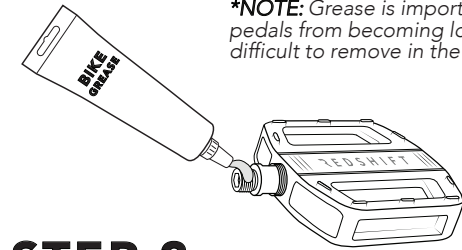
Left pedals loosen by turning clockwise
(while facing the left side of the bike.)

Right pedals loosen by turning counter-clockwise
(while facing the right side of the bike.)



STEP 2:

Apply bike grease to the threads on both pedals.

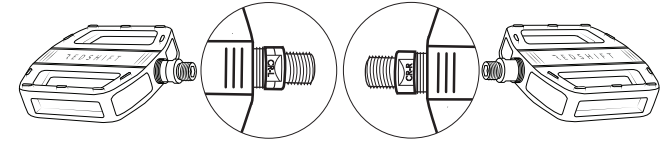


***NOTE:** Grease is important to prevent pedals from becoming locked and difficult to remove in the future.

STEP 3:

Identify Left and Right Pedals

Right pedal will have CR-R marking on the spindle.
Left pedal will have CR-L marking on the spindle.
Left pedal will have an additional groove on the spindle.

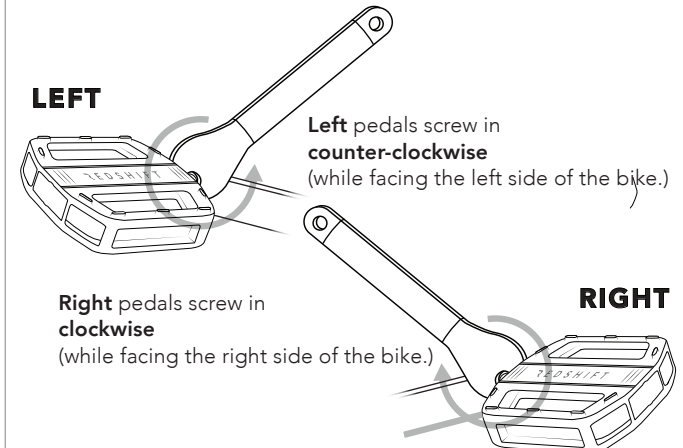


***NOTE:** Redshift logo on pedals will be legible when Right and Left are oriented correctly. If the logo is upside down, Right and Left are mixed up.

Screw in Arclight Pedals using pedal wrench or hex key.

It is recommended to then tighten to 35Nm using a torque wrench to ensure the pedals won't become loose over time.

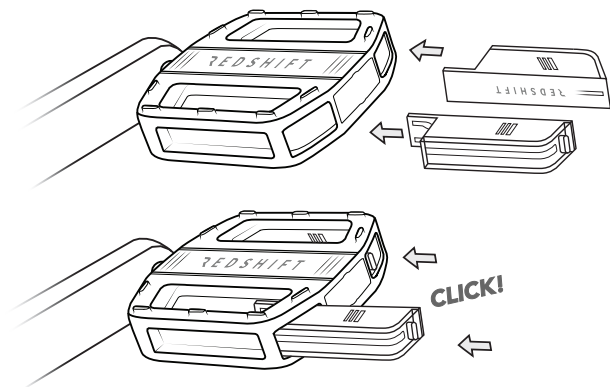
⚠ CAUTION: It's VERY IMPORTANT to correctly install the Right v Left pedals. Incorrectly switching them and cross-threading will lead to damage! If the pedals are not going in easily by hand the first few turns make sure to check you have the correct pedal.



STEP 4:

Remove Light Modules from charger and insert into pedals.

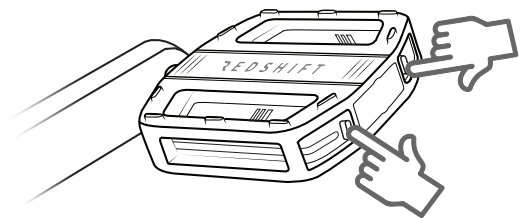
You should hear a magnetic click



STEP 5:

Press button on each light module to turn on and select mode.

Light module will automatically switch from white to red depending on the orientation of the pedal - no user input needed.



First Press	Steady Light	3+ hours battery life
Second Press	Flash	11+ hours battery life
Third Press	Eco Flash	36 + hours battery life

***NOTE:** Battery life will vary depending on usage and conditions

OPERATION TIPS:

Auto On/Off functionality



30 sec

Standby Mode - After 30 seconds without sensing movement, the light modules will turn off and enter standby mode. They will turn on again when slight movement is sensed.



150 sec

Sleep Mode - After 150 seconds without sensing movement, the light modules will enter sleep mode. They will turn on again when heavier movement is sensed.



Shut Off - After 24hrs on Sleep mode, the light modules will completely shut off and need to be manually turned on by pressing the button.



Removing a Light Module - Will automatically turn it off. When it is inserted again, it will need to be turned on by pressing the button.

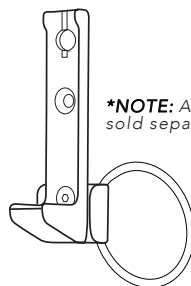


Pressing and Holding the Button - Will power off the light module. Pressing the button again is the only way to turn it back on.

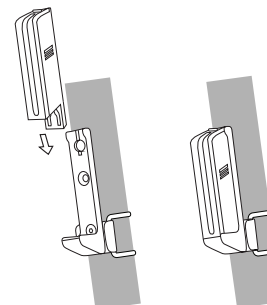
ALSO COMPATIBLE WITH:

Arclight light modules compatible with Multi-Mount (sold separately.)

The Multi-Mount allows you to mount your Arclight light modules to be used as front or rear visibility lights on additional locations such as the bike seatpost or handlebars.



***NOTE:** Arclight Multi-Mount sold separately



⚠ WARNING

- This product is not guaranteed to prevent accidents or keep you visible from motorists in all situations.
- Please follow your local traffic laws and always use best judgement when sharing the road with cars.
- This product may not comply with some European bicycle light laws such as StVZO regulations in Germany. This product should only be used for off-road applications in such jurisdictions.
- Arclight lights are designed to increase your visibility to others, and are not intended to be used as a headlight or navigational light.
- In order to maintain battery health, always maintain the light modules charged. Failure to charge after depleting the battery may degrade battery lifetime.
- Regularly clean and inspect all surfaces of the pedal (especially after a crash or hard impact) for hairline cracks or signs of damage. Immediately cease use of the component if cracks or signs of damage are found and contact Redshift Sports customer service.
- Failure to follow these instructions and warnings may result in malfunction or breakage of this product, possibly causing serious injury or death.