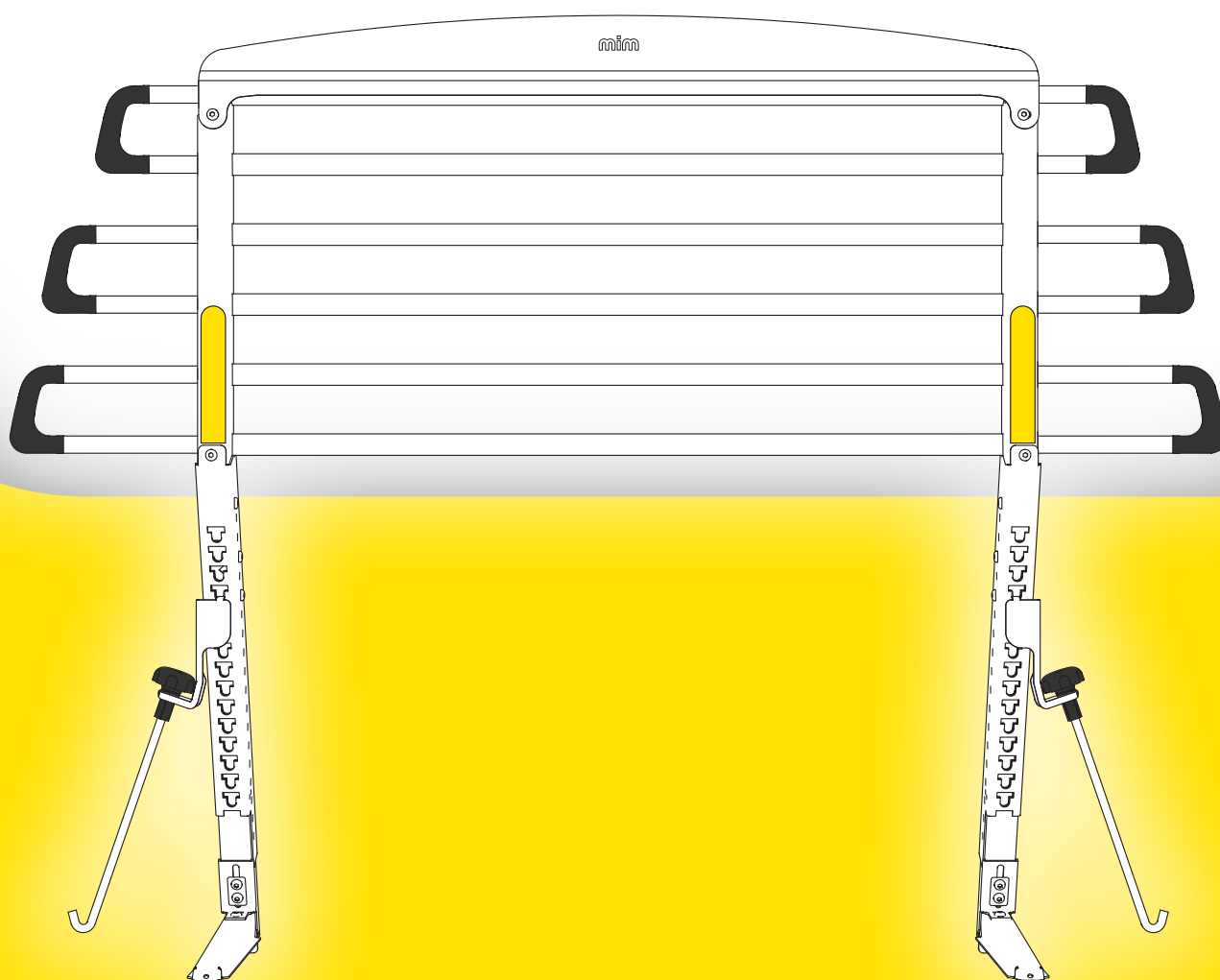


mimSAFE

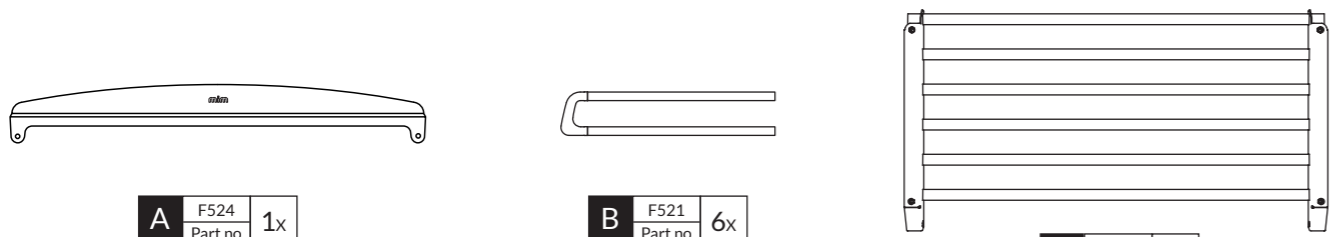
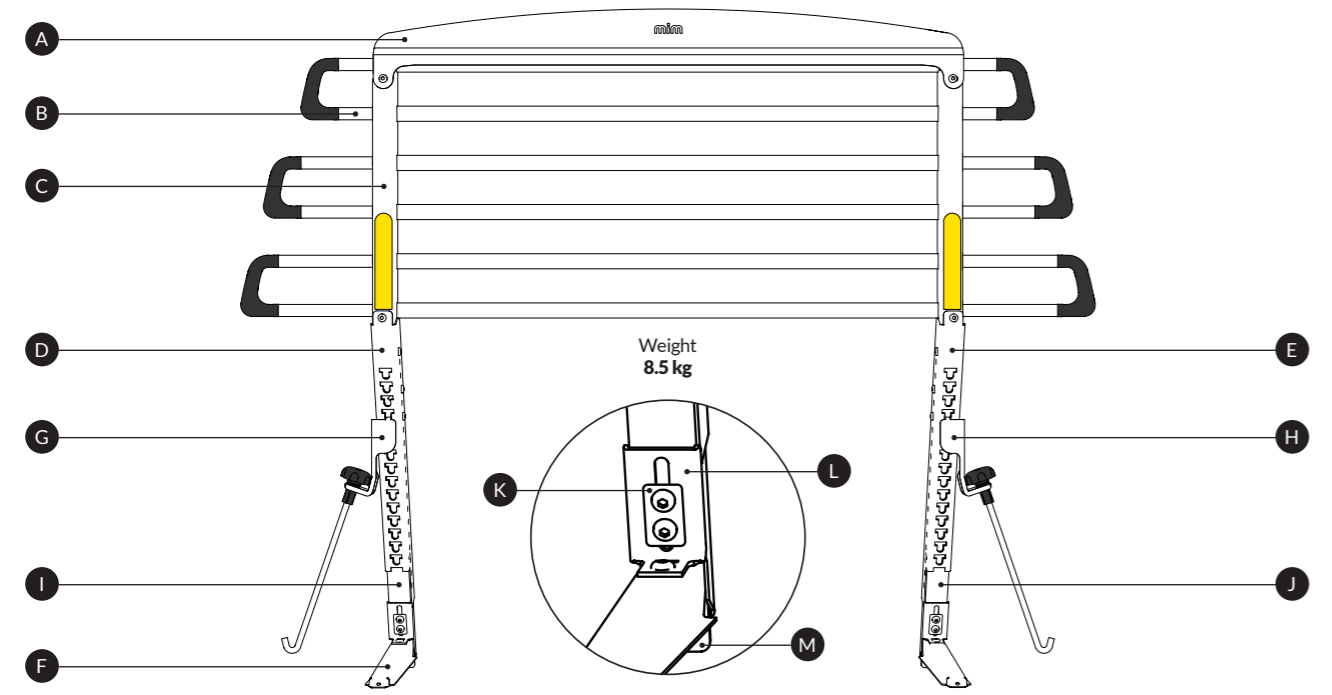
www.mimsafe.se



ASSEMBLY INSTRUCTIONS

VARIOBARRIER

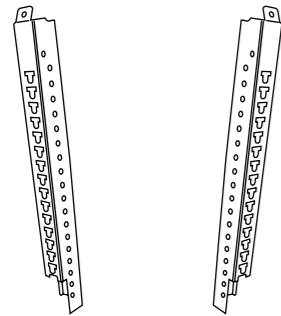
medium



A F524
Part no 1x

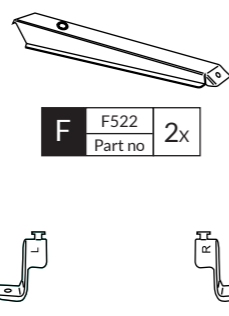
B F521
Part no 6x

C FS509
Part no 1x



D F514L
Part no 1x

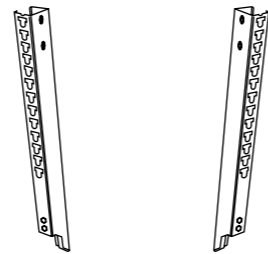
E F514R
Part no 1x



F F522
Part no 2x

G F526L
Part no 1x

H F526R
Part no 1x

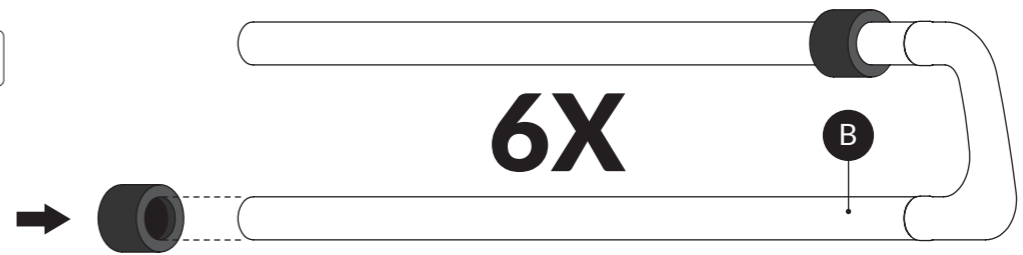


I F510L
Part no 1x

J F510R
Part no 1x

F529 2X K	F527 2X L	F528 2X M	M-460641AY 12X rubber end caps	M-460641AL 12X plastic end caps	M-M37202_2014 2X
M-SM6X14AI 18X 	ALLEN KEY 4 1X 	M-10683 2X 	M-460641K 2X 	M-460641I 2X 	

STEP
1

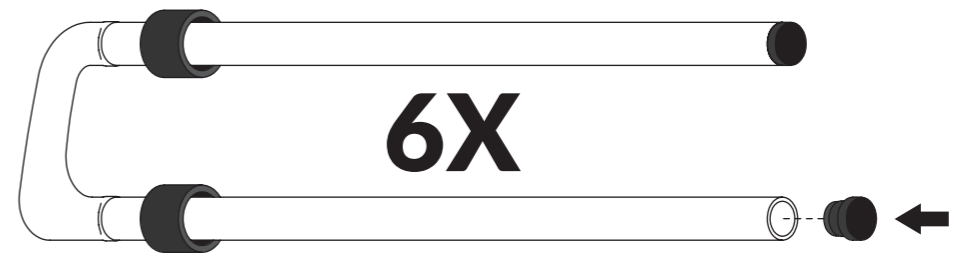


M-460641AY
12X



rubber end caps

STEP
2

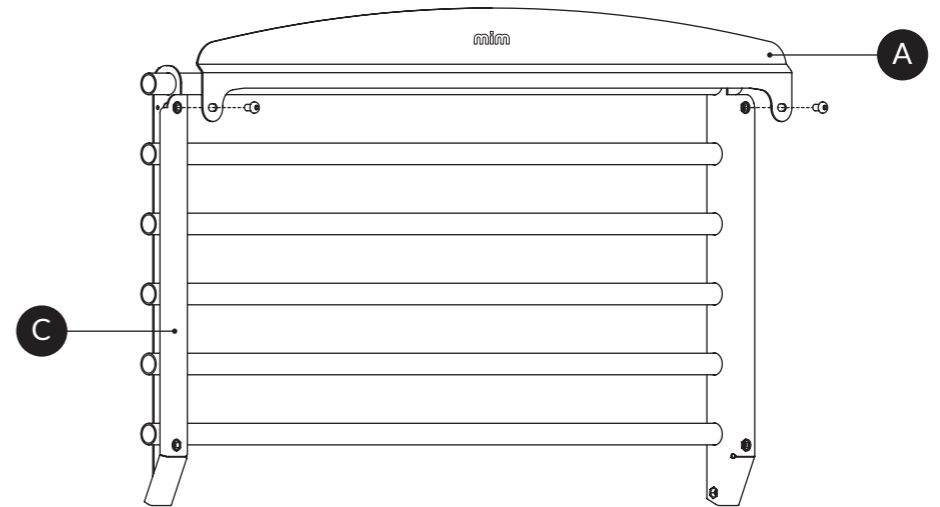


M-460641AL
12X



plastic end caps

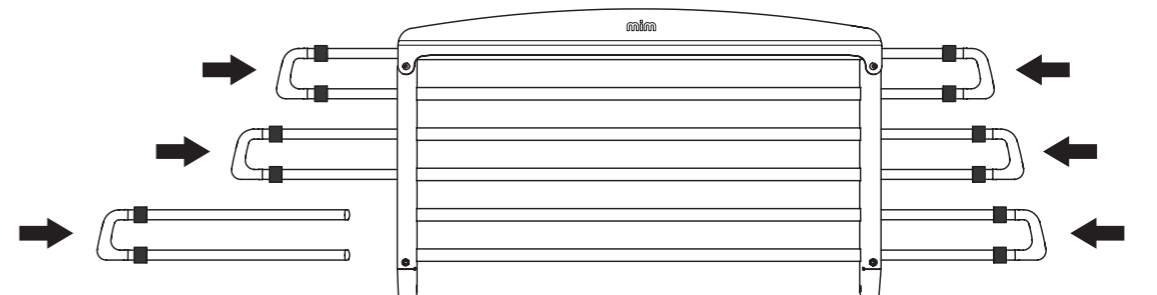
STEP
3



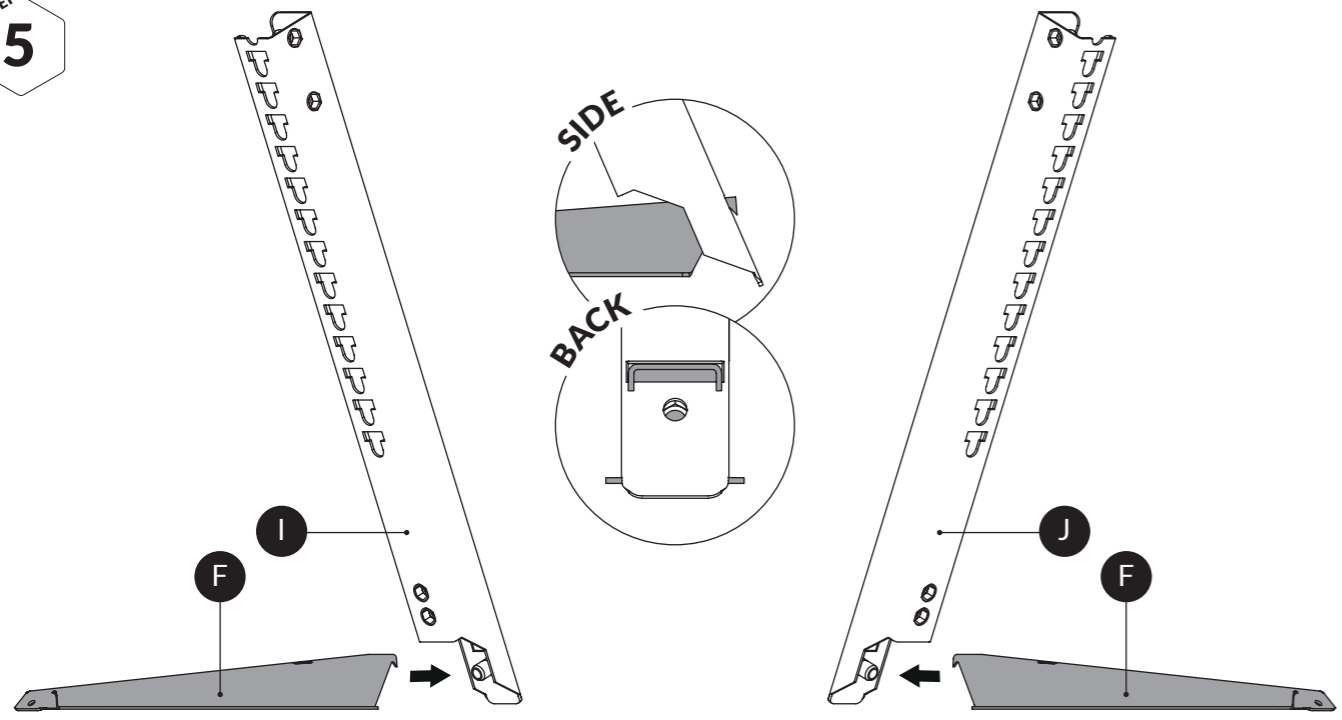
M-SM6X14AI
2X



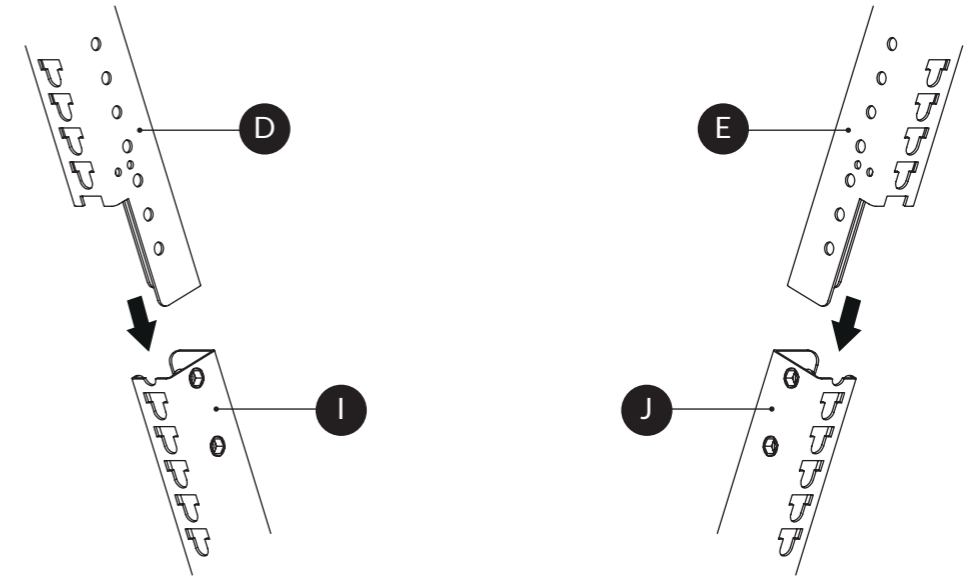
STEP
4



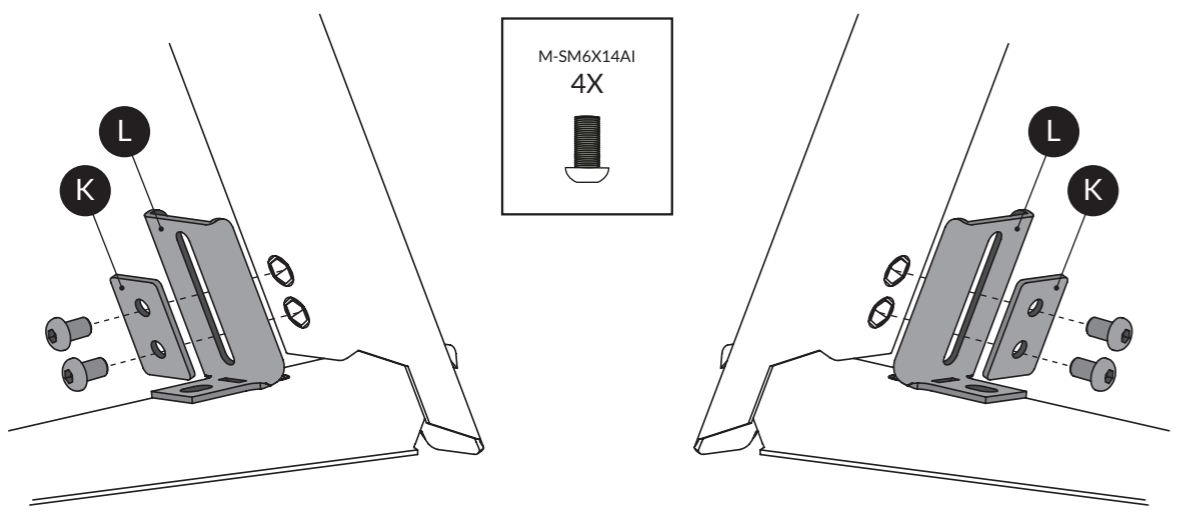
STEP 5



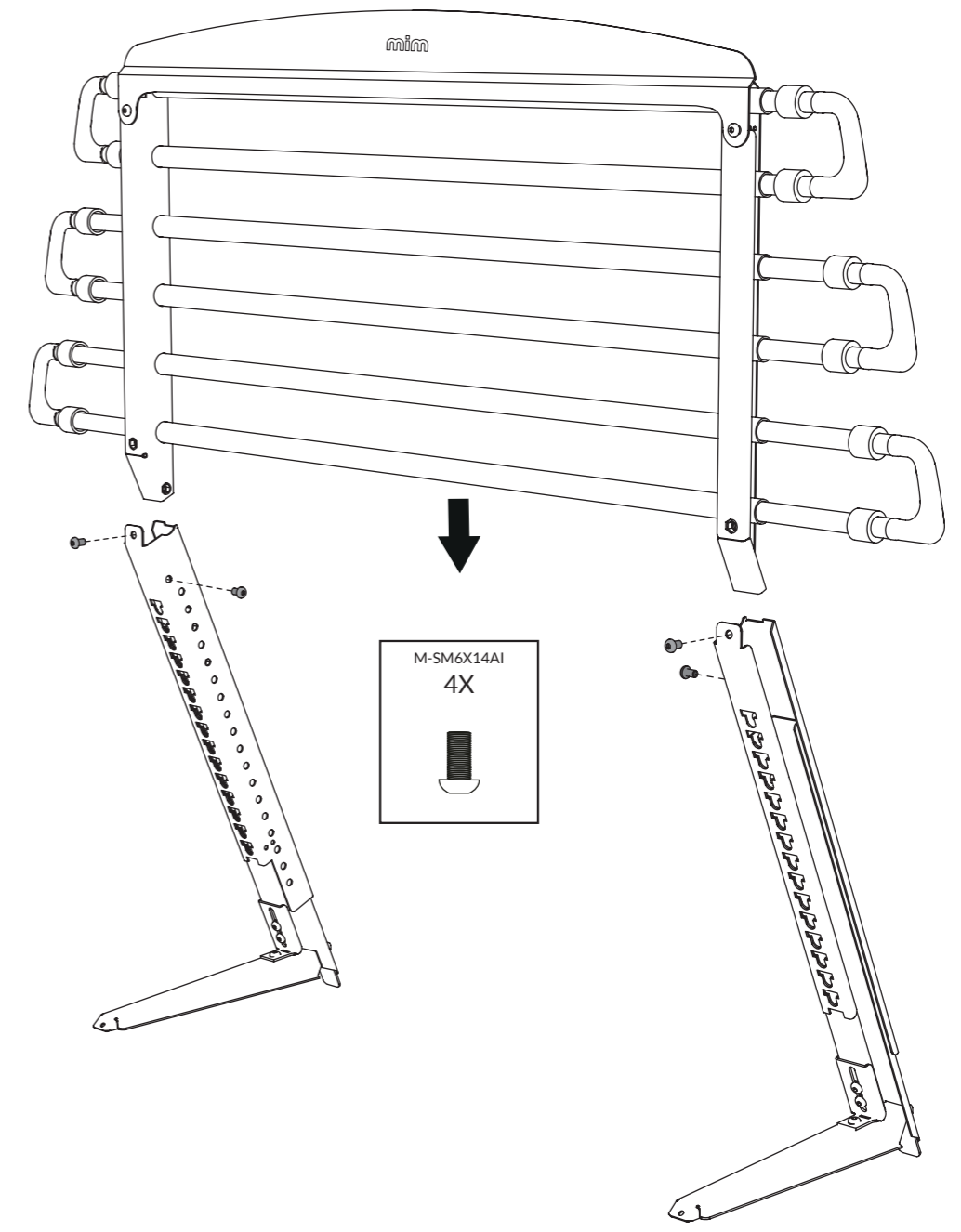
STEP 8



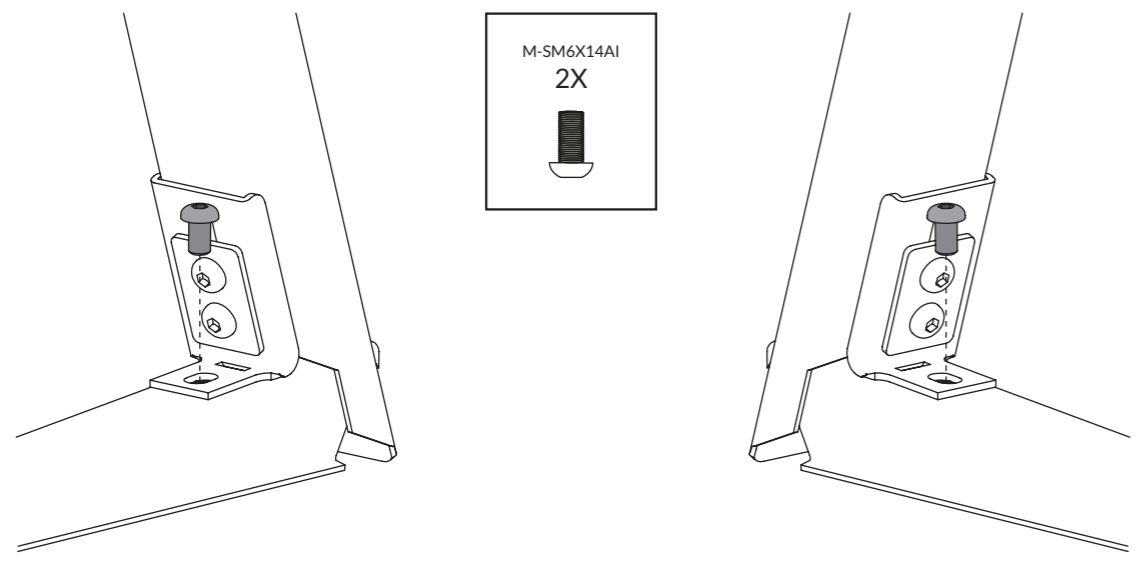
STEP 6



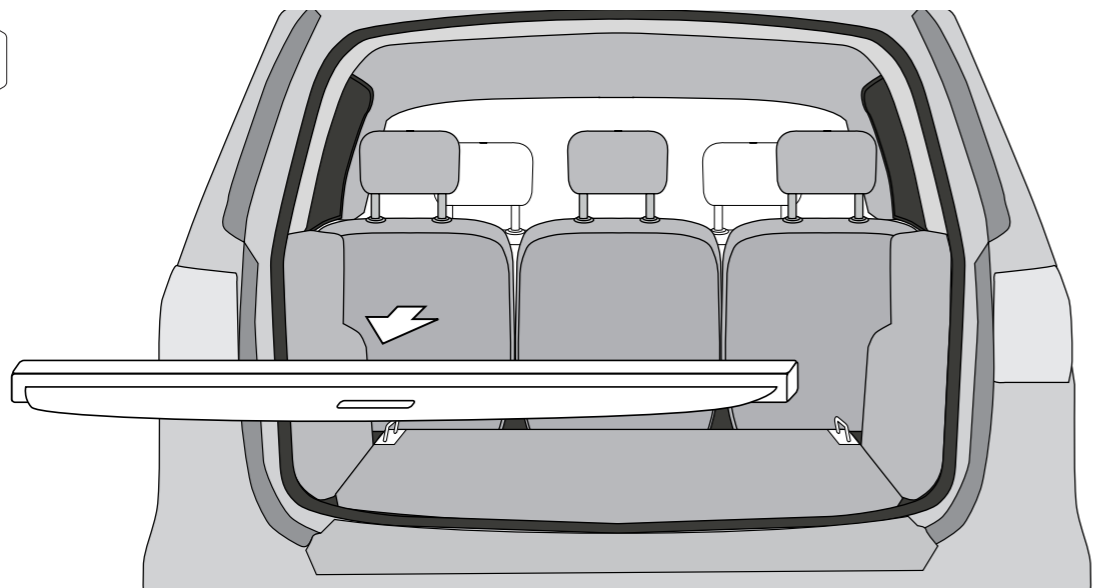
STEP 9



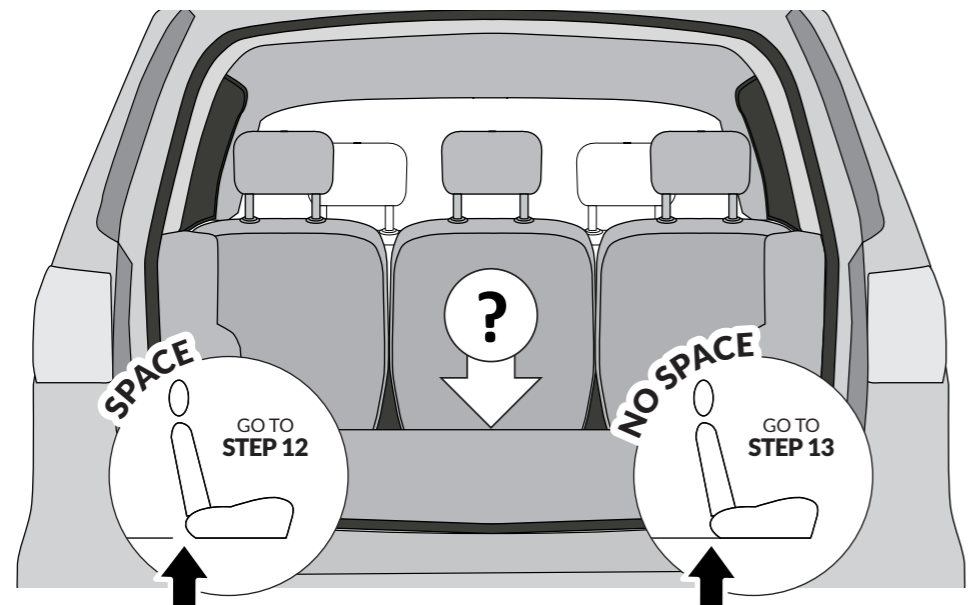
STEP 7



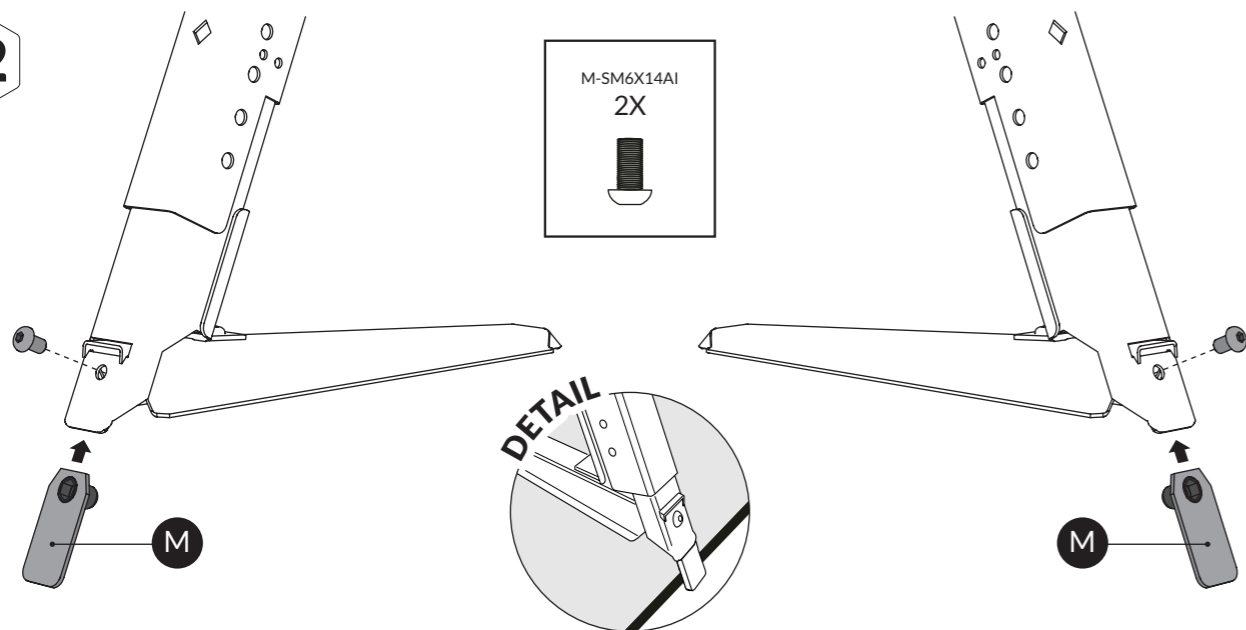
STEP 10



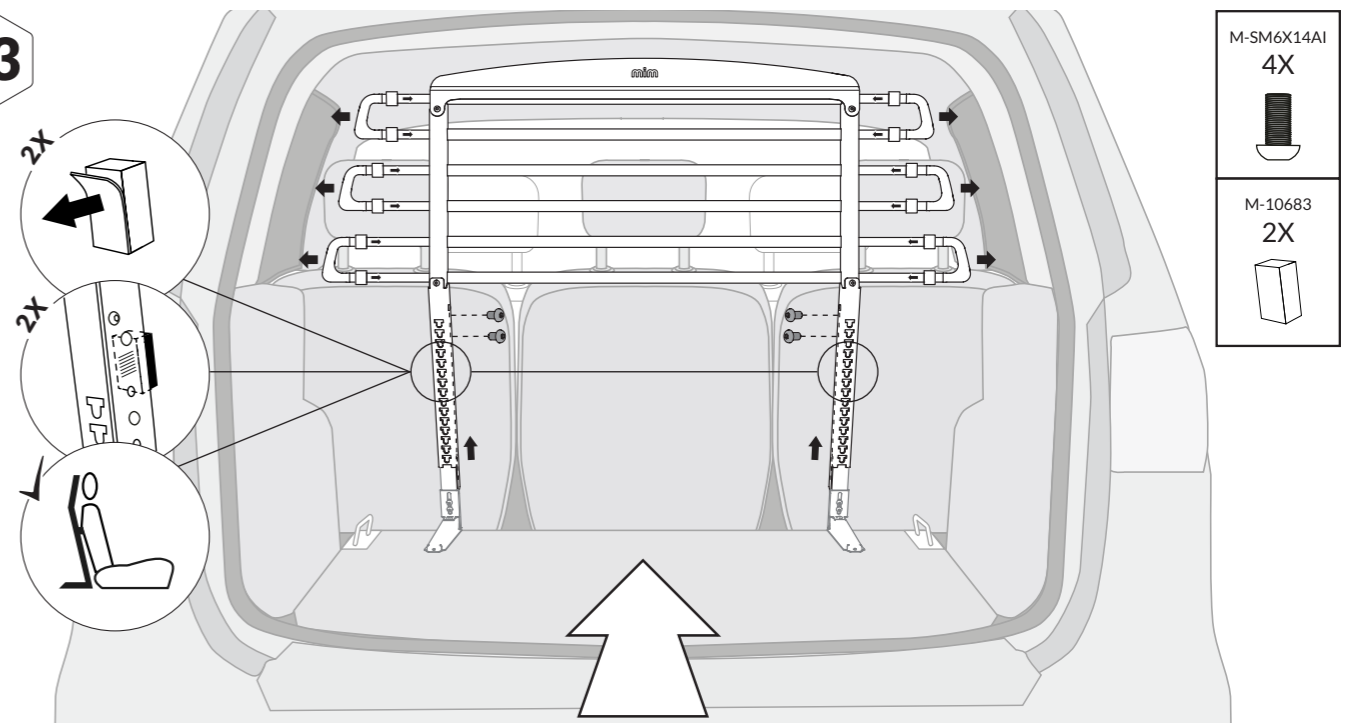
STEP 11



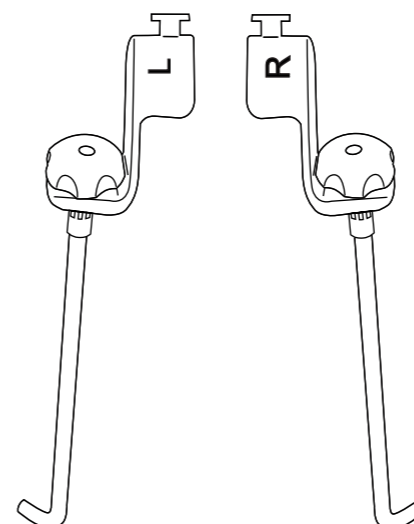
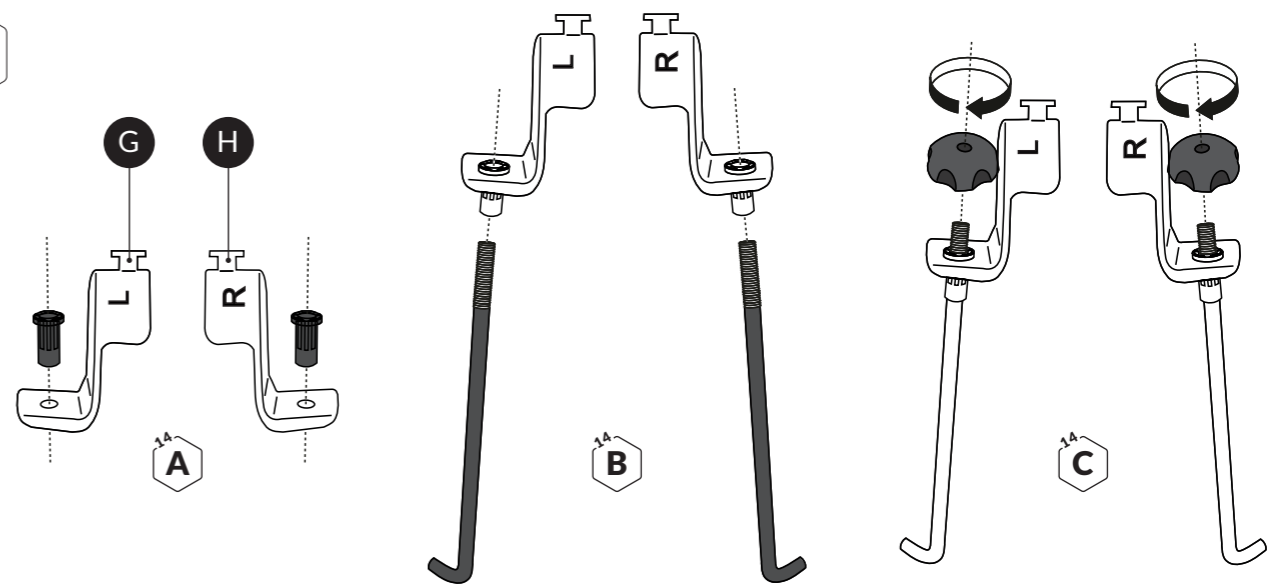
STEP 12



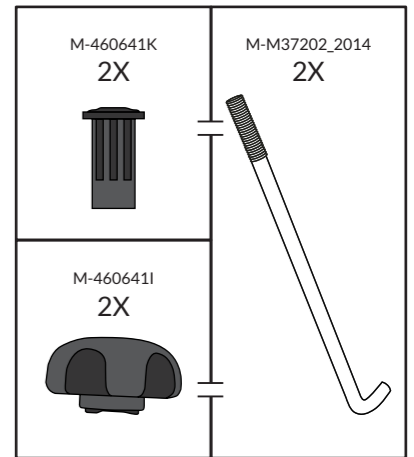
STEP 13



STEP 14



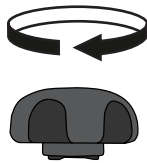
NO TOOLS IN THIS STEP
USE HANDS ONLY



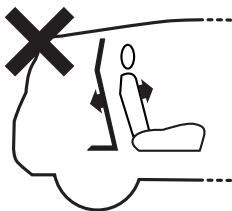
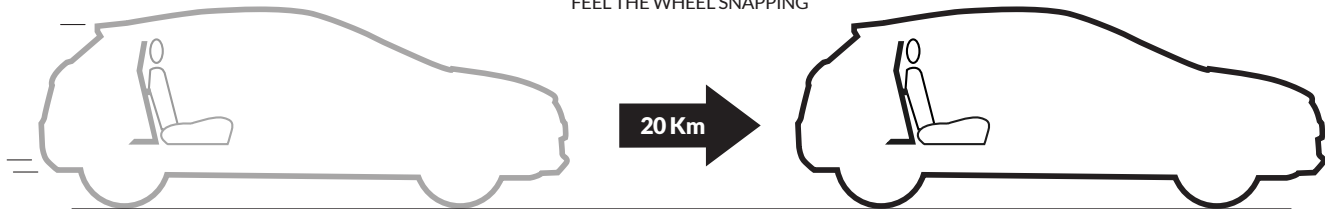
STEP
15



STEP
16



USE HANDS ONLY
TIGHTEN THE WHEELS AGAIN
FEEL THE WHEEL SNAPPING

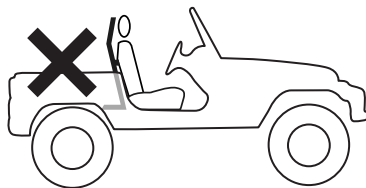


VarioBarrier must
ALWAYS BE PLACED
against the back seat



WARNING

VarioBarrier is
NOT SUITABLE FOR
outdoor use



Wipe with a
DAMP CLOTH
with soap

