



Model:

GBPKU

Our Upgraded plumbing kit features everything you need to get your tub installed as quick as possible, with a heavy duty 8" on center faucet.

- Union Brass 8" on-center (2) handle faucet
- Vacuum breaker
- T&S Brass Spray head with coiled hose
- 3½" Spin-N-Lock sink basket strainer
- Mesh strainer
- 1½" white PVC "P" trap with (3) wing nuts
- Includes a stainless steel holder to hang the heavy duty spray head on
- Groomers Best Recommends using Flexible Stainless Steel Hoses to connect to the faucet from your water source
- Designed for use with all Groomer's Best Tubs

Groomers Best Inc. 616 S Sioux Blvd, Brandon SD 57005

605-582-3013

customerservice@groomersbest.com



**T&S BRASS AND BRONZE WORKS, INC.**  
 2 SADDLEBACK COVE / P.O. BOX 1088 / TRAVELERS REST, SC 29690  
 PHONE 800-476-4103 - FAX 864- 834-3518



Model No.

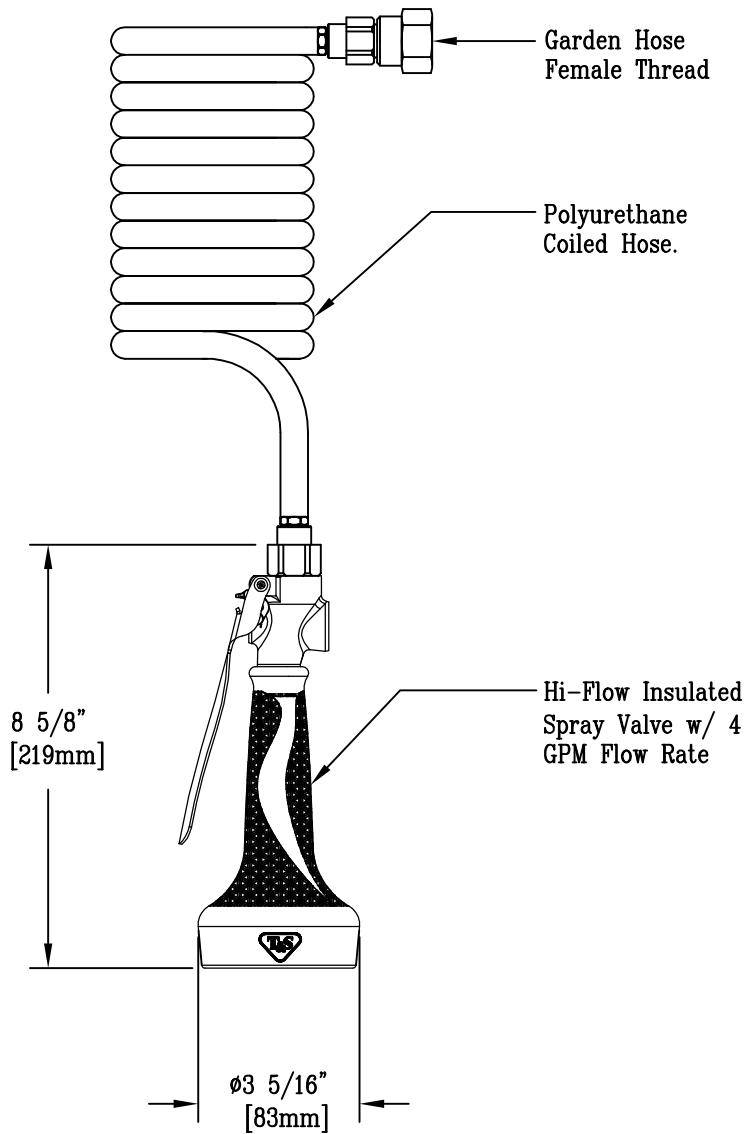
PJ-108H-CH01

**RELIABILITY  
 BUILT IN**

Job Name:

Architect/Engineer Approval:

Notes:



Product Description:

High Flow Spray Valve w/ Polyurethane Coiled Hose  
 Includes Female Garden Hose Adapter

Drawn:

WJS

Approved

JHB

Checked

JRM

Scale:

1 : 4

Date:

8/9/06



**T&S BRASS AND BRONZE WORKS, INC.**  
 2 Saddleback Cove / P.O. Box 1088  
 Travelers Rest, SC 29690



Model No.  
**B-0108-C**

Item No.

Travelers Rest, SC: 800-476-4136 | San Jose, CA: 800-423-0150 | Fax: 864-834-3518 | www.tsbrass.com

This Space for Architect/Engineer Approval

Job Name \_\_\_\_\_ Date \_\_\_\_\_

Model Specified \_\_\_\_\_ Quantity \_\_\_\_\_

Customer/Wholesaler \_\_\_\_\_

Contractor \_\_\_\_\_

Architect/Engineer \_\_\_\_\_

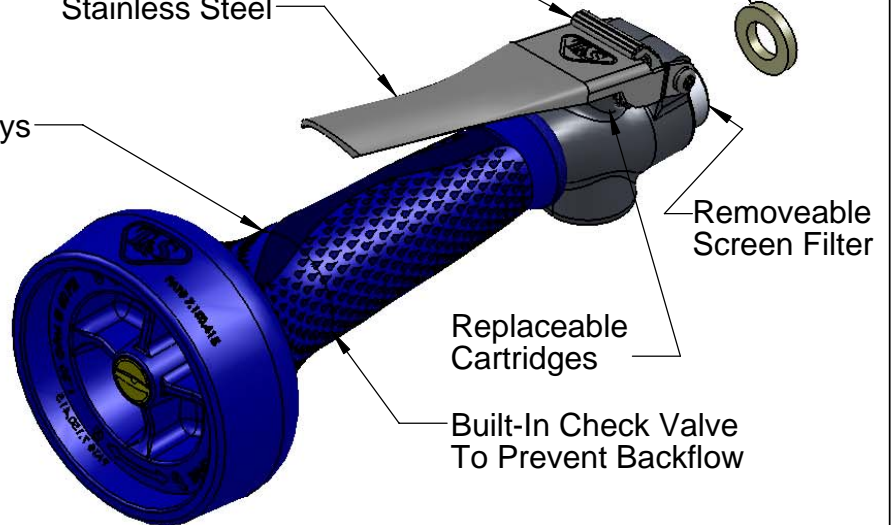
**EPAct2005 COMPLIANT**

Non-Slip Ergonomic Santoprene  
 Grip w/ Built-in Heat Dissipation  
 Channels  
 Crush-Resistant w/ Delrin Waterways

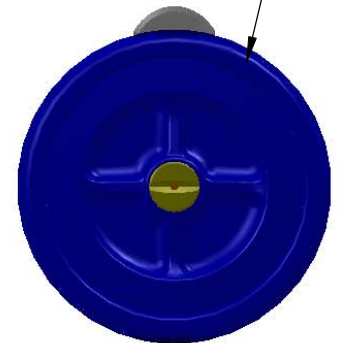
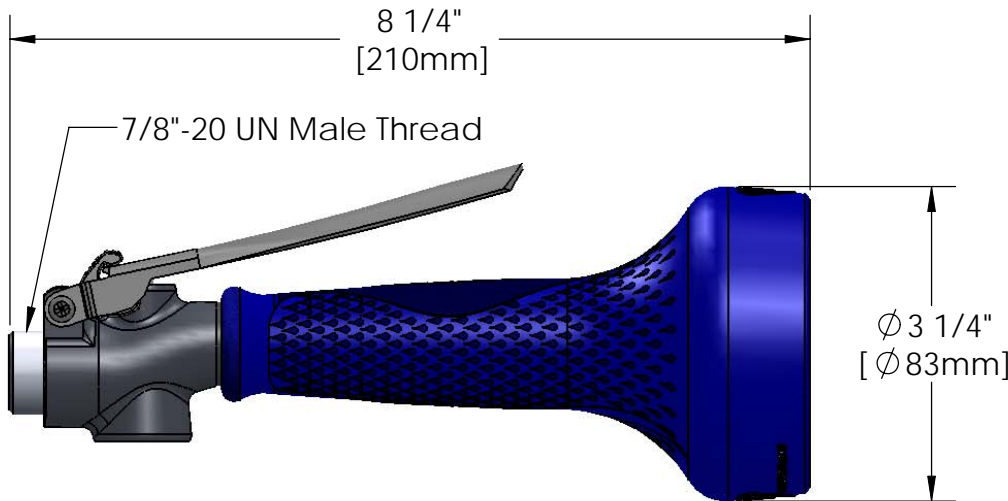
Extra Washer For Hose Connections

One-Handed Metal Trigger  
 Lock w/ Added Anti-  
 Rotational Feature

Surgical-Grade Polished  
 Stainless Steel



1.20 GPM @ 60 PSI  
 Optional B-0108  
 1.48 GPM Available



Product Specifications:  
**1.20 GPM Spray Valve w/ Ergo-Grip,  
 Replaceable Spray Face, &  
 Integrated One-Handed Trigger Lock**

Drawn <b>KJG</b>	Checked <b>DHL</b>	Approved <b>JHB</b>
Scale: <b>1:2</b>		Date: <b>01/08/09</b>



# T&S BRASS AND BRONZE WORKS, INC.

2 Saddleback Cove / P.O. Box 1088  
Travelers Rest, SC 29690



REG. #A2601  
ISO #9001

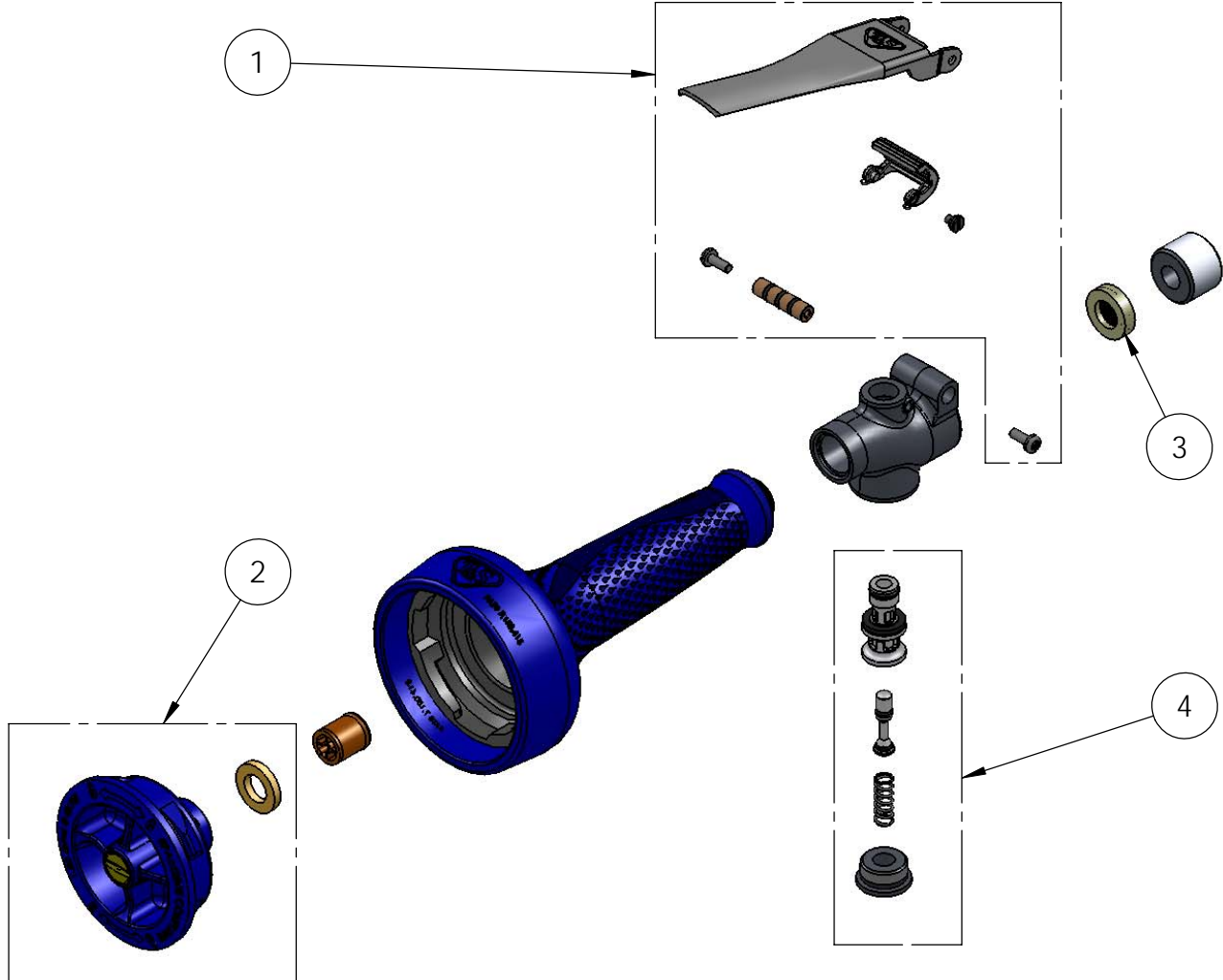
Model No.

**B-0108-C**

Item No.

Simi Valley, CA: 800-423-0150 Fax: 864-834-3518 www.tsbrass.com

ITEM NO.	SALES NO.	DESCRIPTION
1	108T-RK	Trigger Repair Kit
2	108CSF-RK	Spray Face Repair Kit
3	108S-RK	Inlet Screen/Washer Repair Kit
4	108V-RK	Valve Repair Kit

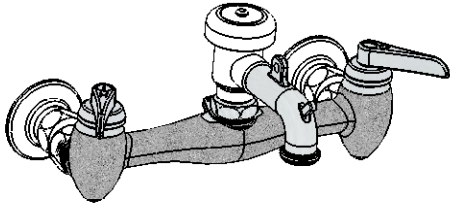


Note:  
Individual Items in Repair Kits  
are not Sold Separately

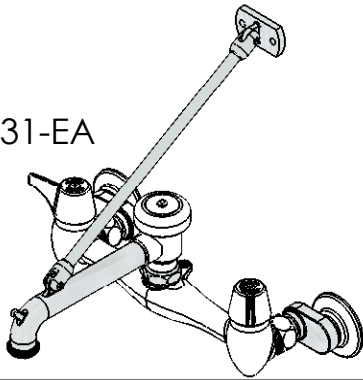
Product Specifications:  
**1.20 GPM Spray Valve w/ Ergo-Grip,  
Replaceable Spray Face, &  
Integrated One-Handed Trigger Lock**

Drawn <b>KJG</b>	Checked <b>DHL</b>	Approved <b>JHB</b>
Scale: <b>NTS</b>		Date: <b>01/08/09</b>

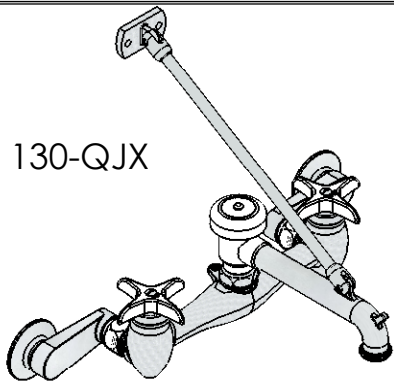
120 Series



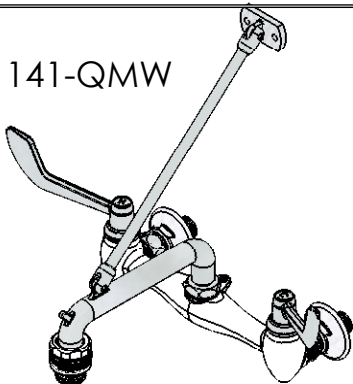
131-EA



130-QJX



141-QMW



## 120 & 130 & 140 Series

**Features:** Cast Brass Body  
 Chrome Plated Rough Or Polished Brass  
 Compression Or Quarter Turn Valves  
 Replaceable Seats

**120** = 4" Spout Standard Vacuum Breaker Rough Chrome  
**121** = 4" Spout Standard Vacuum Breaker Polished Chrome  
**130** = 6.5" Spout Standard Vacuum Breaker Rough Chrome  
**131** = 6.5" Spout Standard Vacuum Breaker Polished Chrome  
**140** = 6.5" Spout Outlet Vacuum Breaker Rough Chrome  
**141** = 6.5" Spout Outlet Vacuum Breaker Polished Chrome

Add the Letters for the following features if you want them added to the finished assembly.

The(\*) indicates that the part is the standard normal part for this assembly and requires no lettering

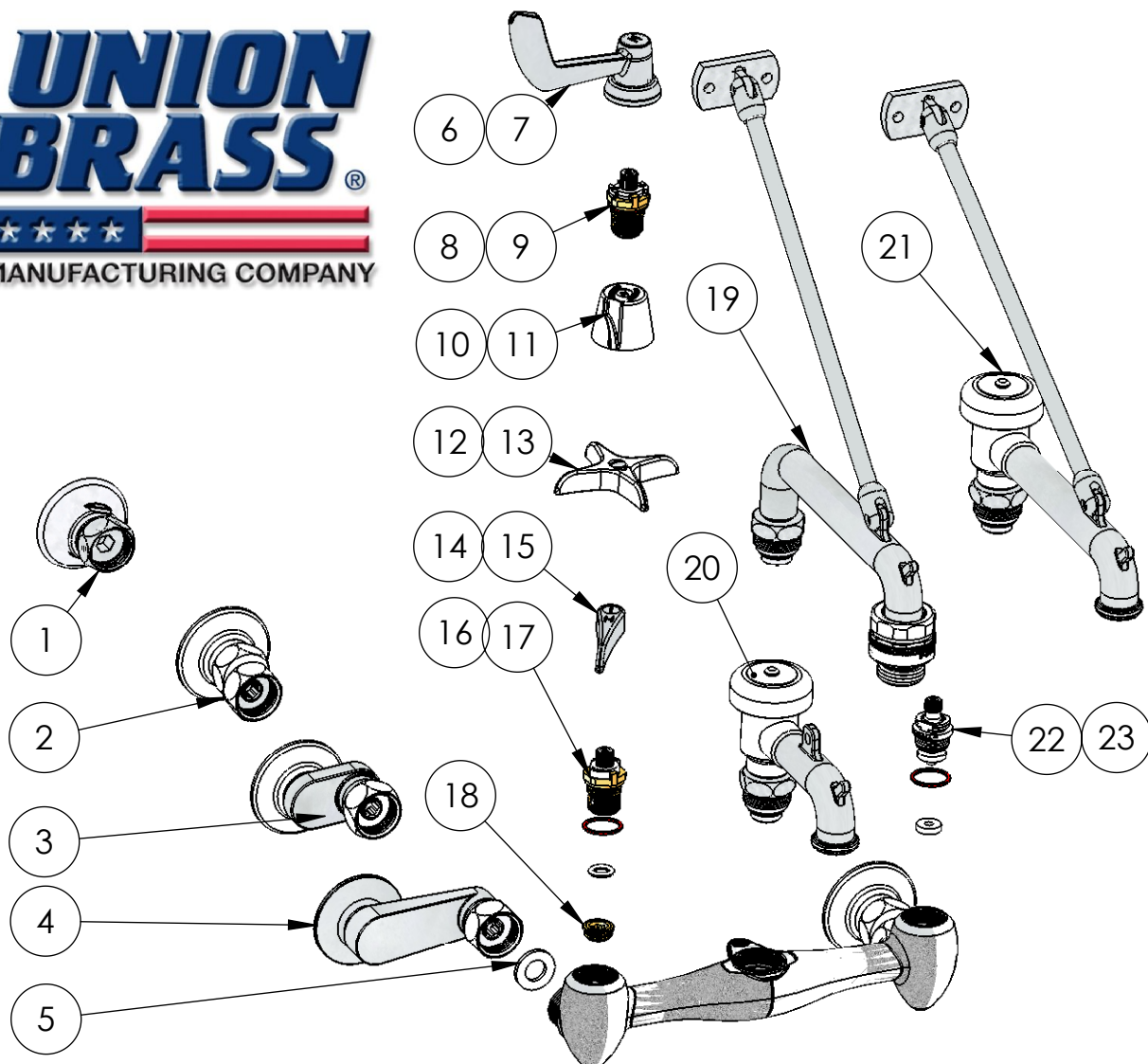
(\*) = Compression Valves  
 (Q) = Quarter Turn Ceramic Disk Valves

(\*) = 3/16 Eccentric Female Flange (7&5/8 -8&3/8" supply centers)  
 (M) = 3/64 Eccentric Male Flange (7&29/32 - 8&3/32" supply centers)  
 (E) = 1" Eccentric Female Flange ( 6 -10" supply centers)  
 (J) = 2.5" Eccentric Female Flange ( 3-13" supply centers)

(\*) = Blade Handle  
 (A) = Wall mount Style Handle  
 (X) = Cross Handle  
 (W) = Wrist Blade Handle

**American Craftsmanship Since 1892**

When Ordering Specify Complete Model Number



### 120, 130, 140 Series Mopsink Parts List

Item #	Part #	Description	Item #	Part #	Description
1	80025	Male Flange Assembly	15	80304	Blade Handle Assembly - Cold
2	88551	Female Flange Assembly	16	80079	1/4 Turn Ceramic Cartridge - Hot
3	89225	Eccentric Flange Assembly		12274	O-Ring
4	88235	Extra Wide Ecc. Flange Ass'y		13717	Fibre Washer
5	13703	Fibre Washer	17	80080	1/4 Turn Ceramic Cartridge - Cold
6	88184	Hospital Handle Assembly - Hot		12274	O-Ring
7	88185	Hospital Handle Assembly - Cold		13717	Fibre Washer
8	80089	Industrial 1/4 Turn Ceramic- Hot	18	12639	Seat
9	80090	Industrial 1/4 Turn Ceramic- Cold	19	80075	Long Spout W/Outlet Vacuum Breaker
10	80349	Handle Assembly - Hot	20	80085	Short Spout With Vacuum Breaker
11	80350	Handle Assembly - Cold	21	80095	Long Spout With Vacuum Breaker
12	80307	Cross Handle Assembly - Hot	22	88537	Compression Valve Ass'y - Hot
13	80308	Cross Handle Assembly - Cold	23	88538	Compression Valve Ass'y - Cold
14	80303	Blade Handle Assembly - Hot			

## UNION BRASS MANUFACTURING COMPANY

2955 Lone Oak Circle, Eagan, MN 55121 Phone (651) 454-8858 Fax (651) 454-1228  
 WWW.UNIONBRASS.COM