

KK1 Series

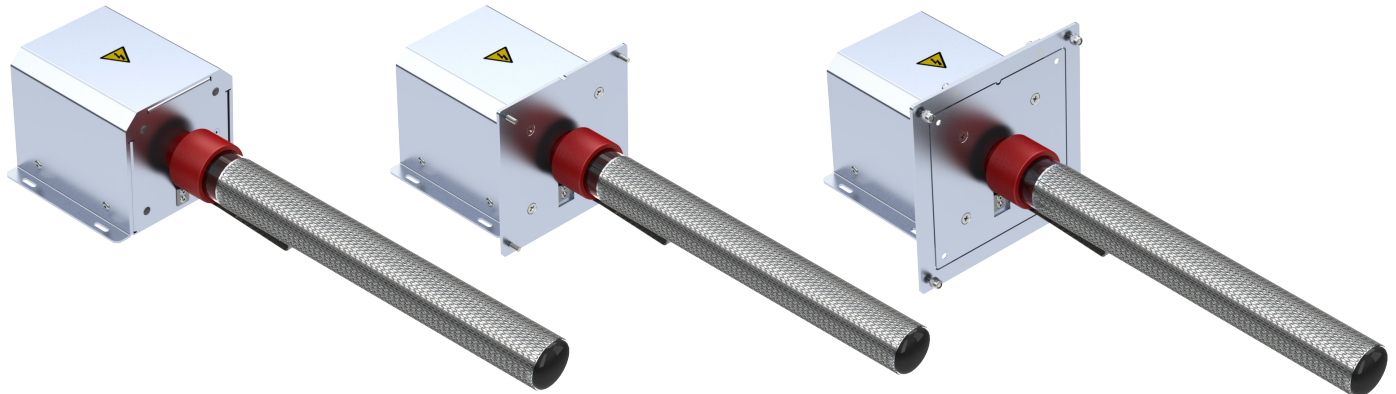
Pollutants
Degradation



Air
Disinfection



Odor
Elimination



Overview

KK1 is an one tube system. Applications are pollutants degradation, air refreshment, air disinfection and odor elimination for industrial, commercial use.

Specifications

Voltage	120 VAC ± 10% 50/60Hz
Power Consumption	3.2 W
Bentax® Tube Type	VTU (life time of 30,000 usage hours)
Active Room Air Cleaning Capability*)	with Tube Type F up to 4000 ft ² with Tube Type E up to 2500 ft ² with Tube Type D up to 1500 ft ²
Air Volume In Duct Air Cleaning **)	with Tube Type F up to 5000 CFM with Tube Type E up to 3500 CFM with Tube Type D up to 2000 CFM
Weight	~ 2.2 lb

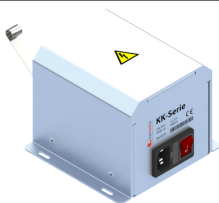
*) Depending on air quality, air distribution, room ft³, and tube size.


**) Depending on air quality and tube size.

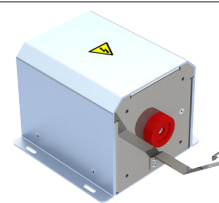
Variants

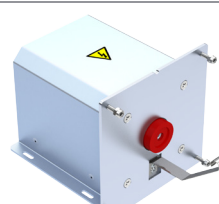
Feature	Plug C14	Cable 3 poles	Base	Mount Plate	Mount Frame
KK1-S	1		3		
KK1-SP	1			4	
KK1-SF	1				5
KK1-C		2	3		
KK1-CP		2		4	
KK1-CF		2			5

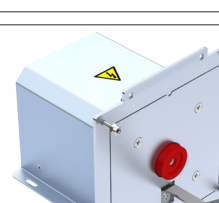
Details

- 

C14 power-socket (IEC 60320-1) with illuminated switch, fusebox and a NEMA 1-15 powercord (country specific)
- 

Fusebox and a 3 poles powercable (1m) with pre-stripped wire-ends.
- 

Base System mounted with hinge. Used when free access to the tube is ensured
- 

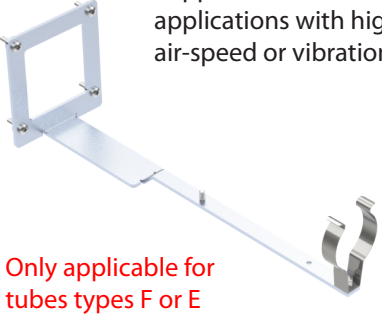
Base System mounted with Mounting-Plate in air-duct applications
- 

Base System mounted with Mounting-Frame for air-duct applications. Ideal for a quick access for Tube-Maintenance

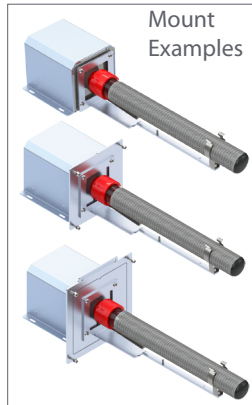
KK1 Series

Tube Support

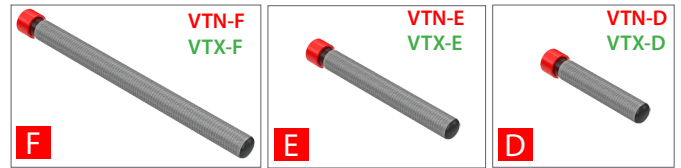
KK1-TH Tube Holder
Support for air-duct applications with high air-speed or vibrations



Only applicable for tubes types F or E

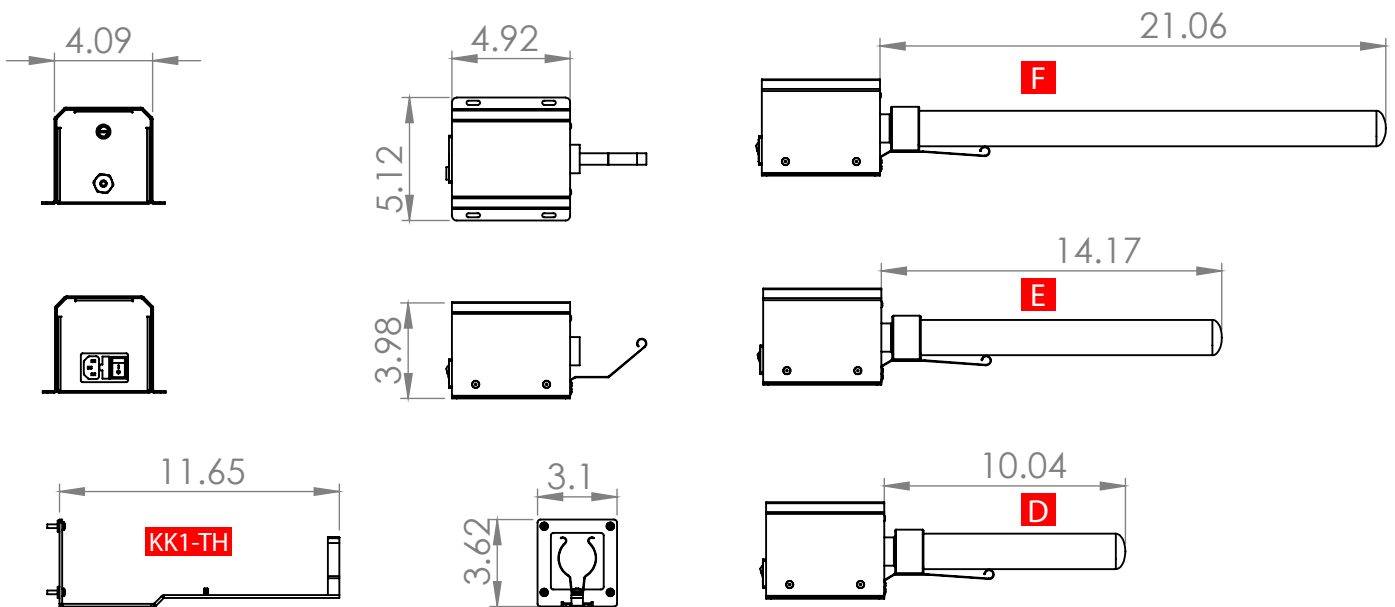


Tubes



Choose a tube as mandatory option when ordering a system

Dimensions (in)



Order Information

System	Order-Number	Tubes	Order-Number
KK1-S	11-12-13-01-01	VTN-F	61-11-11-11-00
KK1-SP	11-12-13-01-02	VTN-E	61-11-11-12-00
KK1-SF	11-12-13-01-03	VTN-D	61-11-11-13-00
KK1-C	11-12-13-02-01	VTX-F	61-11-12-01-00
KK1-CP	11-12-13-02-02	VTX-E	61-11-12-02-00
KK1-CF	11-12-13-02-03	VTX-F	61-11-12-03-00

Option	Order-Number
KK1-TH	11-12-13-80-01