

KH5F Series

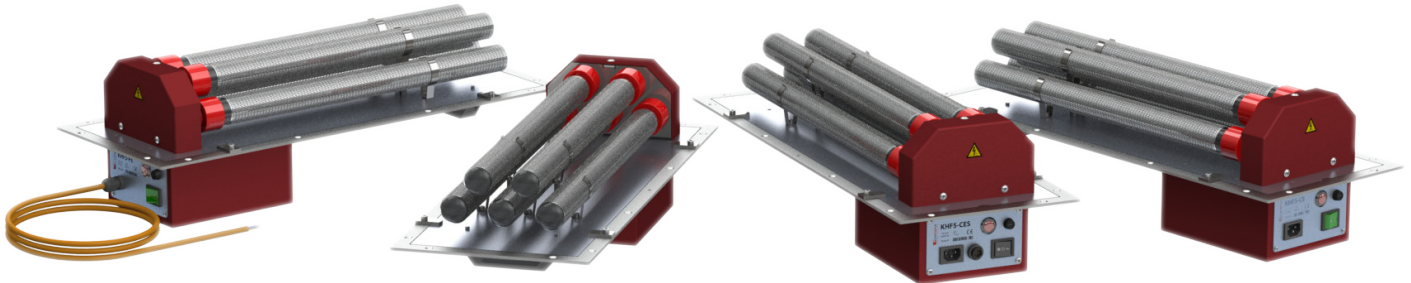
Pollutants
Degradation



Air
Disinfection



Odor
Elimination



Overview

Applications are pollutants degradation, air refreshment, air disinfection and odor elimination for industrial, commercial use.

Industrial areas such as food, chemicals, pharmaceuticals, agriculture, paints and varnishes, solvents, medicine, hospitals, waste disposal, waste water treatment and many more.

All units are equipped from factory with five bipolar ionization tubes from the Bentax® VTU Series.

Available in different variants to meet your requirements.

The system can be ordered with an C14 power-socket (IEC 60320-1) with illuminated switch, fusebox and NEMA 1-15 powercord or alternatively with a fusebox and a powercable (3 poles) with pre-stripped and thinned wire-ends.

Optional Mounting Frame and/or ICS Controller Interface

Specifications

Voltage	120 VAC ± 10% 50/60Hz
Power Consumption	42W
Bentax® Bipolar Ionization tube type	VTU (life time of 30,000 usage hours)
Active Room Air Cleaning Capability*)	up to 20,000 ft ²
Air Volume In Duct Air Cleaning **)	up to 25,000 CFM
Weight	19.8 lb

*) Depending on air quality, air distribution, and room ft³.

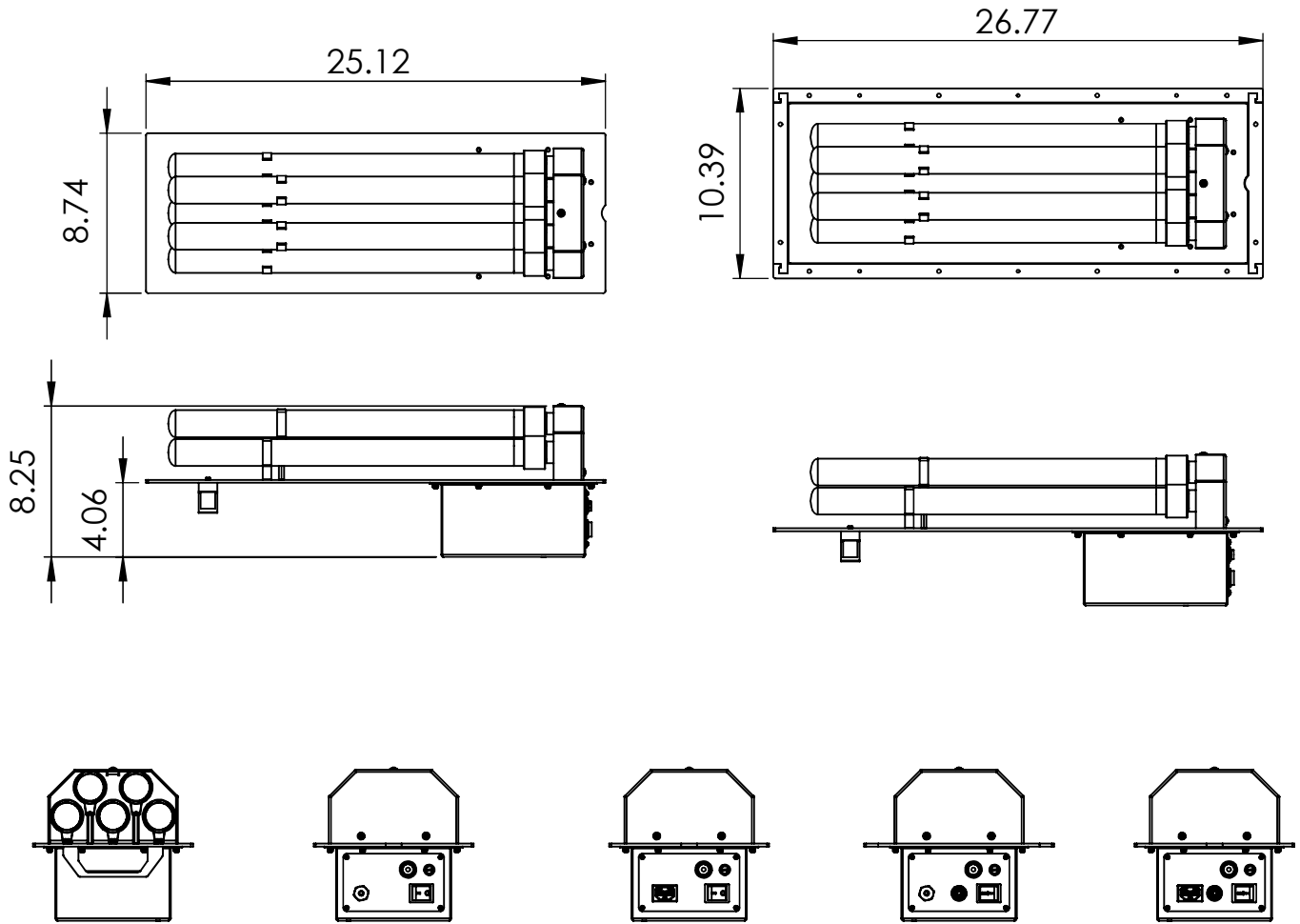
***) Depending on air quality and tube size.

Variants

	Power Plug C14	Power Cable 3 poles	Mounting Frame	ICS Controller Interface
KH5F - C	Red			
KH5F - CF			Red	
KH5F - CR	Red			Red
KH5F - CRF	Red		Red	Red
KH5F - P		Red		
KH5F - PF		Red	Red	
KH5F - PR		Red		Red

KH5F Series

Dimensions (in)



Order Information

Type	Socket C14	Mount Frame	ICS	Order-Number *)
KH5F-C	✓			11-11-51-10-10
KH5F-CF	✓	✓		11-11-51-10-11
KH5F-CR	✓		✓	11-11-51-11-10
KH5F-CRF	✓	✓	✓	11-11-51-11-11

Type	Cable 3 poles	Mount Frame	ICS	Order-Number *)
KH5F-P	✓			11-11-51-20-10
KH5F-PF	✓	✓		11-11-51-20-11
KH5F-PR	✓		✓	11-11-51-21-10
KH5F-PRF	✓	✓	✓	11-11-51-21-11

*) Factory equipped standard tube is an VTU (30,000 usage hours) type. For an up-charge, you can order an VTUX (45,000 usage hours) tube instead, just add /X after the order-number