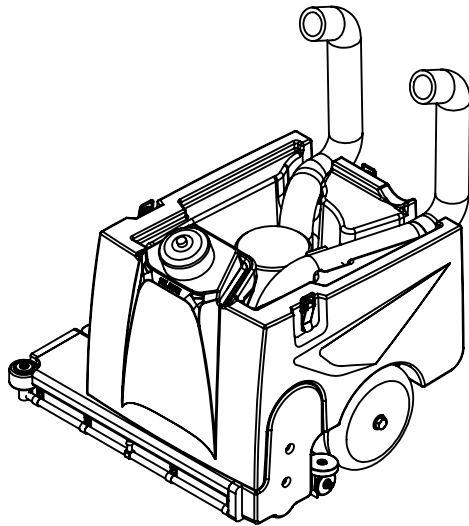


8 7 6 5 4 3 2 1

THE INFORMATION CONTAINED IN THIS DRAWING IS THE SOLE PROPERTY OF SPECTRUM INDUSTRIAL PRODUCTS. ANY REPRODUCTION IN PART OR WHOLE WITHOUT THE WRITTEN PERMISSION OF SPECTRUM INDUSTRIAL PRODUCTS IS PROHIBITED. ALL RIGHTS RESERVED © 2020



ITEM NO.	PART NUMBER	DESCRIPTION	QTY.
1	mm6001_02.BSPLT	BASE PLATE	1
2	mm6034_01.IDL_SD_BRSH_MNT	FREE SIDE BRUSH MOUNT	1
3	mm6033_01.DRV_SD_BRSH_MNT	DRIVE SIDE BRUSH MOUNT	1
4	mm6032_02.BRSH_PLLY	LARGE PULLEY	1
5	mm6054_01.SQGE_BLD	SQUEEGEE	2
6	4155_01.WHL_ADJSTR_MNT_B	WHEEL ADJUSTOR MOUNT MOD	2
7	4156_01.WHL_ADJSTR_SLD	WHEEL ADJUSTOR SLIDE	2
8	4143_01_WHL	WHEEL	2
9	4182_WSHR	WASHER 3/8 X 0.05	2
10	4183_SCRW	BOLT 3/8 - 16 X 2	2
11	mm6015_01.SQG_BRKT_UPR	UPPER SQUEEGEE BRACKET	1
12	mm6014_01.SQG_BRKT_LWR	LOWER SQUEEGEE BRACKET	1
13	5024_01.SHLDR_BLT	1/4-20 SHOULDER BOLT	2
14	mm6011_02.SQG_BR	SQUEEGEE BAR	1
15	mm6055_01.HS_RCVR		1
16	mm6012_04.SQG		1
17	mm6013_01.SQG_INSRT	5/16 X 1 THREADED ROD	1
18	4174_01.SQG_BR_DFLCTR_WHL	DEFLECTOR WHEEL	2
19	4161_01.SQG_TP_WHL	SQUEEGEE BAR WHEEL	2
20	4187_SCRW	SCREW 10-24 X 1/2 BUTTON HEAD	6
21	4133_01.FLTR_ASSY	FILTER ASSEMBLY	1
22	4186_SCRW	SCREW 1/4 -20 X 1/2 BUTTON HEAD	4
23	4172_SCRW	1/4 - 20 X 3/4	4
24	5034_01.WNG_NT	5/16-18 STEEL WING NUT	1
25	5035_01.FLTR_CLMP	FILTER CLAMP	1
26	5036_01.VCM_MTR	VACUUM MOTOR	1
27	5041_01.NYLN_SPCR	UNTHREADED NYLON SPACER	2
28	5042_01.THRDD_RD	1/4-20 X 4 THREADED ROD	3
29	5018_01.WNG_NT	1/4-20 WING NUT	3
30	5043_01.SPCR	UNTHREADED ALUMINIUM SPACER	3

NOTES:

1. INTERPRET PER ASME Y14.41-2003. THIS DRAWING SHALL BE USED WITH MODEL OF THE SAME NAME FOR COMPLETE PRODUCT DEFINITION.

UNLESS OTHERWISE SPECIFIED DIMENSIONS ARE IN INCHES TOLERANCES ARE: DECIMALS ANGLES X.X ± 0.2 IN X ± 2.0 X.XX ± 0.020 IN X.X ± 0.5 X.XXX ± 0.005 IN X.XX ± 0.1 MATERIAL SEE BOM FINISH N/A DO NOT SCALE DRAWING	APPROVALS	DATE
	DRAWN J. WESTFALL	6/21/2021
	ENGINEER J. WESTFALL	6/21/2021
	PROJECT MANAGER COLLIN LEWIS	6/21/2021
	PRODUCTION COLLIN LEWIS	6/21/2021
	RELEASED COLLIN LEWIS	6/21/2021



ASSEMBLY, BASE

DWG. NO. **mm6030_05.ASY_BASE**

SIZE A SCALE 1:10 SHEET 1 OF 10

8 7 6 5 4 3 2 1

THE INFORMATION CONTAINED IN THIS DRAWING IS THE SOLE PROPERTY OF SPECTRUM INDUSTRIAL PRODUCTS. ANY REPRODUCTION IN PART OR WHOLE WITHOUT THE WRITTEN PERMISSION OF SPECTRUM INDUSTRIAL PRODUCTS IS PROHIBITED. ALL RIGHTS RESERVED © 2020

ITEM NO.	PART NUMBER	DESCRIPTION	QTY.
31	4184_01.SQG_SPRNG	SQUEEGEE BAR SPRING	1
32	5046_01.SCRW	10-24 X 1/2 HEX HEAD SCREW	3
33	5047_01.PCMN_WSHR	PACMAN WASHER	1
34	5094_01.SCRW	1/4-20 X 1-1/2 FLAT HEAD SCREW	4
35	92210A539		6
36	5059_01.SPN_WLD_FTNG	1/4 NPT SPIN WELD FITTING	2
37	4154_01.FLL_GAGE_ELBW	FILL GAGE ELBOW	2
38	mm6035_01.FLL_GGE_TB	FILL GAGE TUBE	1
39	mm6006_04.BRSH_HD		1
40	mm6008_02.IDLR_PLT		1
41	mm6009_01.PLLY_PLT		1
42	mm6005_01.BRUSH_2.75IN		1
43	DEFLEC_WHL_00AA		1
44	6516T21		2
45	8876T38		4
46	5117K16		1
47	6153K25		1
48	6153K74		1
49	mm6029_01.HX_BRSH_CORE		1
50	90301A490		1
51	mm6027_01.VCM_MNT		1
52	92871A010		1
53	90337A463		1
54	91292A116		1
55	98689A113		1
56	90313A400		1
57	92146A011		1
58	91772A245		1
59	92210A542		2
60	4139_01.THRDD_INSRT	THREADED INSERT, 1/4-20 UNC	8
61	92210A540		1
62	mm6016_01.SQG_LVR	SQUEEGEE PEDAL	1
63	SC_SPRNG_HNG_01		1
64	mm6021_02.CSTR_PDL		1
65	4144_01.CSTR	CASTOR	1
66	91771A626		1

ASSEMBLY, BASE

SIZE A	DWG. NO. mm6030_05.ASY_BASE
SCALE 1:12	
SHEET 2 OF 10	

D

C

B

A

D

C

B

A

8 7 6 5 4 3 2 1

THE INFORMATION CONTAINED IN THIS DRAWING IS THE SOLE PROPERTY OF SPECTRUM INDUSTRIAL PRODUCTS. ANY REPRODUCTION IN PART OR WHOLE WITHOUT THE WRITTEN PERMISSION OF SPECTRUM INDUSTRIAL PRODUCTS IS PROHIBITED. ALL RIGHTS RESERVED © 2020

ITEM NO.	PART NUMBER	DESCRIPTION	QTY.
67	91831A127		1
68	1089T22		1
69	5030_01.SLND	SOLENOID	1
70	mm6010_00AA.MTR_PLT		1
71	4134_01.MOTOR	BRUSH MOTOR	1
72	4170_SCRW	10 - 32 X 5/8	2
73	mm6031_02.MTR_PLLY	SMALL PULLEY	1
74	MTR_SPCR_00AB		1
75	mm6007_01AA.BLT_CVR		1
76	3-8_16_INSRT_00AA	THREADED INSERT, 1/4-20 UNC	1
77	mm6024_02.SQG_STP	SQUEEGEE STOP	1
78	90313A205		1
79	91831A029		2
80	92196A801	18-8 Stainless Steel Socket Head Screw	1
81	mm6022_02.CSTR_STP		1
82	mm6023_03.CSTR_LVR		1
83	92390A941		1
84	92196A242	18-8 Stainless Steel Socket Head Screw	2
85	5079_01.FLL_CP	FILL CAP	1
86	468808_STRNR		1
87	J105+J110.LATCH		3
88	5032_01.SCRW	1/4-20 X 1/4 BUTTON HEAD SCREW	2
89	92240A537		2
90	5050_01.SCRW	10-24 X 3/8 HEX HEAD SCREW	6
91	5039_01.SPCR	UNTHREADED ALUMINIUM SPACER	1
92	5049_01.SCRW	10-24 X 3/4 HEX HEAD SCREW	1
93	5004_01.THRDD_INSRT	10-32 THREADED INSERT	7
94	90176A162		1
95	92949A835		1
96	mm6052_01.1-4NPT_INSRT	THREADED INSERT, 1/4-20 UNC	1
97	4146_01.HS_CTCH	HOSE CATCH	1
98	mm6002_02.BTM_TNK		1
99	91273A311		1
100	93320A300		1
101	92949A245		2
102	1-4NPT_VALVE	VALVE	1

ASSEMBLY, BASE

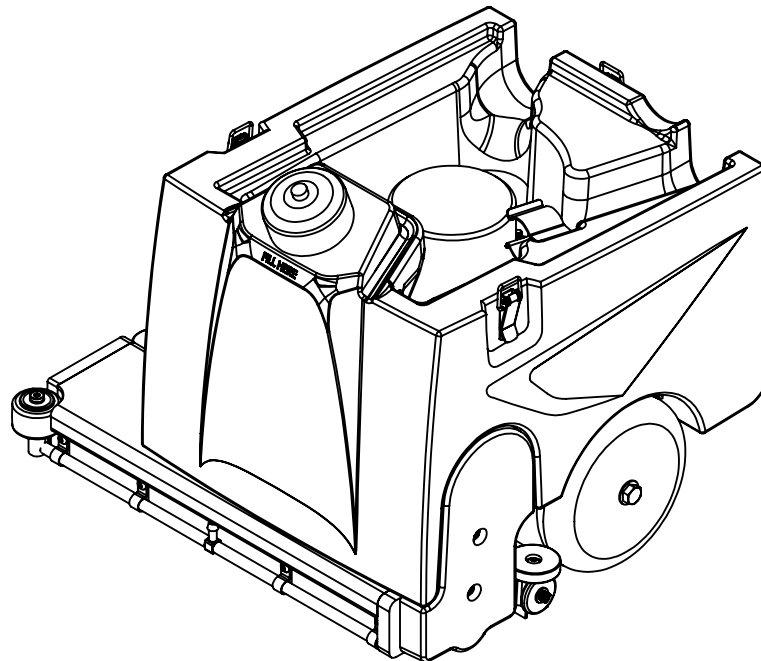
SIZE A DWG. NO. **mm6030_05.ASY_BASE**

SCALE 1:12

SHEET 3 OF 10

THE INFORMATION CONTAINED IN THIS DRAWING IS THE SOLE PROPERTY OF SPECTRUM INDUSTRIAL PRODUCTS. ANY REPRODUCTION IN PART OR WHOLE WITHOUT THE WRITTEN PERMISSION OF SPECTRUM INDUSTRIAL PRODUCTS IS PROHIBITED. ALL RIGHTS RESERVED © 2020

ITEM NO.	PART NUMBER	DESCRIPTION	QTY.
103	50785K123		1
104	53525K12		1
105	92949A242		11
106	92949A544		2
107	5040_01.LCK_WSHR	SPLIT LOCK WASHER	1
108	mm6038_01.SQG_HS		1
109	mm6037_01.VCM_HS		1
110	91140A257		6
111	92949A535		8
112	92949A240		4



ASSEMBLY, BASE

SIZE A DWG. NO. **mm6030_05.ASY_BASE**

SCALE 1:6

SHEET 4 OF 10

8 7 6 5 4 3 2 1

THE INFORMATION CONTAINED IN THIS DRAWING IS THE SOLE PROPERTY OF SPECTRUM INDUSTRIAL PRODUCTS. ANY REPRODUCTION IN PART OR WHOLE WITHOUT THE WRITTEN PERMISSION OF SPECTRUM INDUSTRIAL PRODUCTS IS PROHIBITED. ALL RIGHTS RESERVED © 2020

D

D

C

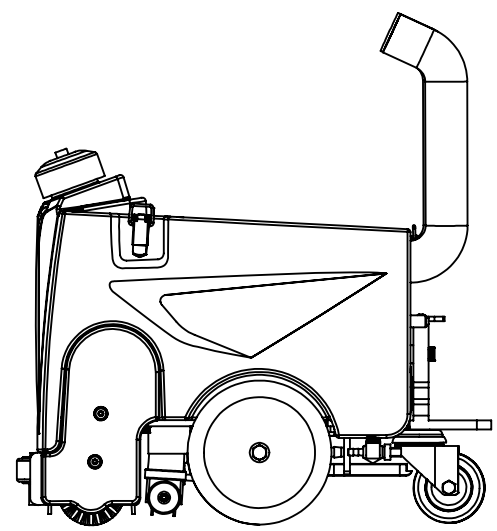
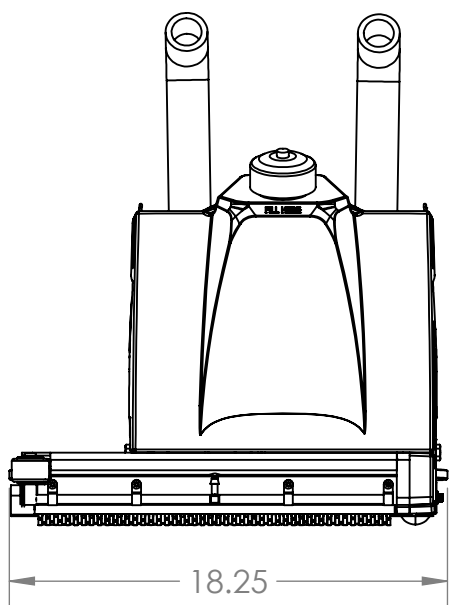
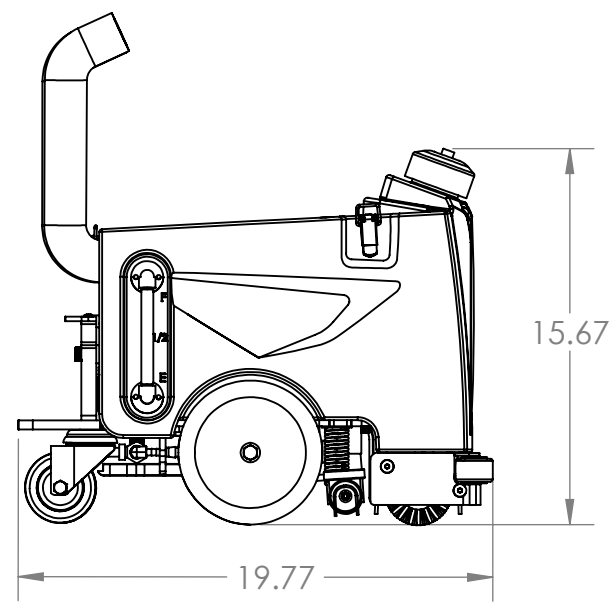
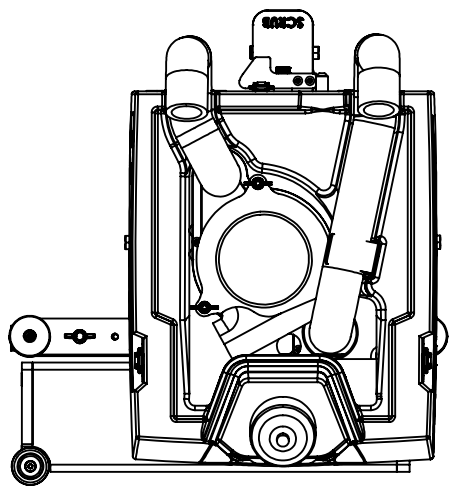
C

B

B

A

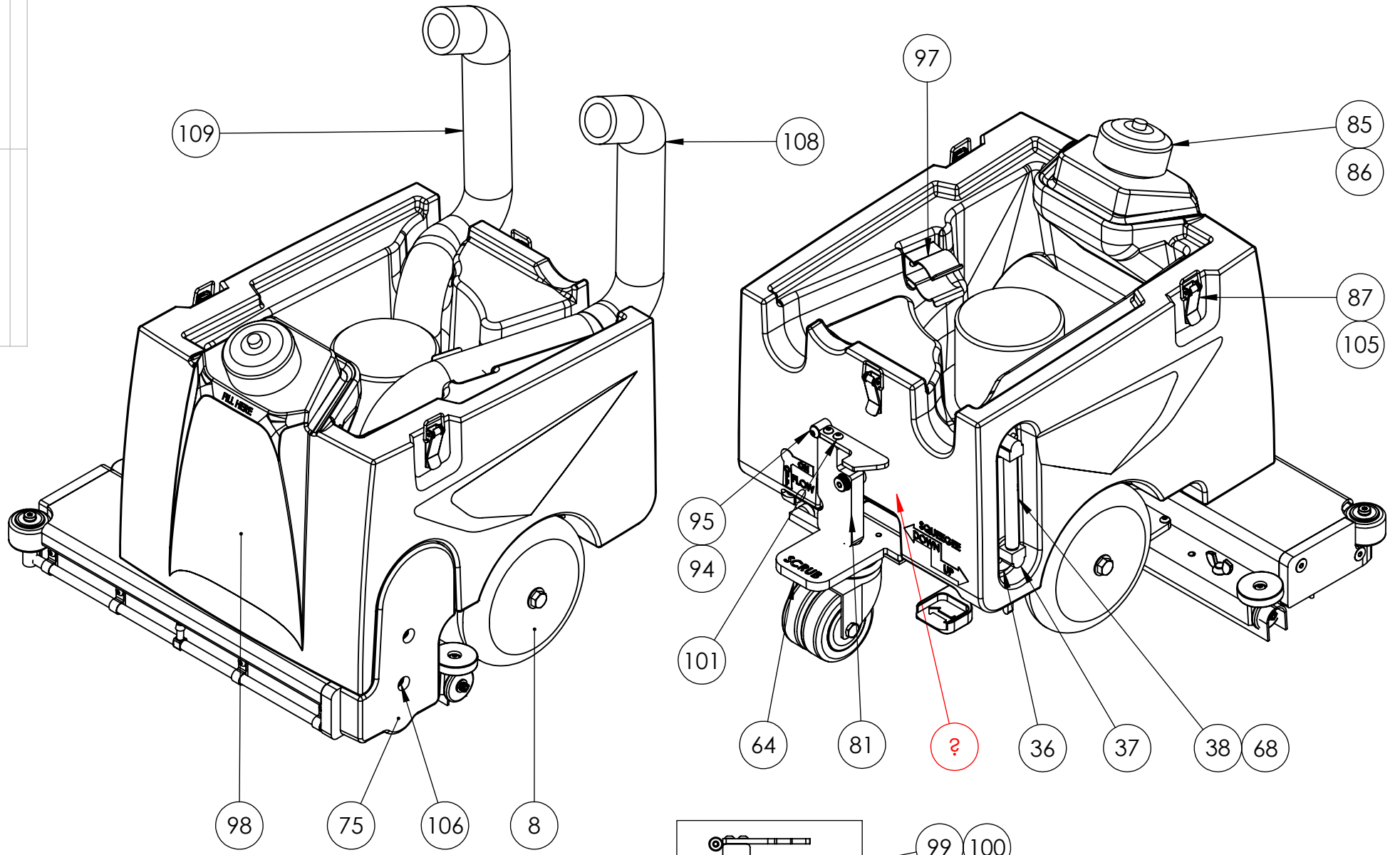
A



ASSEMBLY, BASE			
SIZE A	DWG. NO. mm6030_05.ASY_BASE		
SCALE 1:8		SHEET 5 OF 10	

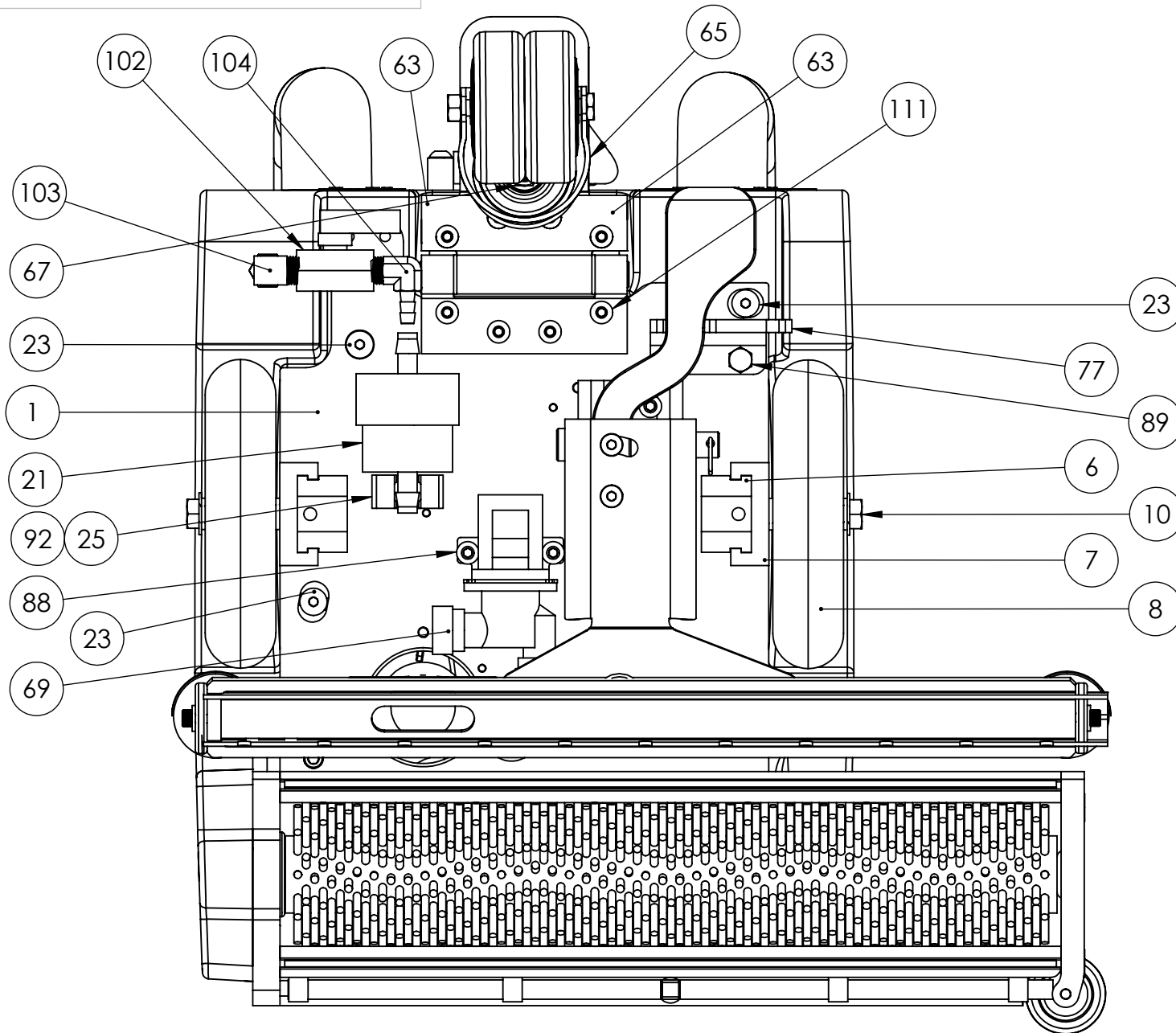
8 7 6 5 4 3 2 1

THE INFORMATION CONTAINED IN THIS DRAWING IS THE SOLE PROPERTY OF SPECTRUM INDUSTRIAL PRODUCTS. ANY REPRODUCTION IN PART OR WHOLE WITHOUT THE WRITTEN PERMISSION OF SPECTRUM INDUSTRIAL PRODUCTS IS PROHIBITED. ALL RIGHTS RESERVED © 2020



ASSEMBLY, BASE			
SIZE A	DWG. NO. mm6030_05.ASY_BASE		
SCALE 1:5		SHEET 6 OF 10	

THE INFORMATION CONTAINED IN THIS DRAWING IS THE SOLE PROPERTY OF SPECTRUM INDUSTRIAL PRODUCTS. ANY REPRODUCTION IN PART OR WHOLE WITHOUT THE WRITTEN PERMISSION OF SPECTRUM INDUSTRIAL PRODUCTS IS PROHIBITED. ALL RIGHTS RESERVED © 2020



ASSEMBLY, BASE

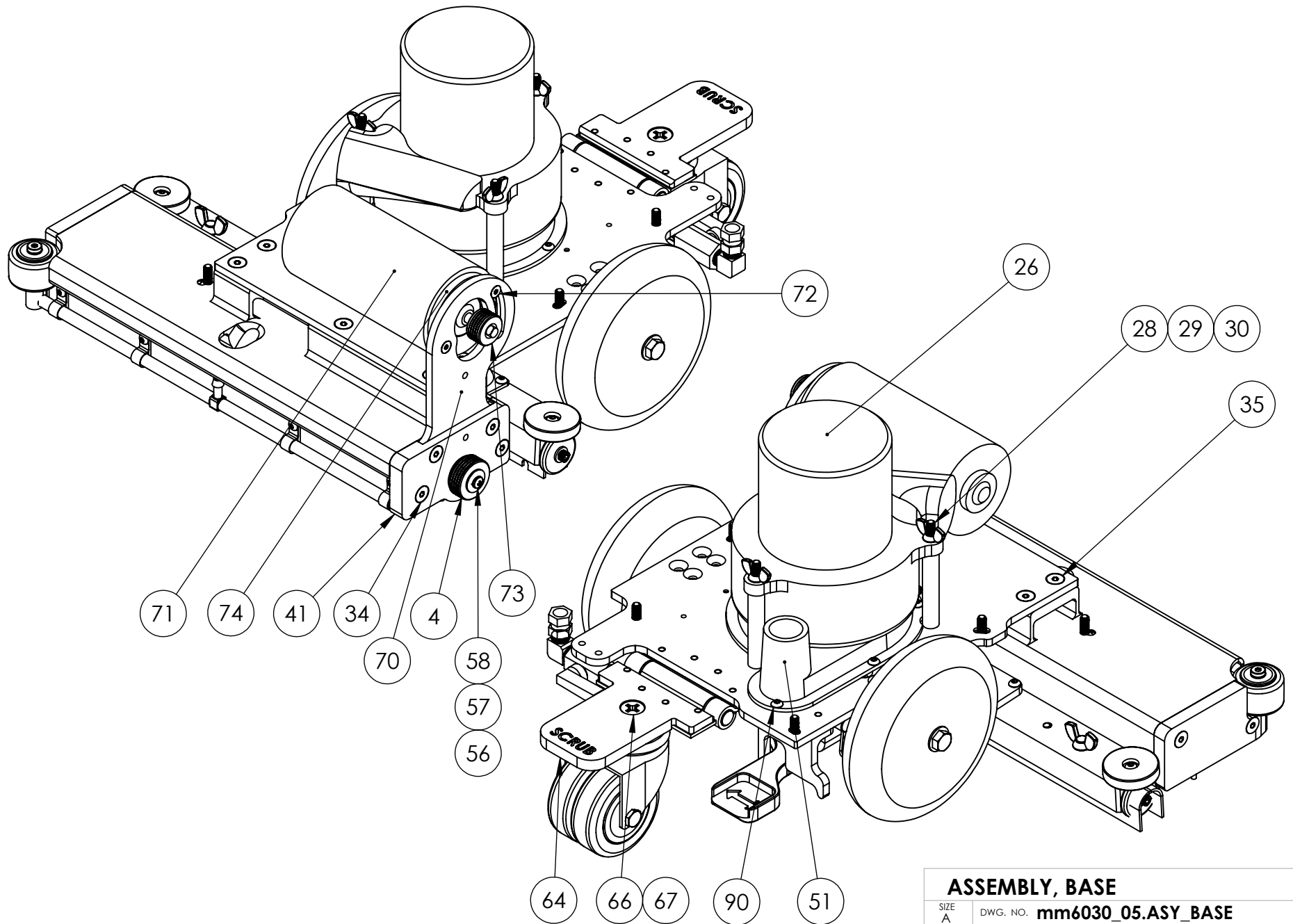
SIZE A DWG. NO. mm6030_05.ASY_BASE

SCALE 1:3

SHEET 7 OF 10

8 7 6 5 4 3 2 1

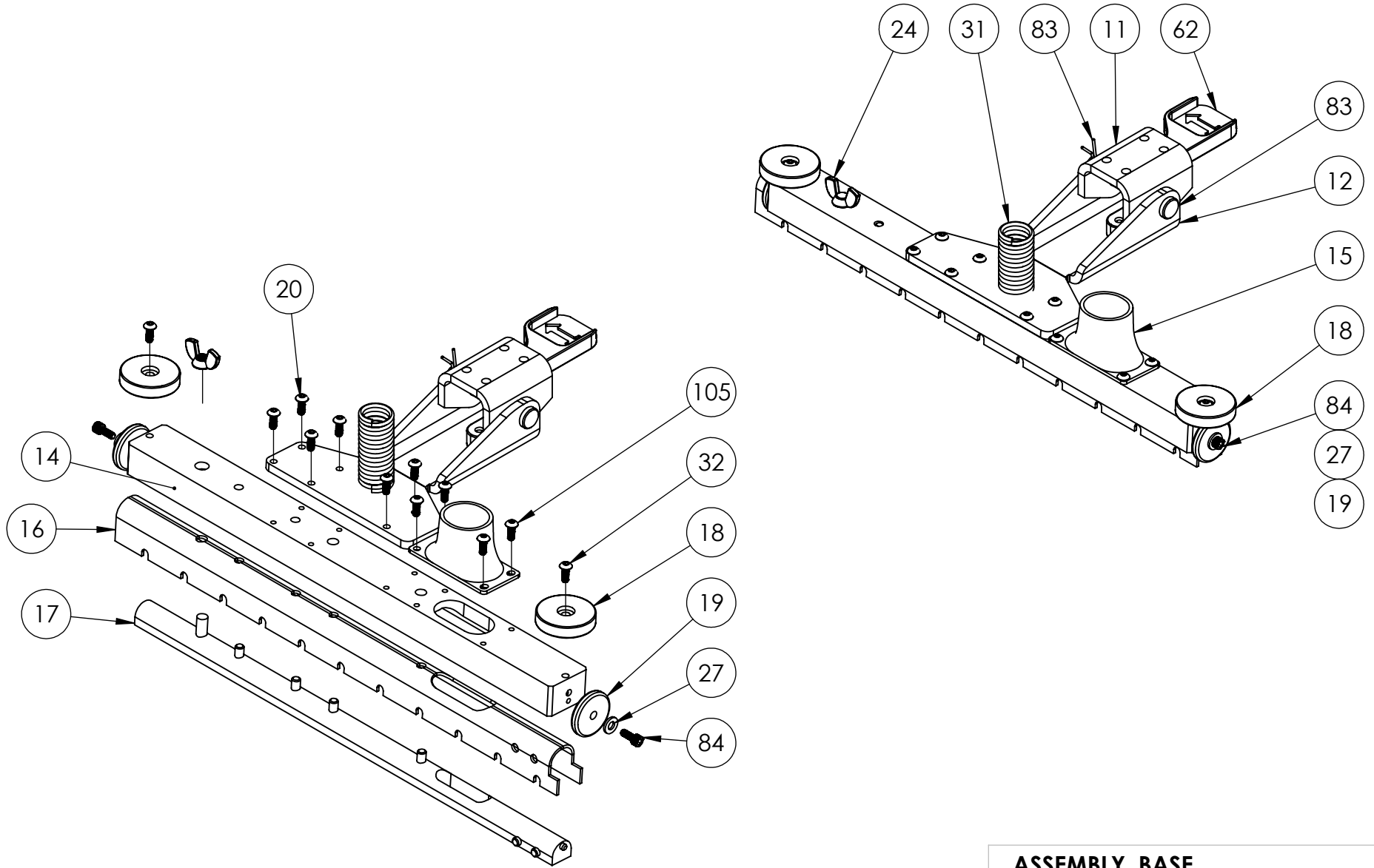
THE INFORMATION CONTAINED IN THIS DRAWING IS THE SOLE PROPERTY OF SPECTRUM INDUSTRIAL PRODUCTS. ANY REPRODUCTION IN PART OR WHOLE WITHOUT THE WRITTEN PERMISSION OF SPECTRUM INDUSTRIAL PRODUCTS IS PROHIBITED. ALL RIGHTS RESERVED © 2020



ASSEMBLY, BASE	
SIZE A	DWG. NO. mm6030_05.ASY_BASE
SCALE 1:4	
SHEET 8 OF 10	

THE INFORMATION CONTAINED IN THIS DRAWING IS THE SOLE PROPERTY OF SPECTRUM INDUSTRIAL PRODUCTS. ANY REPRODUCTION IN PART OR WHOLE WITHOUT THE WRITTEN PERMISSION OF SPECTRUM INDUSTRIAL PRODUCTS IS PROHIBITED. ALL RIGHTS RESERVED © 2020

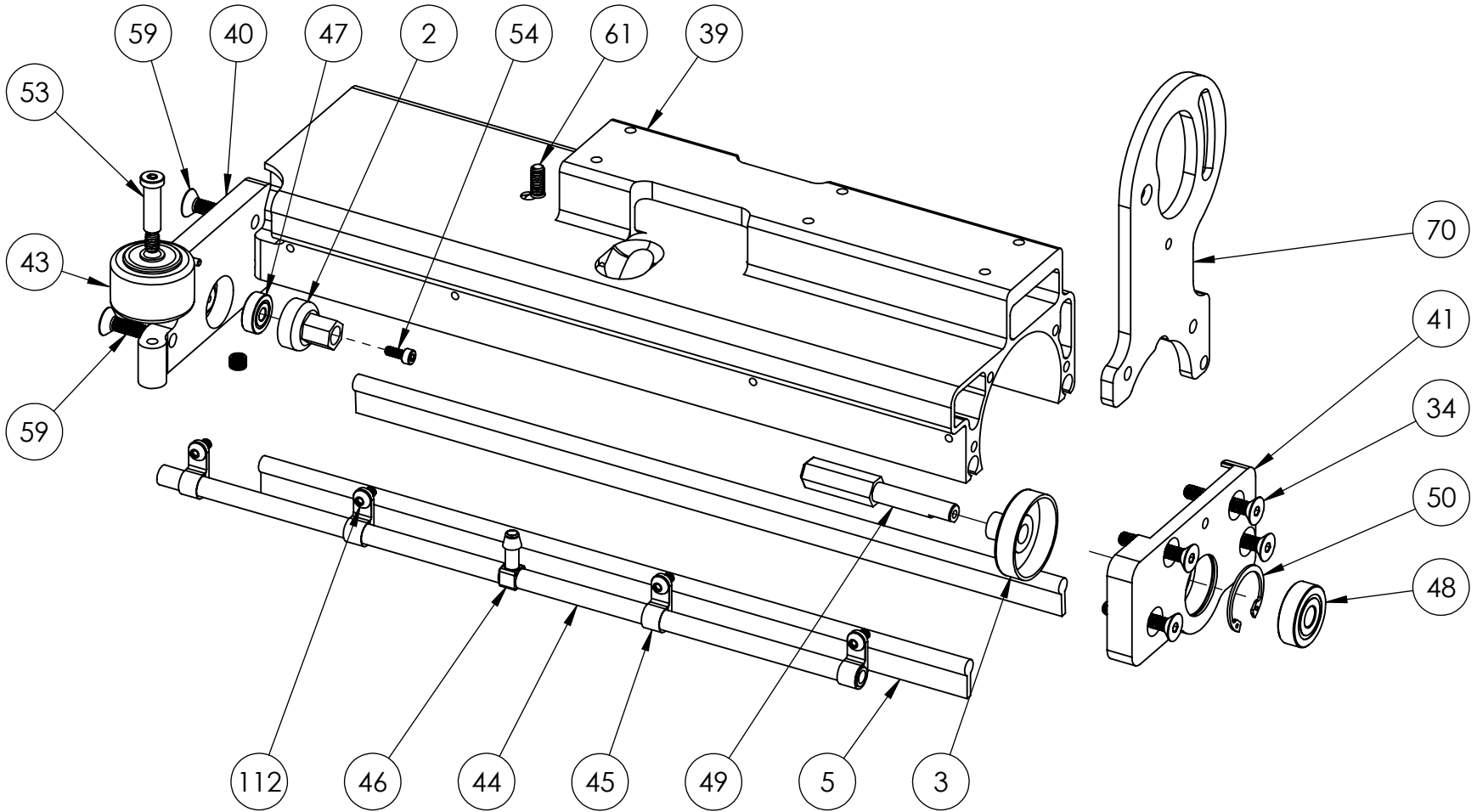
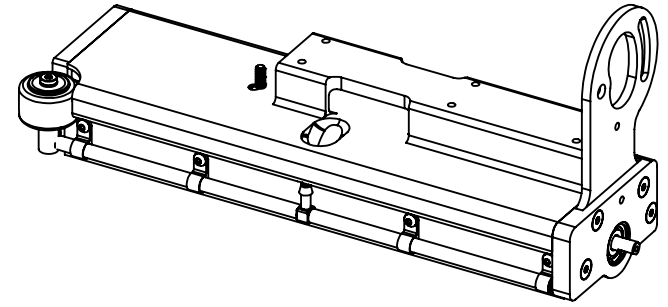
SQUEEGEE ASSEMBLY



ASSEMBLY, BASE		
SIZE A	DWG. NO. mm6030_05.ASY_BASE	
SCALE 1:4		SHEET 9 OF 10

THE INFORMATION CONTAINED IN THIS DRAWING IS THE SOLE PROPERTY OF SPECTRUM INDUSTRIAL PRODUCTS. ANY REPRODUCTION IN PART OR WHOLE WITHOUT THE WRITTEN PERMISSION OF SPECTRUM INDUSTRIAL PRODUCTS IS PROHIBITED. ALL RIGHTS RESERVED © 2020

BRUSH HOOD ASSEMBLY



ASSEMBLY, BASE		
SIZE A	DWG. NO. mm6030_05.ASY_BASE	
SCALE 1:4		SHEET 10 OF 10