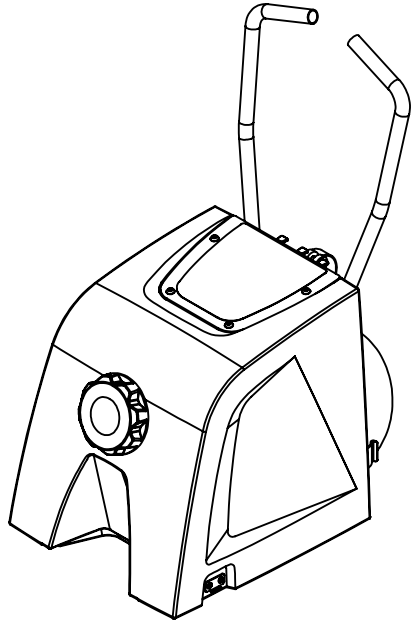


8 7 6 5 4 3 2 1

THE INFORMATION CONTAINED IN THIS DRAWING IS THE SOLE PROPERTY OF SPECTRUM INDUSTRIAL PRODUCTS. ANY REPRODUCTION IN PART OR WHOLE WITHOUT THE WRITTEN PERMISSION OF SPECTRUM INDUSTRIAL PRODUCTS IS PROHIBITED. ALL RIGHTS RESERVED © 2020



ITEM NO.	PART NUMBER	DESCRIPTION	QTY.
1	mm6040_01.BATTERY		1
2	5051_01.BTTRY_CHRGR	BATTERY CHARGER	1
3	mm6019_02.ACCSS_PNL		1
4	4147_01.SWTCB	SWITCH	3
5	4152_01.CRD_WRP	CORD WRAP	1
6	4146_01.HS_CTCH	HOSE CATCH	2
7	mm6041_01.VCM_TB	1-1/2 ABS PIPE, 9 IN	1
8	5074_01.SPN_WLD_FTNG	1-1/2 NPT SPIN WELD FITTING	2
9	5084_01.ADPTR	1-1/2 NPT ADPATER	2
10	mm6020_02.BTTRY_DR		1
11	mm6048_01.HNG		1
12	mm6039_01.CHRGR_BRKT	CHARGER BRACKET	1
13	5004_01.THRDD_INSRT	10-32 THREADED INSERT	8
14	4139_01.THRDD_INSRT	THREADED INSERT, 1/4-20 UNC	10
15	4171_SCRW	1/4 - 20 X 5/8 BUTTON HEAD	8
16	mm6053_01.VCM_FLTR		1
17	FLAMBEAU_080075	FLAMBEAU FLUIDS CAP	1
18	91772A374		2
19	9307K27		1
20	mm6003_02.TP_TNK		1
21	mm6018_01.DASH		1
22	mm6042_01.SQG_TB	1-1/2 ABS PIPE, 9 IN	1

NOTES:

1. INTERPRET PER ASME Y14.41-2003. THIS DRAWING SHALL BE USED WITH MODEL OF THE SAME NAME FOR COMPLETE PRODUCT DEFINITION.

UNLESS OTHERWISE SPECIFIED
DIMENSIONS ARE IN INCHES
TOLERANCES ARE:
DECIMALS ANGLES
X.X ± 0.2 IN X ± 2.0
X.XX ± 0.020 IN X.X ± 0.5
X.XXX ± 0.005 IN X.XX ± 0.1

MATERIAL
SEE BOM
FINISH
N/A

DO NOT SCALE DRAWING

APPROVALS	DATE
DRAWN J. WESTFALL	6/21/2021
ENGINEER J. WESTFALL	6/21/2021
PROJECT MANAGER COLLIN LEWIS	6/21/2021
PRODUCTION COLLIN LEWIS	6/21/2021
RELEASED COLLIN LEWIS	6/21/2021



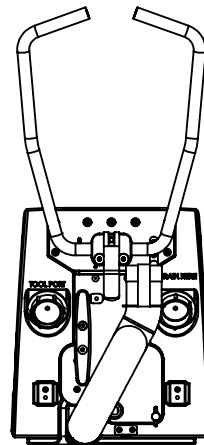
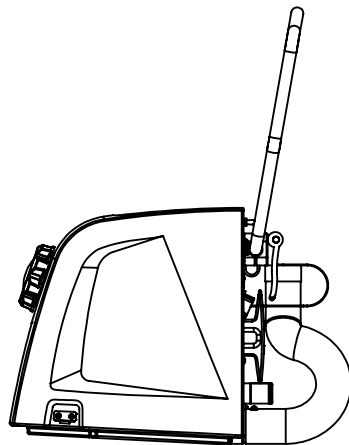
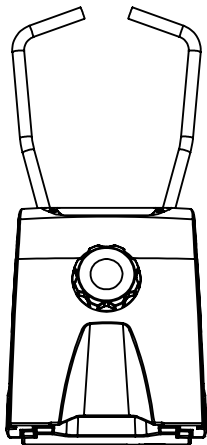
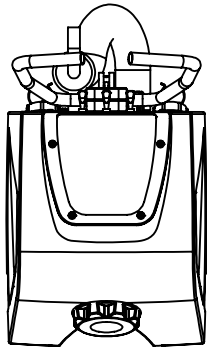
ASSEMBLY, UPPER

DWG. NO.
mm6025_03.ASY_UPPR

SIZE A SCALE 1:10 SHEET 1 OF 6

THE INFORMATION CONTAINED IN THIS DRAWING IS THE SOLE PROPERTY OF SPECTRUM INDUSTRIAL PRODUCTS. ANY REPRODUCTION IN PART OR WHOLE WITHOUT THE WRITTEN PERMISSION OF SPECTRUM INDUSTRIAL PRODUCTS IS PROHIBITED. ALL RIGHTS RESERVED © 2020

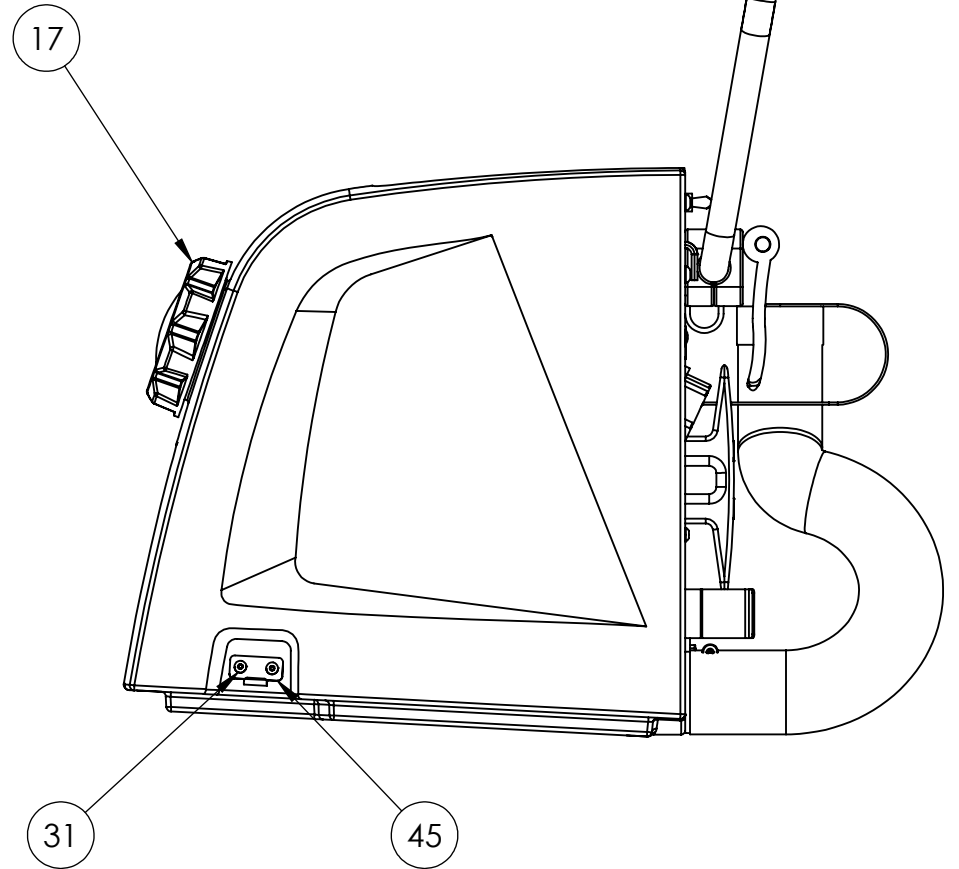
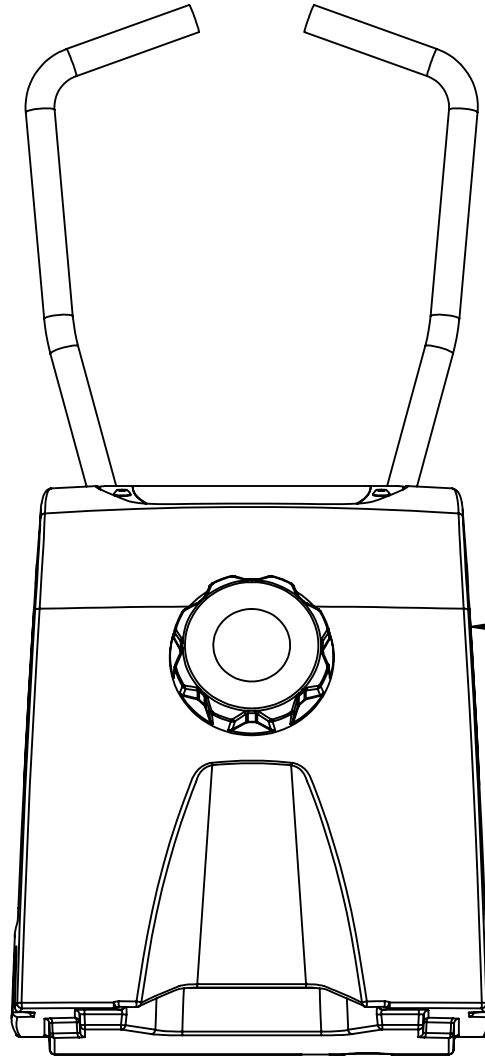
ITEM NO.	PART NUMBER	DESCRIPTION	QTY.
23	5-32TO#2PHLPS_TOOL		1
24	5046_01.SCRW	10-24 HEX HEAD SCREW	2
25	91831A411		2
26	5063_01.SCRW	1/4-20 FLAT HEAD SCREW	2
27	5064_01.NT	1/4-20 HEX NUT	2
28	mm6043_01.BTRY_BRCKT	BATTERY BRACKET	1
29	5028_01.THMB_SCRW	PLASTIC THUMB SCREW, 1/4-20	1
30	mm6046_01.J_HOOK		1
31	92949A194		8
32	97525A485		2
33	5068_01.DRN_HS_SPN_WL D	DRAIN HOSE SPIN WELD	1
34	91185A917		1
35	5067_01.HS_CLMP	WORM DRIVE HOSE CLAMP	1
36	5054_02.HNDL_CLMP	HANDLE CLAMP	2
37	mm6036_01.HNDL_BR	HANDLE BAR	1
38	5056_01.HNDL_BR_LTCH	HANDLE QUICK RELEASE	1
39	92210A589		2
40	mm6044_01.DRN_HS		1
41	92949A244		2
42	91831A011		2
43	mm6047.01_DASH_STCKR		1
44	mm6049_01.DRN_CP		1
45	J110_P01_01.LATCH		3



ASSEMBLY, UPPER	
SIZE A	DWG. NO. mm6025_03.ASY_UPPR
SCALE 1:12	
SHEET 2 OF 6	

8 7 6 5 4 3 2 1

THE INFORMATION CONTAINED IN THIS DRAWING IS THE SOLE PROPERTY OF SPECTRUM INDUSTRIAL PRODUCTS. ANY REPRODUCTION IN PART OR WHOLE WITHOUT THE WRITTEN PERMISSION OF SPECTRUM INDUSTRIAL PRODUCTS IS PROHIBITED. ALL RIGHTS RESERVED © 2020



ASSEMBLY, UPPER

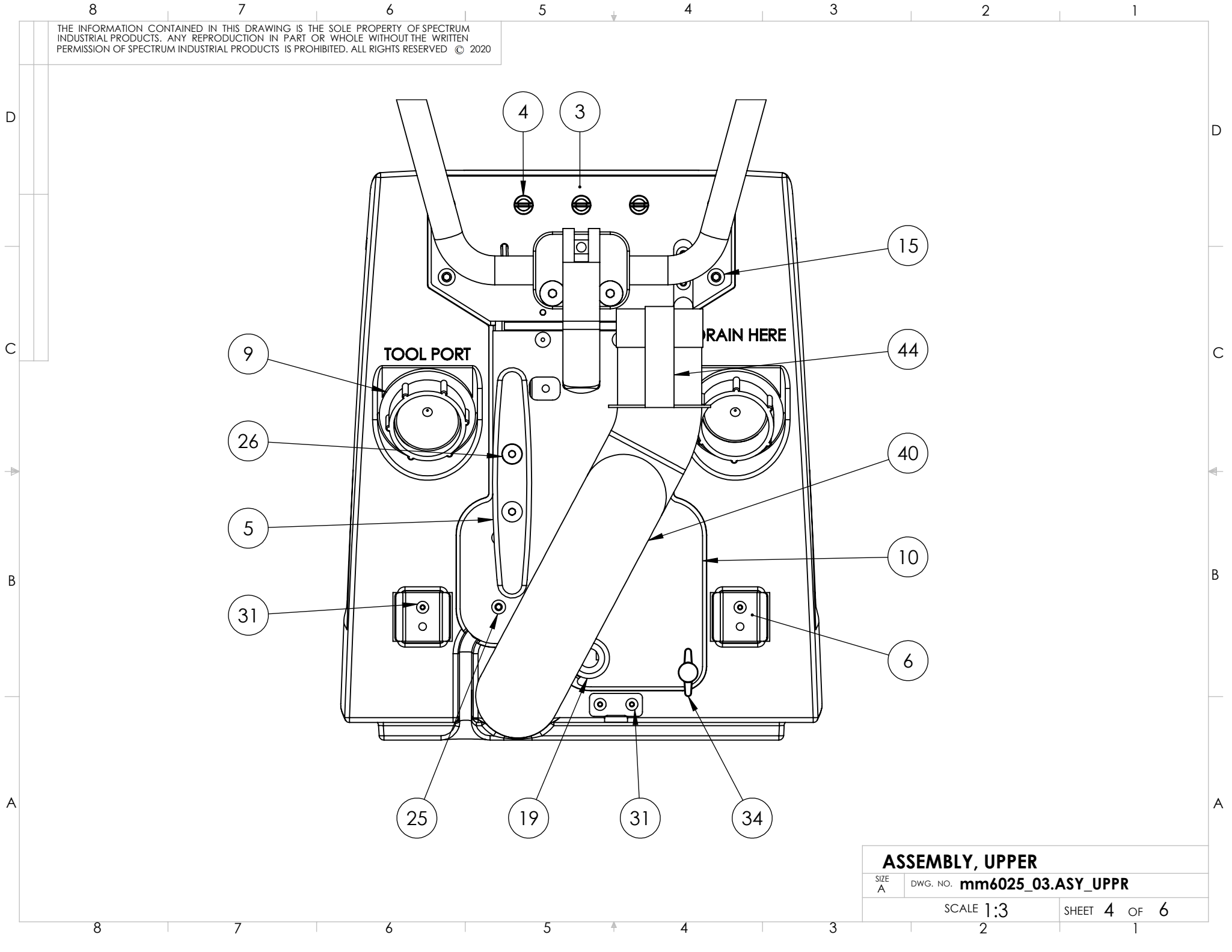
SIZE A DWG. NO. mm6025_03.ASY_UPPR

SCALE 1:5

SHEET 3 OF 6

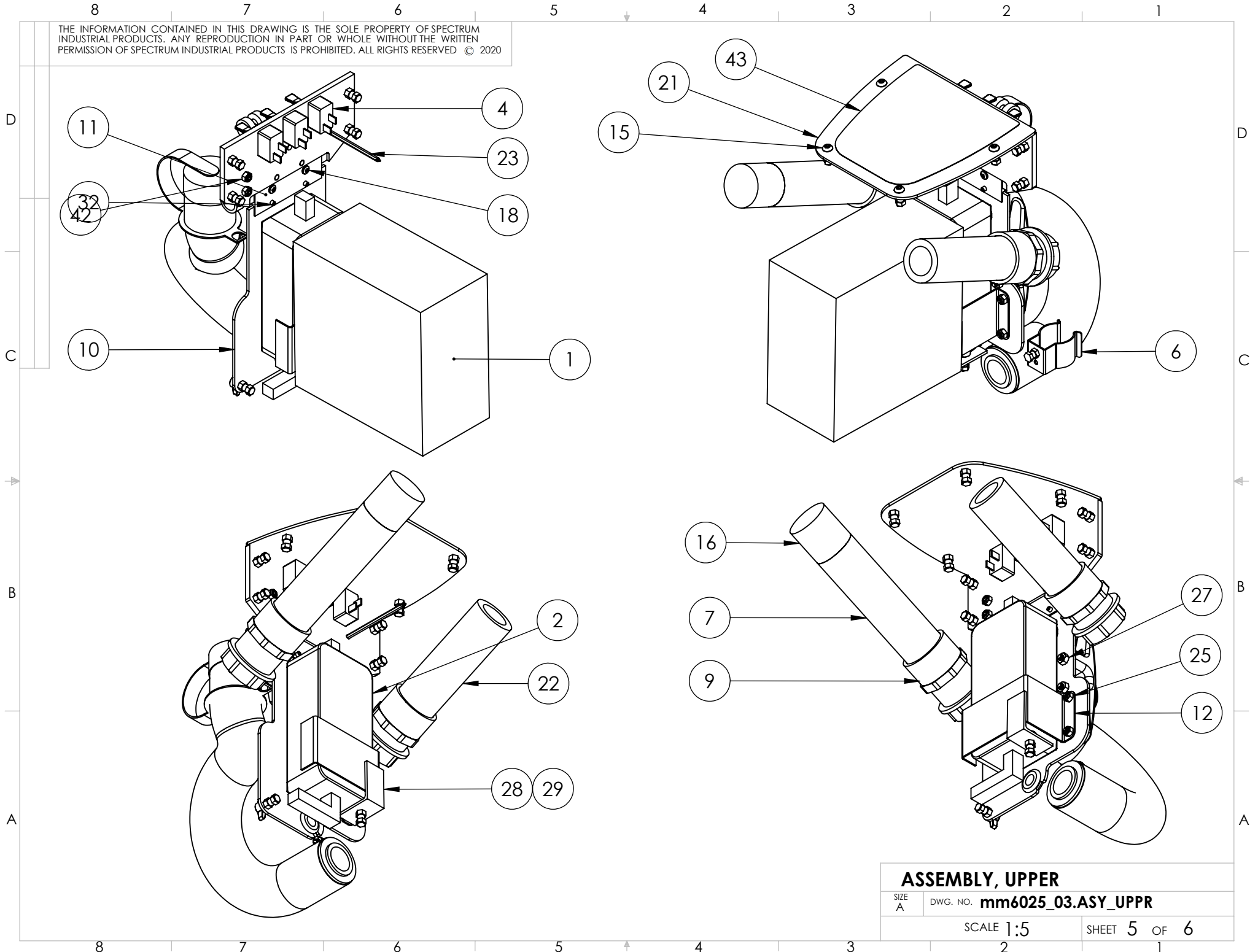
8 7 6 5 4 3 2 1

THE INFORMATION CONTAINED IN THIS DRAWING IS THE SOLE PROPERTY OF SPECTRUM INDUSTRIAL PRODUCTS. ANY REPRODUCTION IN PART OR WHOLE WITHOUT THE WRITTEN PERMISSION OF SPECTRUM INDUSTRIAL PRODUCTS IS PROHIBITED. ALL RIGHTS RESERVED © 2020



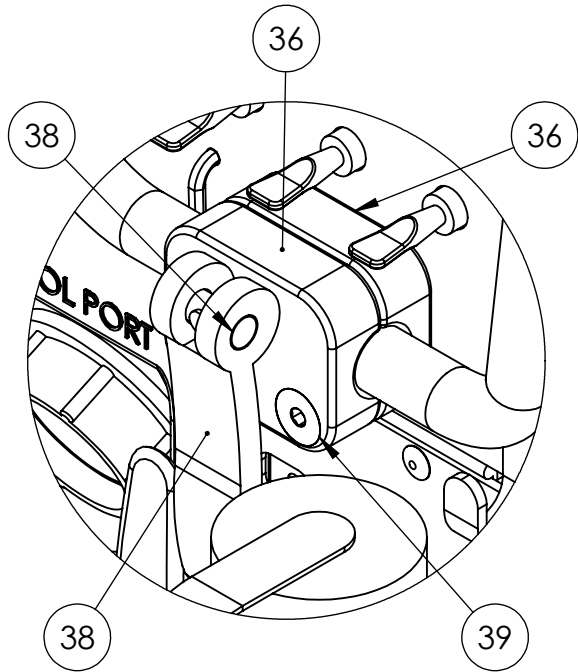
ASSEMBLY, UPPER			
SIZE A	DWG. NO. mm6025_03.ASY_UPPR		
SCALE 1:3		SHEET 4 OF 6	

THE INFORMATION CONTAINED IN THIS DRAWING IS THE SOLE PROPERTY OF SPECTRUM INDUSTRIAL PRODUCTS. ANY REPRODUCTION IN PART OR WHOLE WITHOUT THE WRITTEN PERMISSION OF SPECTRUM INDUSTRIAL PRODUCTS IS PROHIBITED. ALL RIGHTS RESERVED © 2020

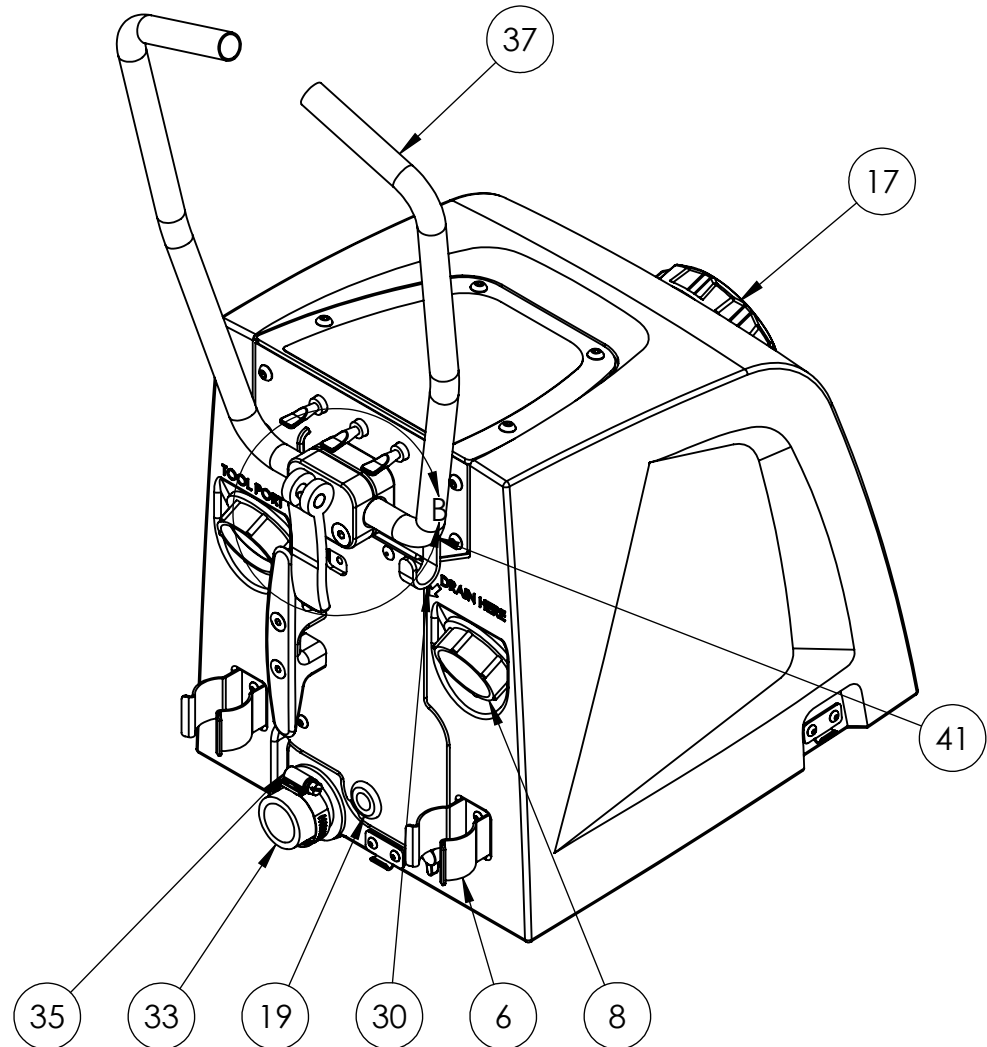


ASSEMBLY, UPPER	
SIZE A	DWG. NO. mm6025_03.ASY_UPPR
SCALE 1:5	
SHEET 5 OF 6	

THE INFORMATION CONTAINED IN THIS DRAWING IS THE SOLE PROPERTY OF SPECTRUM INDUSTRIAL PRODUCTS. ANY REPRODUCTION IN PART OR WHOLE WITHOUT THE WRITTEN PERMISSION OF SPECTRUM INDUSTRIAL PRODUCTS IS PROHIBITED. ALL RIGHTS RESERVED © 2020



DETAIL B
SCALE 1 : 2



ASSEMBLY, UPPER

SIZE A DWG. NO. mm6025_03.ASY_UPPR

SCALE 1:5

SHEET 6 OF 6