
mopit

mini

Operator's / Service Manual





Table of Contents

BASIC OPERATION.....	4-7
Mopit safety information.....	4
Filling the fresh water tank.....	4
Using Mopit cleaning solution.....	4
Mopit switches.....	5
Handle bar adjustment.....	5
Water level gauge.....	5
Draining the dirty water.....	6
Charging the Mopit.....	6
Water valve.....	7
Transporting the Mopit.....	7
Squeegee lift pedal.....	7
 MAINTENANCE / MOPIT SERVICE	
Draining the fresh water tank.....	8
Cleaning the water filter.....	8
Squeegee replacement.....	9
Brush pressure adjustment.....	10
Belt replacement and tensioning.....	11
Brush replacement.....	12
Cleaning the recovery tank.....	13
Battery pack replacement.....	14
Brush motor replacement.....	15
Battery charger replacement.....	16
Vacuum motor replacement.....	16
Water solenoid replacement.....	17
Water drip tube replacement.....	17
Drain hose replacement.....	18
Idle bearing replacement.....	18
Drive bearing replacement.....	18
 TROUBLESHOOTING	
Not getting any water.....	19
Batteries not charging.....	19
Mopit is leaving black marks.....	19
Mopit smells when I use it.....	19
Mopit shocks me when in use.....	19
Mopit leaks when not in use.....	20
Mopit not cleaning well.....	20
Mopit is not picking up water.....	21
Mopit parts diagram.....	22-34
 SPECIFICATIONS	
Mopit specifications.....	35

BASIC OPERATION

WARNING!!!!

- Do Not Use or Pick Up Flammable Materials with the Mopit.
- Do Not Use Mopit Near Flammable Liquids or Vapors.
- Disconnect Battery Cables and Charger Cord Before Servicing.
- Do Not Use or Store Outdoors.
- Do Not Use Bleach in the Mopit

Before using the Mopit mini you need to fill it with water and cleaning solution.

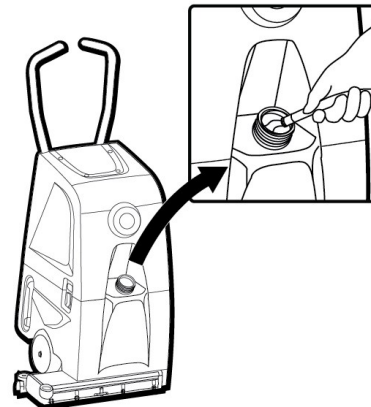
Filling The Fresh Water Tank

This is where you fill the Mopit with water. It is best to add the cleaning solution after you have filled the tank with water. It is **ok** to let water stay in the fresh water tank for an extended period of time.

Using Mopit Cleaning Solution

Mopit cleaning solution is very concentrated. It only takes one ounce of solution per Mopit tank for normal cleaning. For greasy floors you can use 2-3 ounces of solution per Mopit fill.

The fresh water tank cap is a one ounce measuring cup, you can also order a one ounce per pump dispenser by calling us at 1-800-290-2833



BASIC OPERATION

The Mopit Has 3 Switches

The Vacuum Switch

The Solution Switch

The Brush Switch

Simply turn on all three switches and walk. The water switch will work only when both the brush and water switches are on.

When operating the Mopit you may walk at a normal pace. If there is a really dirty area, cleaning performance is increased by pushing the Mopit slower.

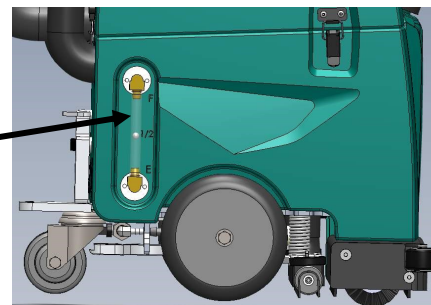


Handle Bar Adjustment

To adjust the handle bar height simply lift up the handle bar quick release lever, adjust the handle, and then push the quick release lever back down. You can also use the Mopit mini with the quick release handle disengaged for quick height adjustment when going under tables and obstacles.

Water Level Gauge

This is the water level gauge. The fresh water tank holds 2.9 gallons of water. The recovery tank holds 4.75 gallons of water.



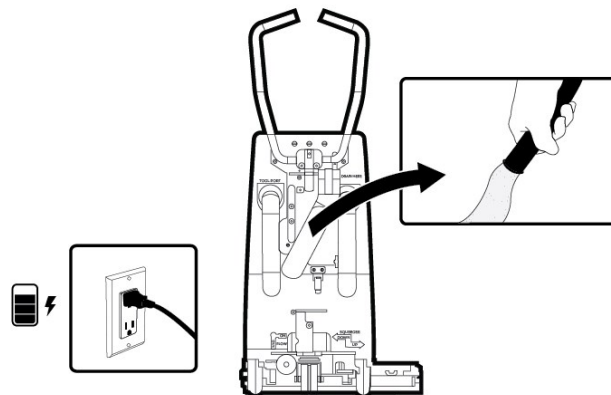
BASIC OPERATION

Draining The Dirty Water

It is important to drain the dirty water tank after each use. If dirty water sits in your dirty water tank for an extended period of time, your machine will start to stink. Simply remove the drain hose cap and let the drain hose down onto a floor drain or into a bucket. After draining, be sure to put the cap on tightly. If the cap is not screwed on tight the machine will lose suction power.

Charging The Mopit

The Mopit is battery operated. Keep the Mopit plugged in whenever it is not being used. You do **not** need to wait until the batteries are fully charged to use the Mopit. You do **not** need to run the batteries down before you can charge the Mopit. To charge the Mopit, plug the Battery charger into the wall. The on-board charger has one indicator light. The light will be red or amber when it is charging and green when fully charged. The Mopit won't charge if the switches are turned on.



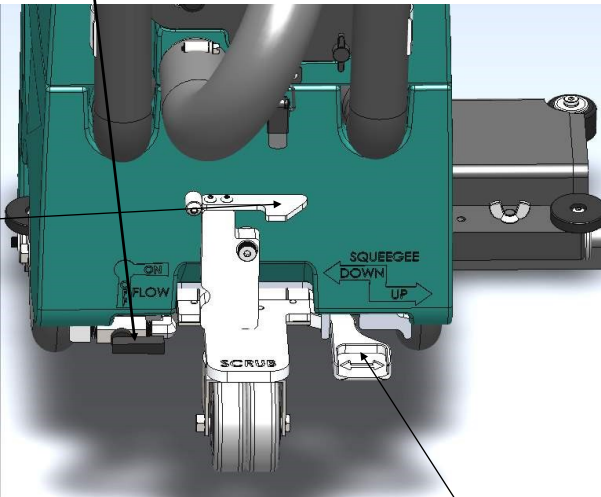
BASIC OPERATION

Water Valve

The water control valve controls how much water goes onto the floor. The water valve is full **on** when the black valve handle is horizontal, and full **off** when the handle is vertical. To lower water output, position the valve between full on and full off.

Transporting The Mopit

To transport the Mopit press down on the transport pedal and the Mopit will tilt back for transport



Squeegee Lift Pedal

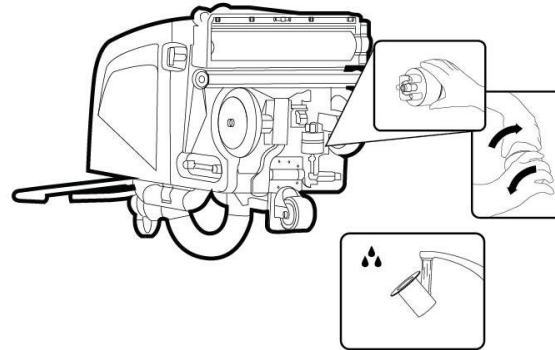
The squeegee lift pedal is used for deep cleaning. It allows you to make multiple scrubbing passes without picking up the water on the floor. This is called double scrubbing. To lift the squeegee, push the pedal down and slide it to the right. To drop the squeegee, push the pedal down and slide it to the left.

MAINTENANCE / SERVICE

Cleaning The Water Filter

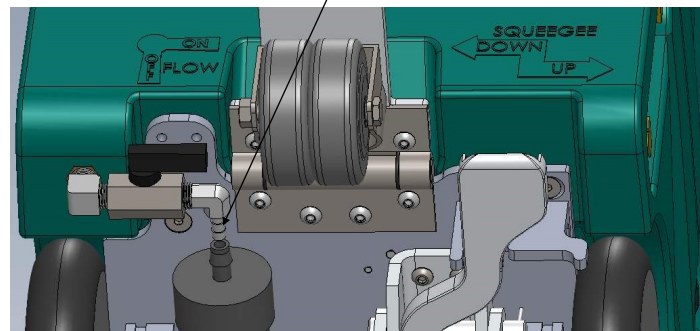
When you are not getting enough water onto the floor, clean the water filter. Before you clean the fresh water filter make sure that the water valve is turned off

(see page 7) Tip the Mopit on its back, pull filter out of its clip, pull off the water lines, twist the filter housing apart and remove and rinse out the filter.



Draining The Fresh Water Tank

Occasionally you may need to drain the fresh water tank. The tank will need to be drained before shipping. There is no harm in leaving water in the fresh water tank for an extended period of time. You will want to have the machine outside or positioned over a floor drain when you drain the tank. Remove the water line from the water valve and open the valve.

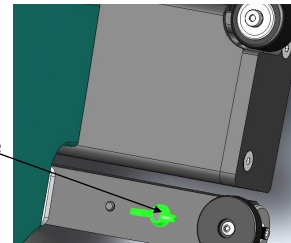


MAINTENANCE / SERVICE

Changing The Squeegee Blade

On average the squeegee blade will need to be changed every 2-6 weeks. If the machine is leaving streaks, and not picking up all of the water, or the Mopit is not cleaning very well, check your squeegee blade for wear.

1. Tip the Mopit on its back
2. Remove squeegee wing nut
3. Pull out the squeegee insert and remove the squeegee blade
4. Place the new squeegee blade over the squeegee insert
5. Hold the squeegee blade over the two side dowel pins and slide the squeegee insert pin into the squeegee bar receiver hole
6. Push the remainder of the squeegee insert into the squeegee bar and replace the wing nut



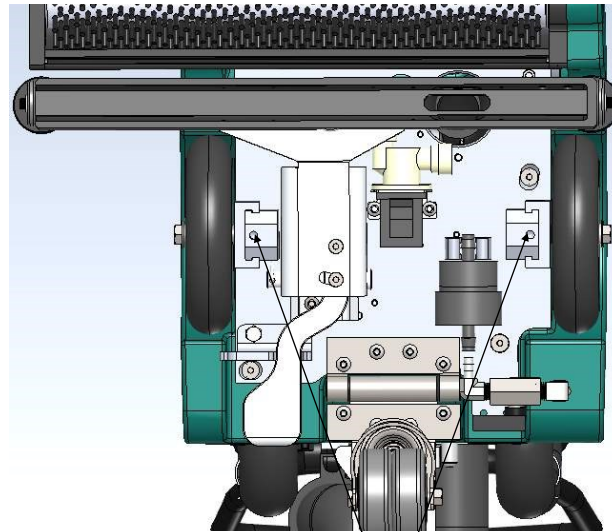
7. Replace the white squeegee wheels

MAINTENANCE / SERVICE

Adjusting The Brush Pressure

WARNING: Adjusting the brush too low can damage the brush motor and lessen the cleaning performance.

As the scrub brush wears, your brush pressure on the floor will decrease. To compensate for brush wear, adjust the wheels to lower the brush head.



To adjust the brush pressure, tip the machine on its back.

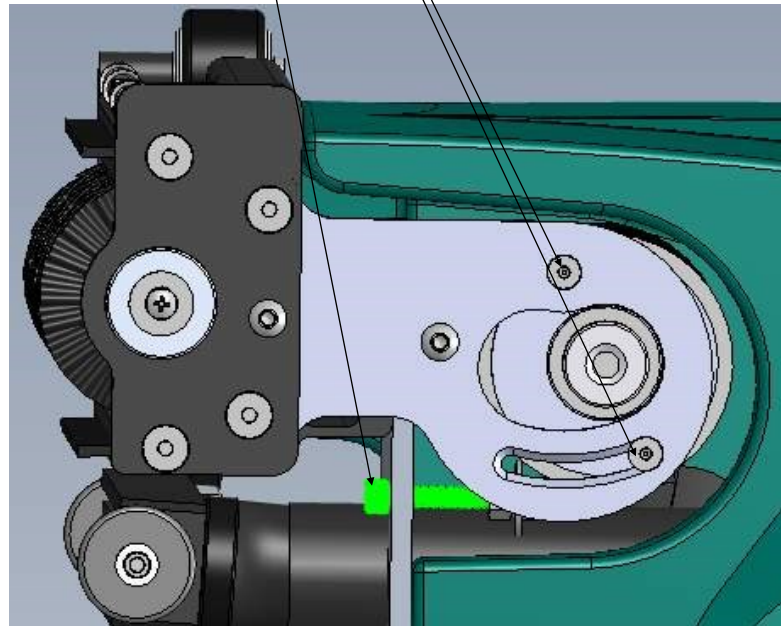
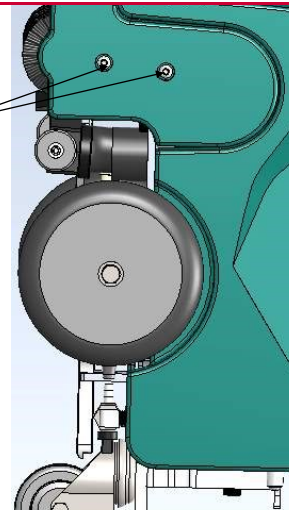
Insert a 5/32 Allen wrench into the wheel block windows. Turn the Allen wrench counterclockwise one complete turn. Adjust both wheels by the same amount.

IMPORTANT: You must adjust each wheel by the same amount. Failure to do so will cause un-even brush wear. If you don't know if the wheels have both been evenly adjusted, turn the screw as far as you can clockwise, then begin again to adjust each wheel counterclockwise by the same amount. It is wise, with each full turn of the screw, to stand the machine back up and check the brush deflection from the side of the machine. **We recommend one inch of brush width touch the floor but only a 1/4 inch of brush depth on the floor.**

MAINTENANCE / SERVICE

Belt Replacement And Tensioning

1. Tip the Mopit on its back
2. Remove belt cover by removing two Allen screws with on-board 5/32 tool
3. Loosen these two 1/8" Allen screws. With a 3/16" Allen wrench twist the belt tensioning screw counter clockwise.
4. Remove old belt
5. Installation is the above steps in reverse
6. Tension belt to 3/8" Deflection

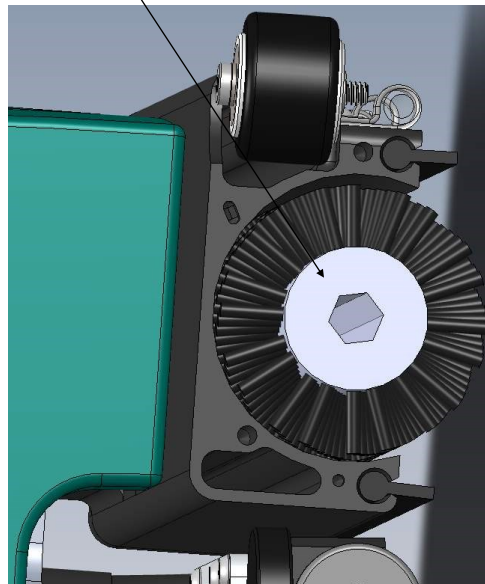
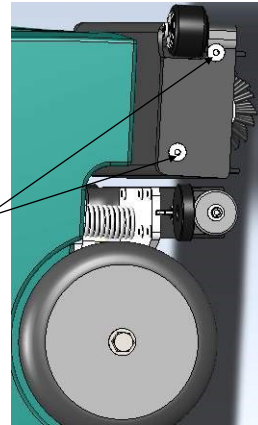


MAINTENANCE / SERVICE

Brush Replacement

The Mopit mini scrub brush is very durable and should last at least one year. As the brush wears it can be lowered by following the instructions on page 10. For replacement follow the steps below.

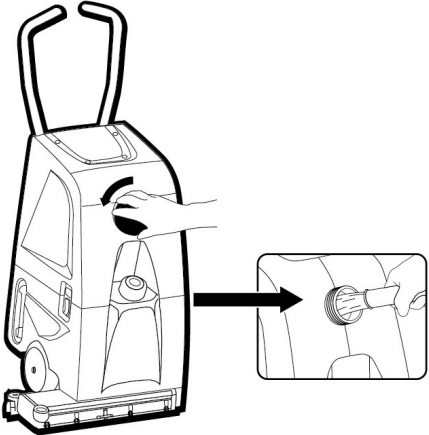
1. Remove the two Allen screws on the idle bearing plate by twisting them counter clockwise.
2. Pull off the bearing plate.
3. Pull the old brush out of the hood
4. Installation is the above steps in reverse



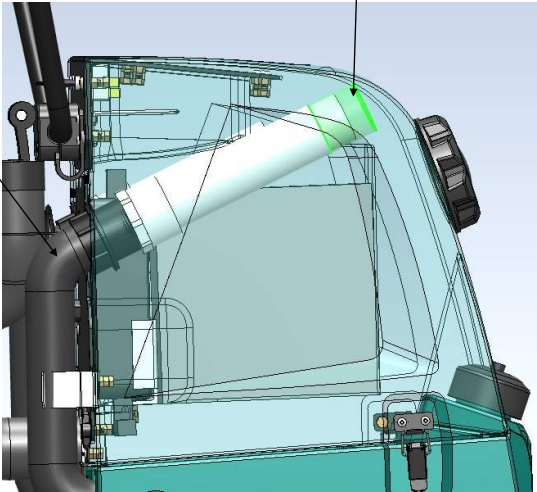
MAINTENANCE / SERVICE

Cleaning The Recovery Tank And Vacuum Filter

If the recovery tank is not cleaned out regularly the Mopit will begin to stink. To clean, remove the clean out access cap by twisting it counterclockwise. Open the drain hose and place it over a floor drain. Use a hose with a sprayer to spray out the recovery tank. It may also help to back flush the drain hose. Pull the Vac hose



elbow out of the tank and then spray off the vacuum filter. After spraying out the tank, use a trigger sprayer to spray undiluted bleach all over the inside of the recovery tank. Let the tank sit with the clean out cap and drain hose cap off until the inside of the recovery tank is dry. If your machine still has a foul odor order some Mopit deodorizer from Spectrum.



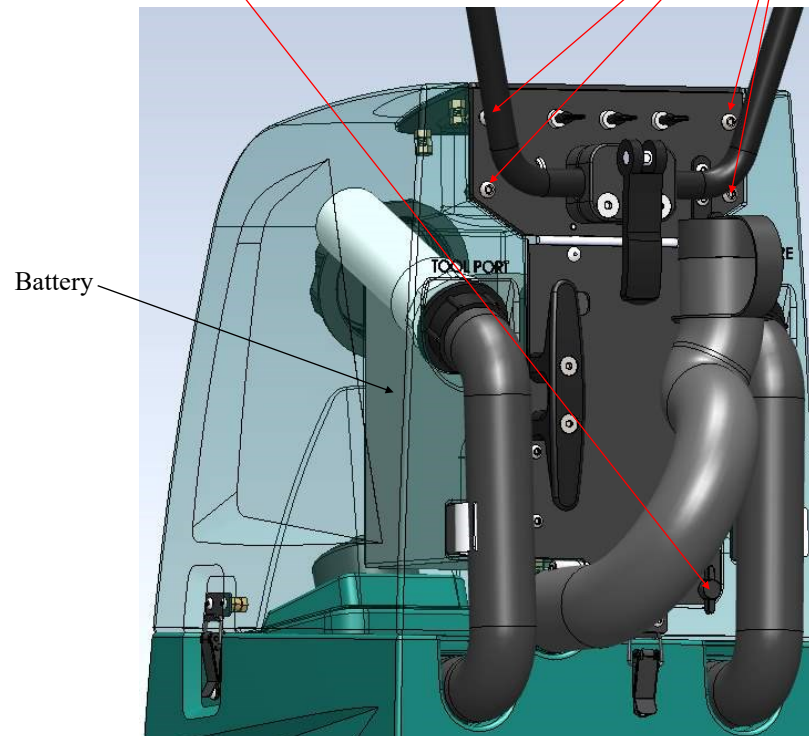
MAINTENANCE / SERVICE

Replacing The Battery Pack

A properly cared for lithium battery pack should last for about 2000 charging cycles.

IMPORTANT: It is critical that the batteries be replaced with 24Volt LiFePo4 Lithium batteries.

- 1-Make sure all of the switches are off and Remove the 4 switch plate screws
2. Remove the charger plate thumb screw
3. pull the battery out remove quick electrical disconnect.



MAINTENANCE / SERVICE

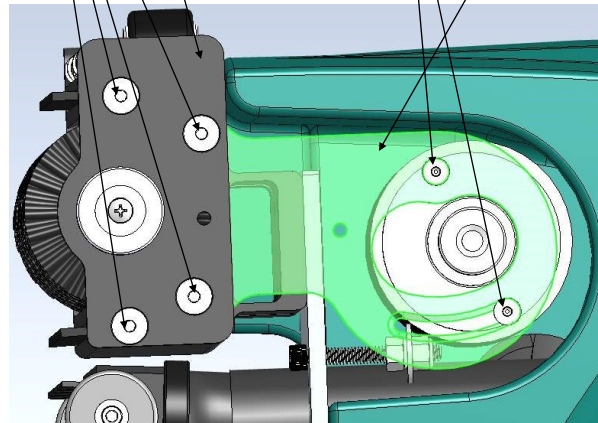
Brush Motor Replacement

On rare occasions the brush motor may need to be replaced. Please call Spectrum at 1-800-290-2833 to troubleshoot and see if your brush motor needs to be replaced. The brush motor is equipped with an automatic thermal circuit breaker. If the brush motor overheats the breaker will trip and will reset again when the motor cools down.

You **do not** need to remove any of the plastic tanks for motor replacement. It is easiest to replace the brush motor with the Mopit on its back.

You will need a 5/32, 1/8, and 3/16 Allen wrenches

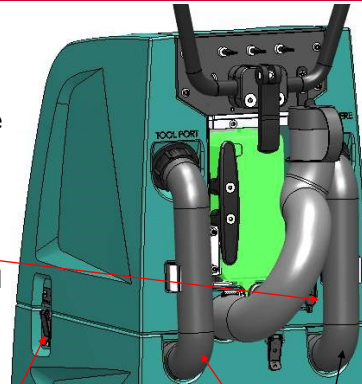
1. Follow the steps on page 11 to remove the belt
2. Remove these four Allen bolts using a 5/32 Allen wrench
3. Pull the drive bearing plate off of the brush and then you can pull the motor plate out as well
4. Remove the two motor screws using a 1/8 Allen wrench. Transfer the pulley onto the new motor by loosening the pulley set screw.
5. Replacement is the above steps in reverse
6. **HINTS:** Make sure that the motor pulley is touching only the motor shaft, not the motor base. Make sure that you tighten the set screws onto the flat of the motor shaft.



MAINTENANCE / SERVICE

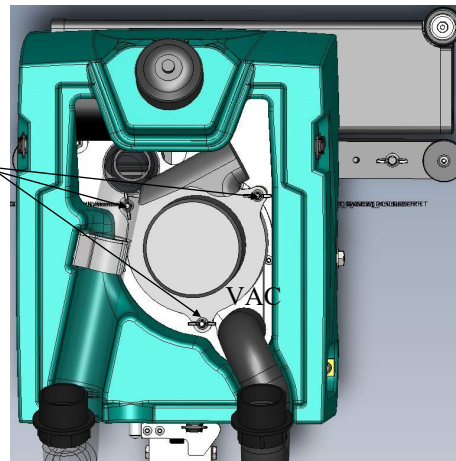
Battery Charger Replacement

If the power light does not come on when plugged in, or if the batteries are not accepting a charge, the charger may need to be replaced. To replace, remove the thumb screw, lift the hinged cover, disconnect electrical and pull charger free. Make sure to transfer the power cord gromet to the new charger.



Vacuum Motor Replacement

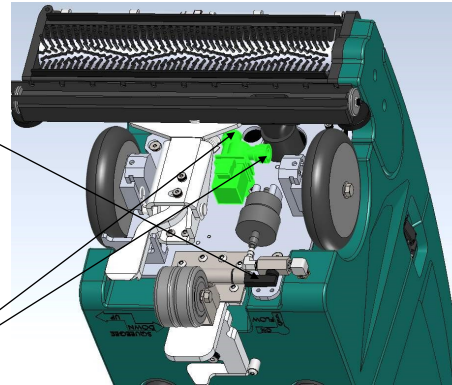
1. Drain the recovery tank per instructions on page 6.
2. Pull the Vacuum and Squeegee hose out of the back of the recovery tank
3. Unlatch the three tank latches and lift the recovery tank off
4. Disconnect the quick electrical quick disconnects
5. After disconnecting the two vacuum electrical quick disconnects use a 7/16 Ratchet with an extension to remove the 3 nuts that hold the vacuum in place and remove the vacuum motor. For replacement follow the above steps in reverse.



MAINTENANCE / SERVICE

Replacing Water Solenoid

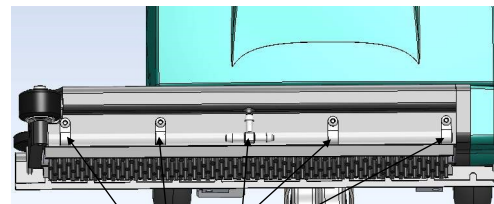
1. Turn off the manual water valve
2. Disconnect the solenoid electrical quick disconnect
3. Remove the two Solenoid mounting screws with the on-board 5/32 allen tool
4. Press in the two hose retaining clips and pull out the two hoses
5. To replace follow the above steps in reverse
6. Don't forget to turn the manual water valve back on



Replacing the Drip Tube

Occasionally you may need to replace your drip tube if it becomes filled with debris or you can't get water consistently out of it.

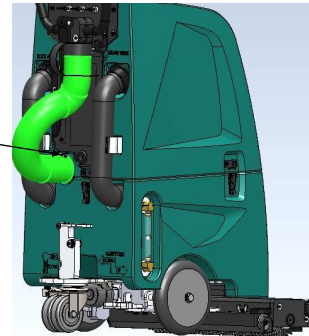
1. Turn off the manual water valve
2. Slide the drip tube out of the 4 clamps.
3. Pull the drip tube off of the tubing at the tee
4. Replace by following the above steps in reverse



MAINTENANCE / SERVICE

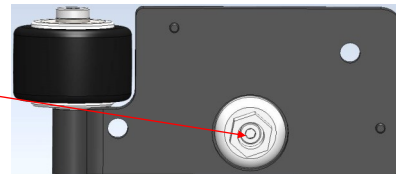
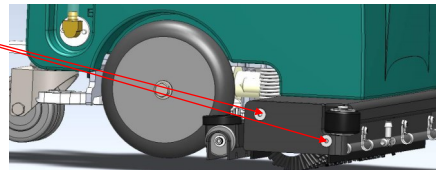
Drain Hose Replacement

1. Drain the dirty water (pg 6)
2. Loosen the hose clamp with a nut driver or flat head screw driver and pull off the hose
3. Replace the hose and tighten the hose clamp



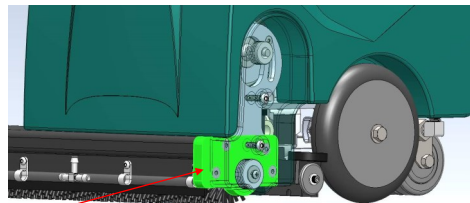
Idle Bearing Replacement

1. Remove the two allen screws from the idle bearing plate with on-board tool and remove end plate.
2. Use the on-board 5/32 Allen tool to remove this screw
3. Replace the idle cup / bearing assembly



Drive Bearing Replacement

1. Follow the instructions on pages 11 and 15 for removing the brush and brush motor
2. Pull off the bearing plate, and replace with a new bearing plate assembly from spectrum
3. See exploded view on page 31



TROUBLESHOOTING

Not Getting Any Water

1. Make sure the brush and solution switches are both on
2. Check to make sure the manual water valve (pg 7) is turned on.
3. Check to make sure there is water in the fresh water tank.
4. Check to make sure you are getting water past the fresh water filter. Pull off the tubing past the filter and open the manual water valve to make sure water comes out.
5. Check to make sure that the solenoid “clicks when you turn on the brush motor and flip the solution switch on and off.
6. Replace the drip tube. See page 17
7. Call Spectrum for additional troubleshooting

Mopit Batteries Not Charging

1. Check to make sure that the charger power cord is plugged into the charger and is in good condition and that your power outlet is working.
2. Call Spectrum for troubleshooting. Also see page 16 on charger replacement.

Mopit Is Leaving Black Marks

The most common cause is not getting water onto the floor. Black marks can also be caused by missing or worn squeegee wheels. See above for how to fix water issues and page 9 for squeegee replacement.

Mopit Machine Smells When I Use It

The Mopit will stink when the recovery tank is not cleaned out regularly. See page 13 for how to clean the tank.

Mopit Machine Is Shocking Me When In Use

Static shocks happen when no water is getting to the floor. The static electricity from the spinning brush causes the static shock. To fix this issue follow page 19 on not getting any water.

TROUBLESHOOTING

Mopit Machine Leaks When Not In Use

The most common cause for this is a faulty solenoid. Until we can get you a new solenoid simply turn off the manual water valve (pg 7) when the Mopit is not in use. Also see solenoid replacement (pg 17). The leak may also be coming from a drain hose that has a hole in it.

Mopit Not Cleaning Well

Several factors determine how well the Mopit will clean.

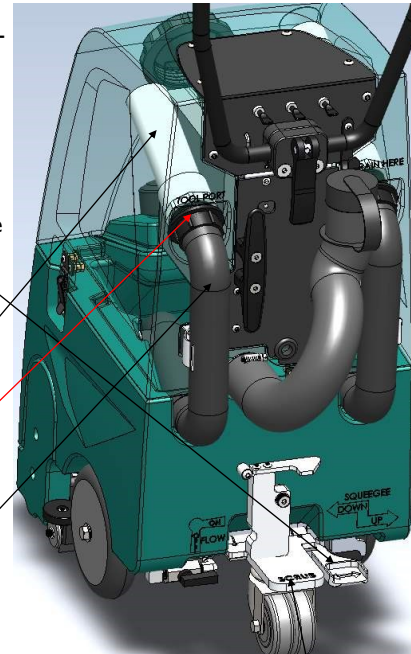
1. **Water:** use hot water for best cleaning. If no water is getting on the floor or the water delivery is uneven, the cleaning performance will be poor. See page 19 Not Getting Any Water, to make sure water delivery is working
2. **Brush Pressure:** see adjusting and checking brush pressure (pg 10)
3. **Suction and water recovery:** If your machine is not sucking up the water well, see page 21 for help. You can also lift the squeegee to double scrub very dirty areas see page 7 (Squeegee pedal)
4. **Battery Charge:** If your battery is weak you won't have much suction or scrubbing power. See pg 6 and pg 19 on battery charging
5. For more help call Spectrum 1-800-290-2833

TROUBLESHOOTING

My Mopit Is Not Picking Up Water

If the Mopit is not picking up water, there is an issue with the water recovery system. Here are the things to check:

1. Check the squeegee blades for wear and replace if necessary (pg 9)
2. Make sure the squeegee lift is in the down position (pg 7)
3. Make sure the drain hose cap is screwed on tightly
4. Make sure the Squeegee hose is firmly inserted into the hose receiver
5. Check the vacuum tube for obstructions
6. Flush water down the Squeegee hose to clear any clogs, Lots of water should come out of the squeegee bar during the flushing
7. Make sure the dirty water tank clean out cap is on (pg 13)
8. Make sure the dirty water tank is empty
9. Check the Vacuum screen inside the dirty water tank to make sure that its clean, if dirty spray it off as shown in (pg 13)
10. Make sure the squeegee suction hole is clear
11. Make sure both squeegee wheels are on, and are not worn. The wheels should be replaced each time the squeegee is replaced. They are included in each squeegee replacement kit
12. Make sure the you the Mopit is in the scrub mode instead of transport mode



MOPIT mini PARTS DIAGRAM

8

7

6

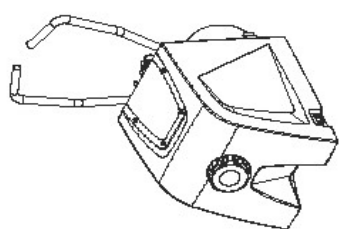
5

4

3

2

1



1

2

3

4

5

6

7

8

9

10

11

12

13

14

15

16

17

18


19

20

21

22

ITEM NO.	PART NUMBER	DESCRIPTION	QTY.
1	mm6040_01.BATTERY		1
2	5051_01.BTRY_CHRGR	BATTERY CHARGER	1
3	mm6019_02.ACCSS_PNL		1
4	4147_01.SWITCH	SWITCH	3
5	4152_01.CRD_WRP	CORD WRAP	1
6	4146_01.HS_CTCH	HOSE CATCH	2
7	mm6041_01.VCM_TB	1-1/2 ABS PIPE, 9 IN	1
8	5074_01.SPN_WLD_FING	1-1/2 NPT SPIN WELD FITTING	2
9	5084_01.ADPTR	1-1/2 NPT ADAPTER	2
10	mm6020_02.BTRY_DR		1
11	mm6048_01.HNG		1
12	mm6039_01.CHRGR_BRKT	CHARGER BRACKET	1
13	5004_01.THRDD_INSRT	10-32 THREADED INSERT	8
14	4139_01.THRDD_INSRT	THREADED INSERT, 1/4-20 UNC	10
15	4171_SCRW	1/4 - 20 X 5/8 BUTTON HEAD	8
16	mm6053_01.VCM_FLTR		1
17	FLAMBEAU_080075	FLAMBEAU FLUIDS CAP	1
18	91772A374		2
19	9307K27		1
20	mm6003_02.TP_TNK		1
21	mm6018_01.DASH		1
22	mm6042_01.SQG_TB	1-1/2 ABS PIPE, 9 IN	1



UNLESS OTHERWISE SPECIFIED DIMENSIONS ARE IN INCHES		APPROVALS	DATE
DESIGNED BY J. WESTFALL	DESIGNED BY J. WESTFALL	DATE	07/17/2011
CHECKED BY M. J. ELLIOTT	CHECKED BY M. J. ELLIOTT	DATE	07/17/2011
MADE BY M. J. ELLIOTT	PROJECT MANAGER COLIN LEWIS	DATE	07/17/2011
TEST N/A	PRODUCTION COLIN LEWIS	DATE	07/17/2011
DO NOT SCALE DRAWING	RELEASED BY COLIN LEWIS	DATE	07/17/2011

NOTES:

1. INTERPRET PER ASME Y14.41:2003. THIS DRAWING SHALL BE USED WITH MODEL OF THE SAME NAME FOR COMPLETE PRODUCT DIFFERENTIATION

ASSEMBLY, UPPER

DWG. NO. **mm6025_03.ASY_UPPER**

SHEET 1 OF 6
SCALE 1:10

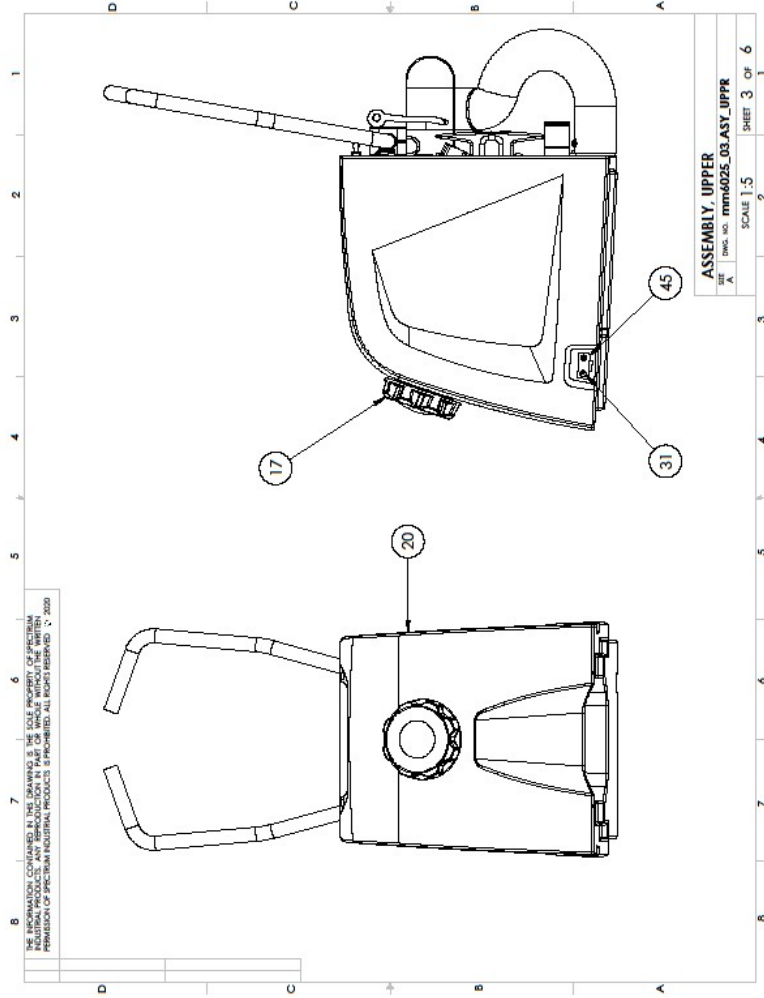
MOPIT mini PARTS DIAGRAM

ITEM NO.	PART NUMBER	DESCRIPTION	QTY.
23	5-32TO#2PHLPS_TOOL		1
24	5046_01.SCRW	10-24 HEX HEAD SCREW	2
25	91831A411		2
26	5043_01.SCRW	1/4-20 FLAT HEAD SCREW	2
27	5064_01.NT	1/4-20 HEX NUT	2
28	mm6043_01.BTRY_BRCKT	BATTERY BRACKET	1
29	5028_01.THMB_SCRW	PLASTIC THUMB SCREW, 1/4-20	1
30	mm6046_01.J_HOOK		1
31	92949A194		8
32	97525A485		2
33	5048_01.DRN_HS_SPN_WL	DRAIN HOSE SPIN WELD	1
34	91185A917		1
35	5067_01.HS_CLMP	WORM DRIVE HOSE CLAMP	1
36	5054_02.HNDL_CLMP	HANDLE CLAMP	2
37	mm6036_01.HNDL_BR	HANDLE BAR	1
38	5056_01.HNDL_BR_LTCH	HANDLE QUICK RELEASE	1
39	92210A589		2
40	mm6044_01.DRN_HS		1
41	92949A244		2
42	91831A011		2
43	mm6047_01_DASH_STCKR		1
44	mm6049_01.DRN_CP		1
45	J110_P01_01.LATCH		3

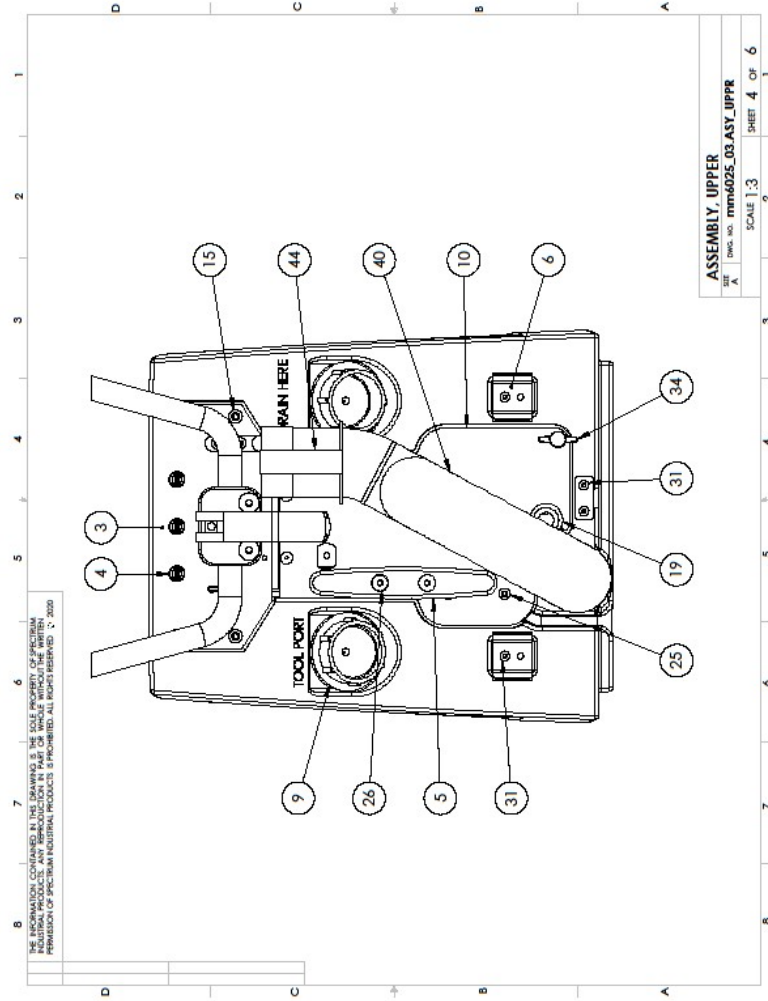
ASSEMBLY, UPPER

REV: A | DWG. NO.: mm6025_03.ASY_UPPER | SCALE: 1:12 | SHEET 2 OF 6

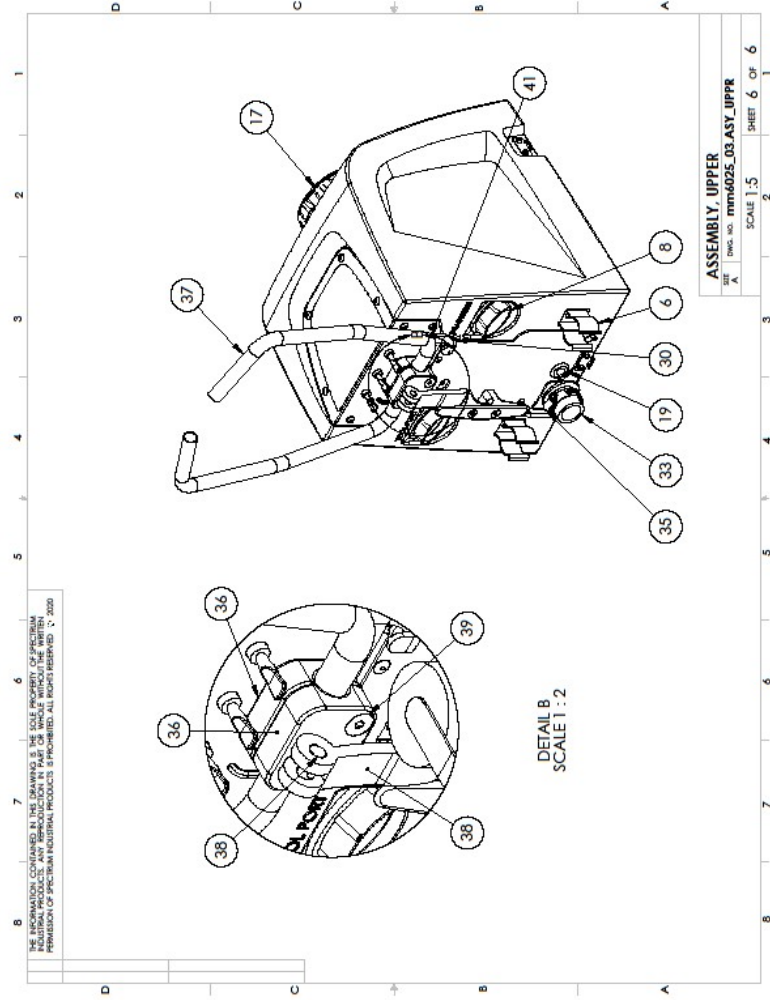
MOPIT mini PARTS DIAGRAM



MOPIT mini PARTS DIAGRAM



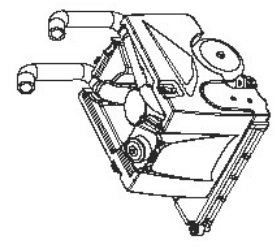
MOPIT mini PARTS DIAGRAM



MOPIT mini PARTS DIAGRAM

ITEM NO.	PART NUMBER	DESCRIPTION	QTY.
1	mm6001_02.B3PLT	BASE PLATE	1
2	mm6034_01.DRL_SD_BRSH_MNT	FREE SIDE BRUSH MOUNT	1
3	mm6033_01.DRV_SD_BRSH_MNT	DRIVE SIDE BRUSH MOUNT	1
4	mm6032_02.BRSH_PLY	LARGE PULLEY	1
5	mm6054_01.SQEGE_BLD	SQUEEGEE	2
6	4155_01.WHL_ADJSTR_MNT_B	WHEEL ADJUSTOR MOUNT MOD	2
7	4156_01.WHL_ADJSTR_SID	WHEEL ADJUSTOR SIDE	2
8	4143_01.WHL	WHEEL	2
9	4182.WSHR	WASHER 3/8 X 0.05	2
10	4183.SCRW	BOLT 3/8 - 16 X 2	2
11	mm6015_01.SQG_BRKT_UPR	UPPER SQUEEGEE BRACKET	1
12	mm6014_01.SQG_BRKT_LWR	LOWER SQUEEGEE BRACKET	1
13	5024_01.SHLDR_BLT	1/4-20 SHOULDER BOLT	2
14	mm6011_02.SQG_BR	SQUEEGEE BAR	1
15	mm6055_01.HS_RCVR		1
16	mm6012_04.SQG		1
17	mm6013_01.SQG_INSR	5/16 X 1 THREADED ROD	1
18	4174_01.SQG_BR_DECTR_WHL	DEFLECTOR WHEEL	2
19	4161_01.SQG_TP_WHL	SQUEEGEE BAR WHEEL	2
20	4187.SCRW	SCREW 10-24 X 1/2 BUTION HEAD	6
21	4133_01.FLTR_ASSY	FILTER ASSEMBLY	1
22	4186.SCRW	SCREW 1/4-20 X 1/2 BUTION HEAD	4
23	4172.SCRW	1/4 - 20 X 3/4	4
24	5034_01.WNG_NT	5/16-18 STEEL WING NUT	1
25	5035_01.FLTR_CLMP	FILTER CLAMP	1
26	5036_01.VCM_MTR	VACUUM MOTOR	1
27	5041_01.NYLN_SPCR	UNTHTREADED NYLON SPACER	2
28	5042_01.THROD_RD	1/4-20 X 4 THREADED ROD	3
29	5018_01.WNG_NT	1/4-20 WING NUT	3
30	5043_01.SPCR	UNTHTREADED ALUMINIUM SPACER	3

THE USER ASSUMES ALL LIABILITY FOR THE USE OF THIS DRAWING. SPECTRUM INDUSTRIAL PRODUCTS, ANY REPRODUCTION IN PART OR WHOLE WITHOUT THE WRITTEN PERMISSION OF SPECTRUM INDUSTRIAL PRODUCTS IS PROHIBITED. ALL RIGHTS RESERVED. © 2002



UNLESS OTHERWISE SPECIFIED DIMENSIONS ARE IN INCHES DECIMALS ARE TO 0.0001 FRACTIONS ARE TO 1/32 HOLE DIMENSIONS ARE TO 0.0001 HOLE DIMENSIONS ARE TO 0.0001 SEE BOM	APPROVALS DESIGNER J. WESTFALL 6/27/2001 CHECKER J. WESTFALL 6/27/2001 RELEASED COLLINS 6/27/2001	DATE 6/27/2001 6/27/2001 6/27/2001
--	--	---

NOTES:
1. INTERPRET PER ASME Y14.41-2003. THIS DRAWING SHALL BE USED WITH MODEL PRODUCTION DEFINITION

DO NOT SCALE DRAWING	REV. NO.	SCALE	SHEET	OF
	mm6030_05.ASY_BASE	1:10	2	10

MOPIT mini PARTS DIAGRAM

ITEM NO.	PART NUMBER	DESCRIPTION	QTY.
31	4184.01.SGG_SPRNG	SQUEEGEE BAR SPRING	1
32	5046.01.SCRW	10-24 X 1/2 HEX HEAD SCREW	3
33	5047.01.PCMN_WSHR	PACMAN WASHER	1
34	5094.01.SCRW	1/4-20 X 1-1/2 FLAT HEAD SCREW	4
35	92210A539		6
36	5059.01.SPN_WLD_FING	1/4 NPT SPIN WELD FITTING	2
37	4154.01.FLL_GAGE_ELBW	FLL GAGE ELBOW	2
38	mm6035.01.FLL_GAGE_TB	FLL GAGE TUBE	1
39	mm6006.04.BRSH_HD		1
40	mm6008.02.IDLR_PLT		1
41	mm6009.01.FLL_PLI		1
42	mm6005.01.BRSH_2.75IN		1
43	DELEC_WHL_00AAA		1
44	6516121		2
45	8876138		4
46	5117K16		1
47	6153K25		1
48	6153K74		1
49	mm6029.01.HX_BRSH_CORE		1
50	90301.A490		1
51	mm6027.01.VCM_MNT		1
52	92871A010		1
53	90337A463		1
54	91292A116		1
55	96489A113		1
56	90313A400		1
57	92146A011		1
58	91772A246		1
59	92210A542		2
60	4139.01.THREDD_INSRT	THREADED INSERT, 1/4-20 UNC	8
61	92210A540		1
62	mm6016.01.SGG_LVR	SQUEEGEE PEDAL	1
63	SC_SPRNG_HNG_01		1
64	mm6021.02.CSTR_PDL		1
65	4144.01.CSTR	CASTOR	1
66	91771A626		1

ASSEMBLY BASE
 DWG. NO. mm4090.05.ASY_BASE
 SCALE 1:12
 SHEET 2 OF 10

THE INFORMATION CONTAINED IN THIS DRAWING IS THE SOLE PROPERTY OF PERFORM INDUSTRIAL. REPRODUCTION OR TRANSMISSION OF THIS DRAWING OR ANY PART THEREOF WITHOUT THE WRITTEN PERMISSION OF PERFORM INDUSTRIAL PRODUCTS IS PROHIBITED. ALL RIGHTS RESERVED. © 2020

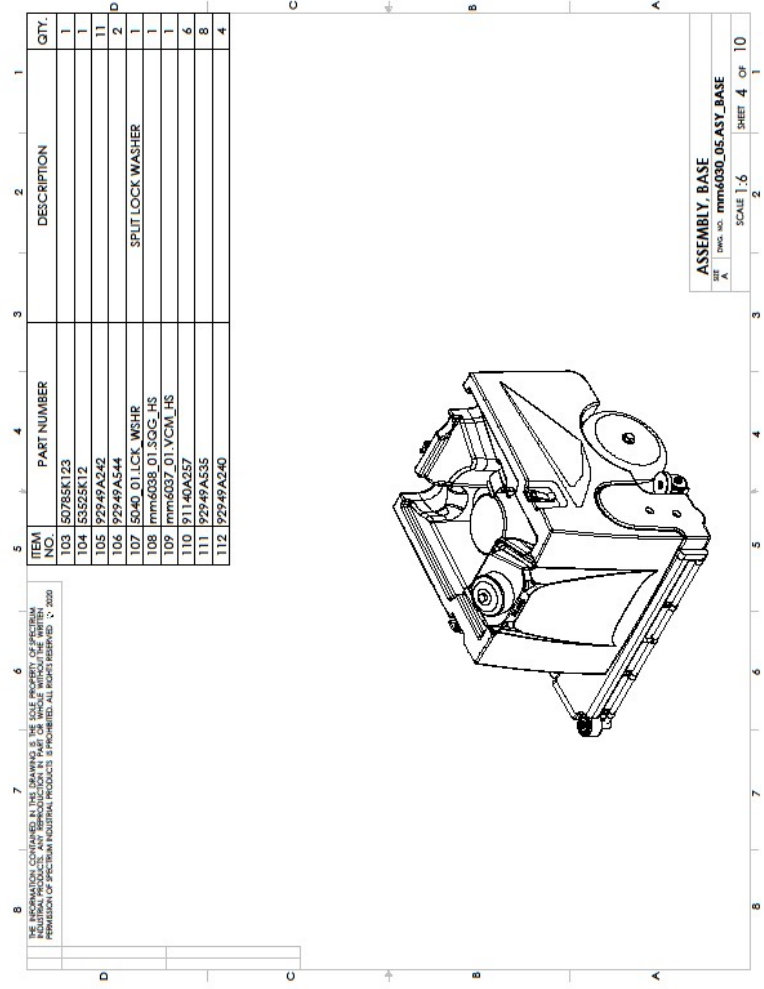
MOPIT mini PARTS DIAGRAM

ITEM NO.	PART NUMBER	DESCRIPTION	QTY.
67	91831A127		1
68	1089722		1
69	5030_01.SLND	SOLENOID	1
70	mm6010_00AA.MTR_FLT		1
71	4134_01.MOTOR	BRUSH MOTOR	1
72	4170_SCRW	10 - 32 X 5/8	2
73	mm6031_02.MTR_PLY	SMALL PULLEY	1
74	MTR_SPCB_00A8		1
75	mm6007_01AA.BILT_CYR		1
76	3-8_16_INSR1_00AA	THREADED INSERT, 1/4-20 UNC	1
77	mm6024_02.SCG_STP	SOUEBCEE STOP	1
78	90313A205		1
79	91831A029		2
80	92196A801	18-8 Stainless Steel Socket Head Screw	1
81	mm6022_02.CSTR_STP		1
82	mm6023_03.CSTR_LVR		1
83	92330A941		1
84	92196A240	18-8 Stainless Steel Socket Head Screw	2
85	5079_01.FILL_CP	FILL CAP	1
86	468808_STRNE		1
87	JT06+JT10.LATCH		3
88	5032_01.SCRW	1/4-20 X 1/4 BUTTON HEAD SCREW	2
89	92240A537		2
90	5050_01.SCRW	10-24 X 3/8 HEX HEAD SCREW	6
91	5039_01.SPCR	UNTHREADED ALUMINIUM SPACER	1
92	5049_01.SCRW	10-24 X 3/4 HEX HEAD SCREW	1
93	5004_01.THRDD_INSR1	10-32 THREADED INSERT	7
94	9017A1160		1
95	92949A835		1
96	mm6052_01.1-4NFT_INSR1	THREADED INSERT, 1/4-20 UNC	1
97	4146_01.HS_CTCH	HOSE CATCH	1
98	mm6002_02.8TM_TNK		1
99	91273A311		1
100	93320A300		1
101	92949A245		1
102	1-4NFT_VALVE	VALVE	2

ASSEMBLY BASE
 SHEET 3 OF 10
 SCALE 1:12
 PART NO. mm6030_05.ASY_BASE

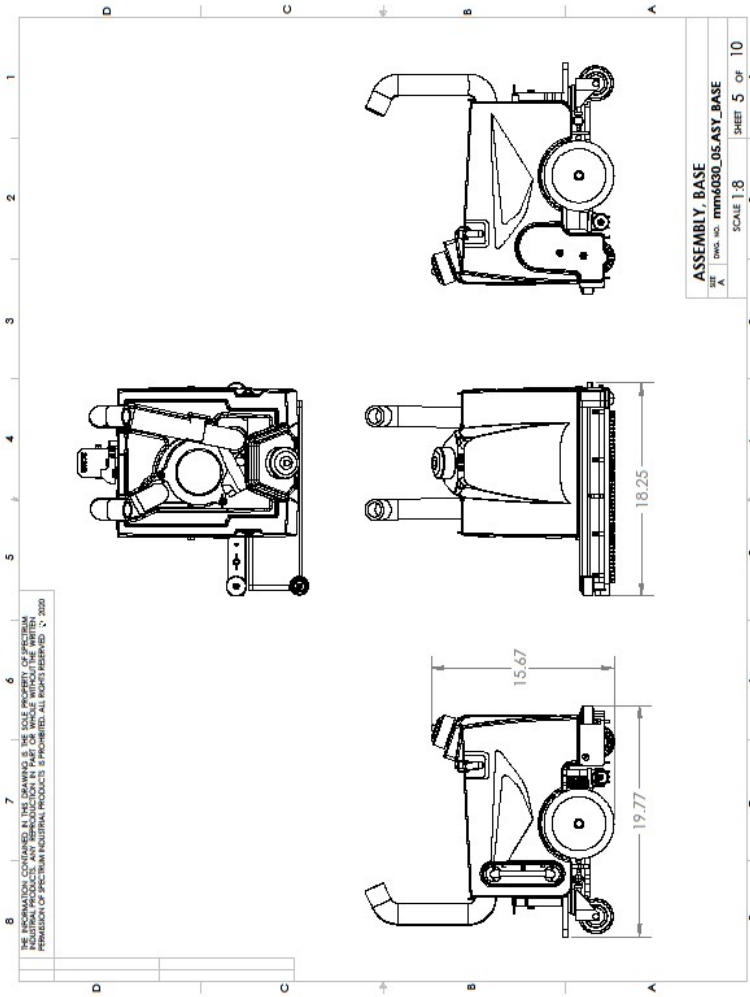
THE USER ASSUMES ALL LIABILITY FOR THE USE OF THIS PRODUCT. SPECTRUM INDUSTRIAL PRODUCTS, INC. MAKES NO WARRANTY OF MERCHANTABILITY OR FITNESS FOR ANY PARTICULAR PURPOSE. ANY REPRODUCTION IN WHOLE OR IN PART OF THIS DOCUMENT WITHOUT THE WRITTEN PERMISSION OF SPECTRUM INDUSTRIAL PRODUCTS, INC. IS PROHIBITED. ALL RIGHTS RESERVED. © 2020

MOPIT mini PARTS DIAGRAM

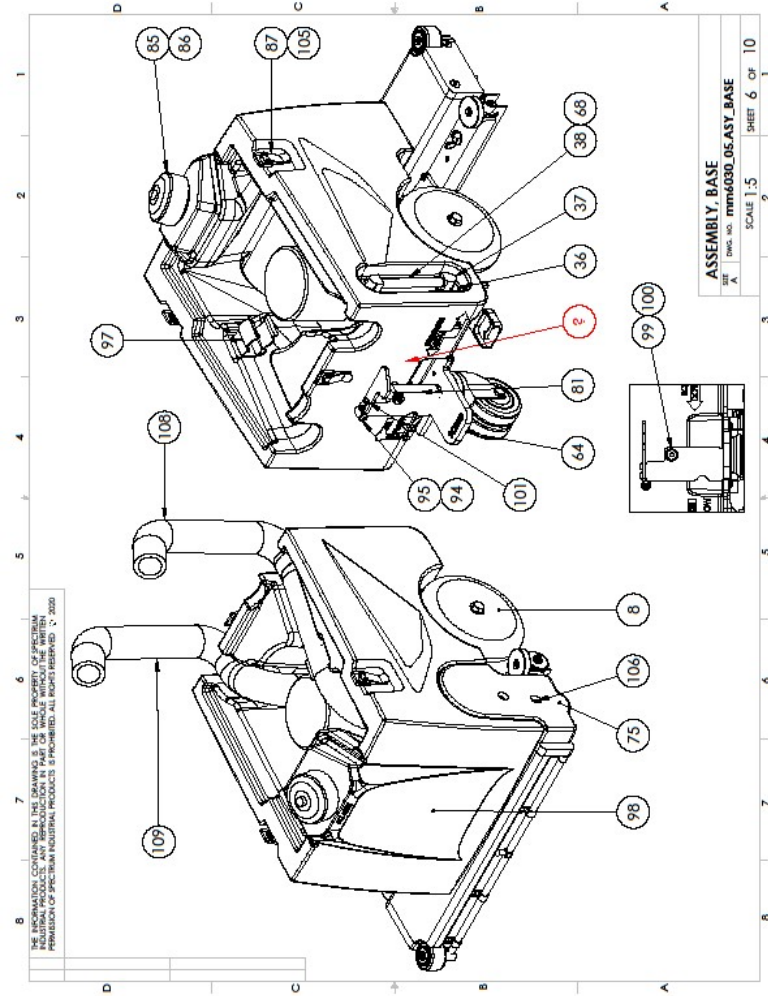


THE INFORMATION CONTAINED IN THIS DRAWING IS THE SOLE PROPERTY OF SPECTRUM INDUSTRIAL. REPRODUCTION OR TRANSMISSION OF THIS DRAWING WITHOUT THE WRITTEN PERMISSION OF SPECTRUM INDUSTRIAL PRODUCTS IS PROHIBITED. ALL RIGHTS RESERVED. © 2009

MOPIT mini PARTS DIAGRAM

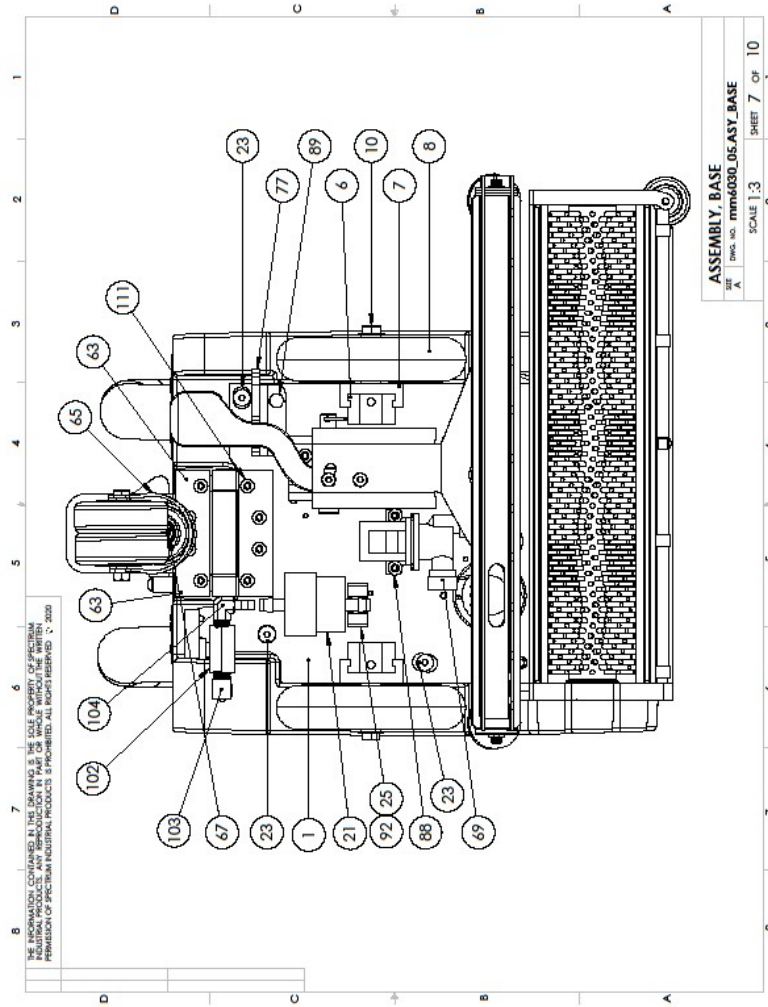


MOPIT mini PARTS DIAGRAM

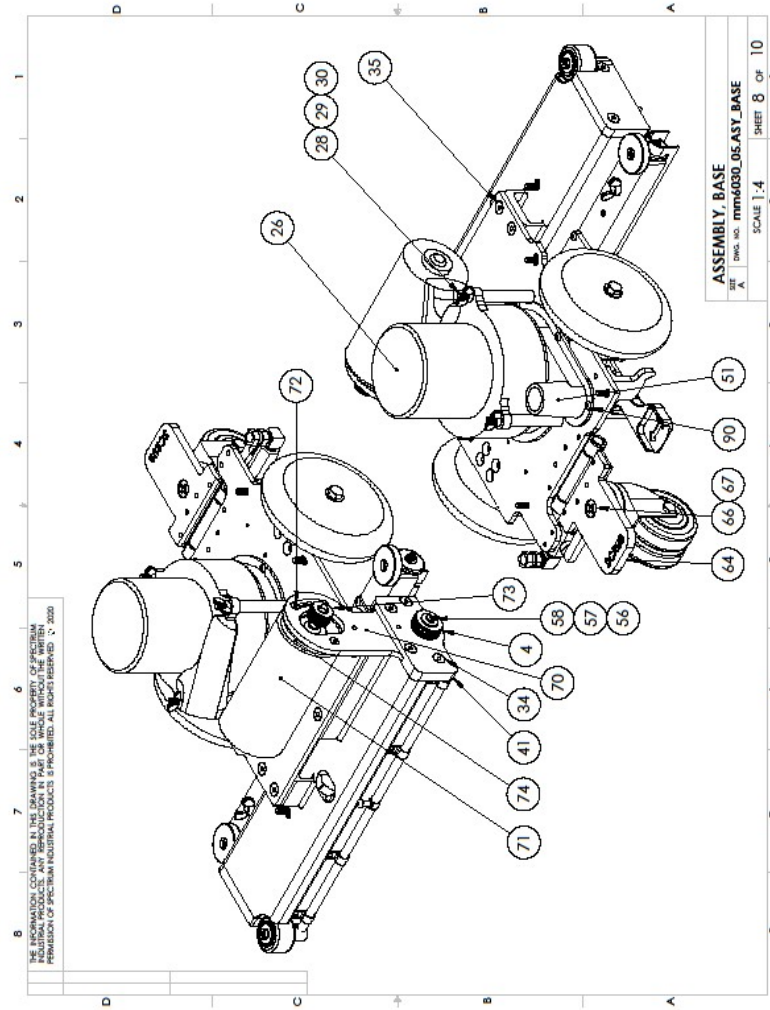


ALL DIMENSIONS ARE IN MILLIMETERS UNLESS OTHERWISE SPECIFIED.
THIS DRAWING IS THE PROPERTY OF SPECTRUM INDUSTRIAL PRODUCTS. ALL RIGHTS RESERVED. © 2020

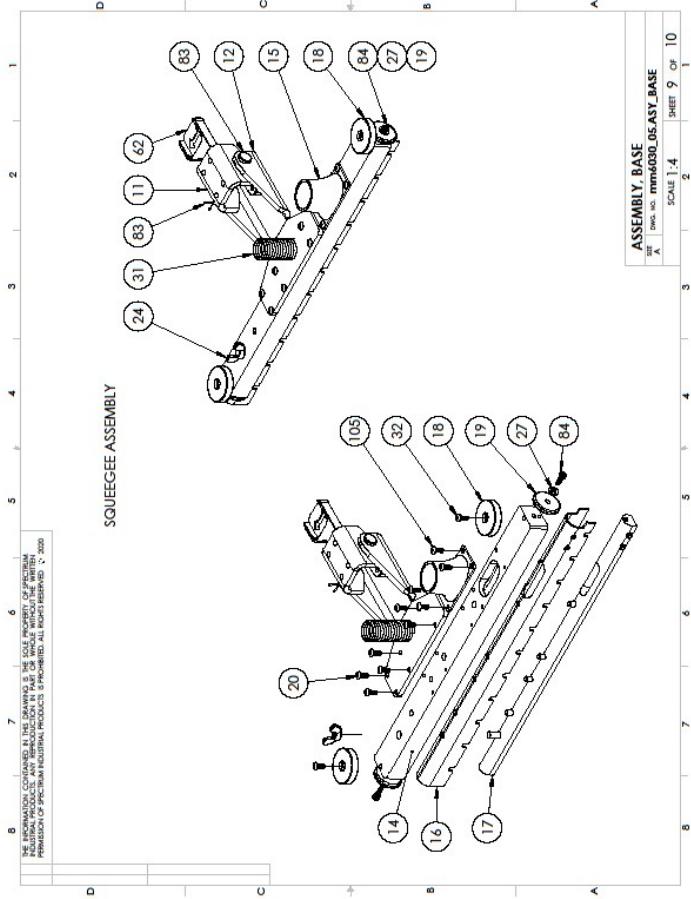
MOPIT mini PARTS DIAGRAM



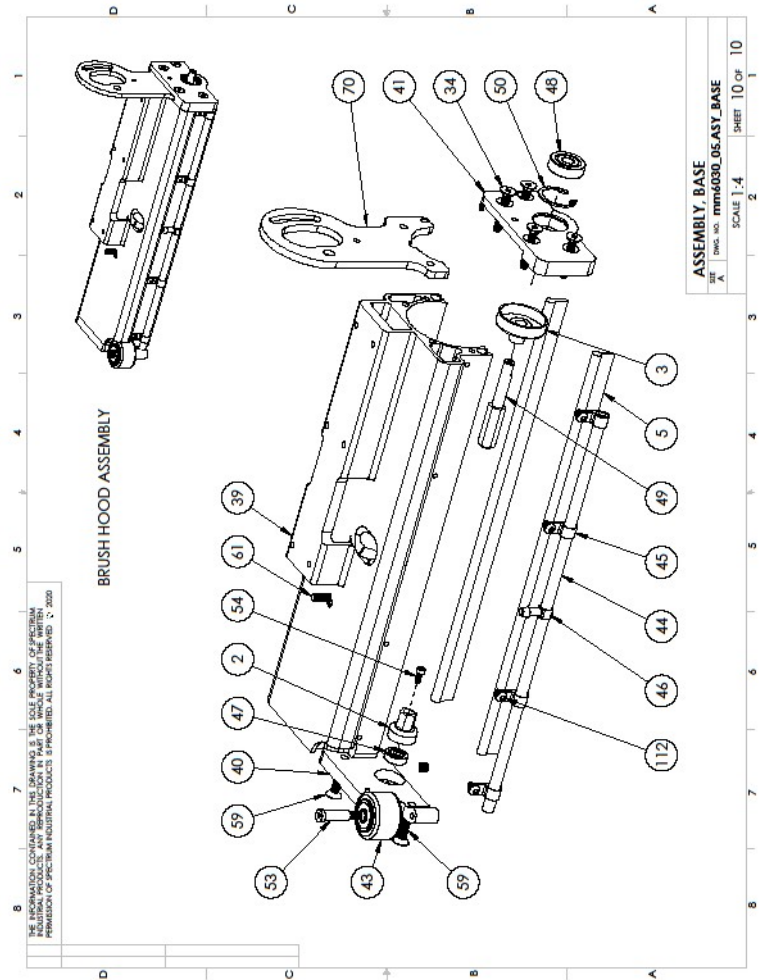
MOPIT mini PARTS DIAGRAM



MOPIT mini PARTS DIAGRAM



MOPIT mini PARTS DIAGRAM



MOPIT mini SPECIFICATIONS

Cleaning Path	15 Inches
Fresh Water Capacity	2.9 Gallons
Dirty Water Capacity	4.75 Gallons
Solution Flow Rate	.145 to .08 Gallons Per Minute
Scrub Brush Speed	1450 RPM
Brush Size	15" long 2.75" in Diameter
Vacuum Motor	24 Volt 2 Stage, 45.8" Water Lift Sealed
Run Time per Charge	Approx 60 Minutes
Charger	On-board 24V 5 Amp
Weight	70 lbs (dry weight)
Length	18.75 Inches
Height	40 inches w/handle in working position 26.75 inches with handle folded
Width	18.75 Inches



Spectrum Industrial Products LLC
868 West 400 North
Logan, Utah 84321
Phone: 1-800-290-2833
Email: mopit@mopit.com
Web: www.mopit.com