

**SPECTRUM**

• *Spectrum Industrial Products* •

# Mopit MAX





To view Mopit MAX instructional videos scan this QR code with your smart phone. You can also find Mopit MAX instructional videos on our YouTube channel, spectrummopit.

## TABLE OF CONTENTS

---

### BASIC OPERATION

Mopit safety information	4
Filling the fresh water tank	4
Using Mopit cleaning solution	4
Mopit switches	5
Handle bar adjustment	5
Water level gauge	5
Draining the dirty water	6
Charging the Mopit	6
Water valve	7
Transporting the Mopit	7
Squeegee lift pedal	7

### MAINTENANCE / MOPIT SERVICE

Draining the fresh water tank	8
Cleaning the water filter	8
Squeegee replacement	9
Brush pressure adjustment	10
Belt replacement and tension ring	11
Brush replacement	12
Cleaning the recovery tank	13
Battery pack replacement	14
Brush motor replacement	15
Battery charger replacement	16
Vacuum motor replacement	16
Water solenoid replacement	17
Water drip tube replacement	17
Drain hose replacement	18
Idle bearing replacement	18
Drive bearing replacement	18

### TROUBLESHOOTING

Not getting any water	19
Battery not charging	19
Mopit is leaving black marks	19
Mopit smells when I use it	19
Mopit shocks me when in use	19
Mopit leaks when not in use	20
Mopit not cleaning well	20
Mopit is not picking up water	21
Mopit parts diagrams	22-35

### SPECIFICATIONS

Mopit specifications	36
----------------------	----

Scan this QR code with your smart phone to watch the Mopit MAX training video. You can view all of our Mopit videos on our YouTube channel, spectrummopit.



## BASIC OPERATION

### **WARNING!!!!**

- Do Not Use or Pick Up Flammable Materials with the Mopit.
- Do Not Use Mopit Near Flammable Liquids or Vapors.
- Disconnect Battery Cables and Charger Cord Before Servicing.
- Do Not Use or Store Outdoors.
- Do Not Use Bleach in the Mopit.

Before using the Mopit MAX, you need to fill it with water and cleaning solution.

### **Filling The Fresh Water Tank**

This is where you fill the Mopit with water. It is best to add the cleaning solution after you have filled the tank with water. It is **ok** to let water stay in the fresh water tank for an extended period of time.

### **Using Mopit Cleaning Solution**

Mopit cleaning solution is very concentrated. It only takes 2-3 ounces of solution per Mopit tank for normal cleaning. For greasy floors you can use 2-3 ounces of solution per Mopit fill.

The fresh water tank cap is a one ounce measuring cup, you can also order a one ounce per pump dispenser by calling us at 1-800-290-2833.



Scan this QR code with your smart phone to watch the handle bar adjustment video. You can view all of our Mopit videos on our YouTube channel, spectrummopit.



## BASIC OPERATION

### The Mopit Has 3 Switches

The Vacuum Switch,  
The Solution Switch,  
& The Brush Switch.

Simply turn on all three switches and walk. The water switch will work only when both the brush and water switches are on.

When operating the Mopit, you may

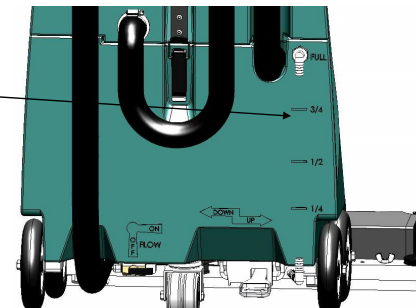
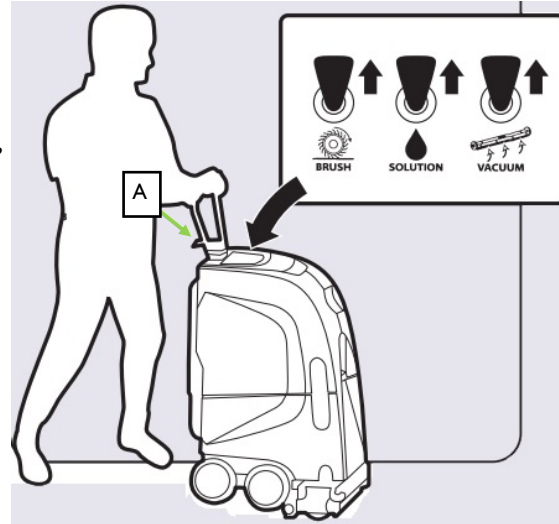
walk at a normal pace. If there is a really dirty area, cleaning performance is increased by pushing the Mopit slower.

### Handle Bar Adjustment

To adjust the handle bar height, simply lift up the handle bar quick release lever (A), adjust the handle, and then push the quick release lever back down. If the quick release lever ever needs to be adjusted twist the handle clockwise.

### Water Level Gauge

This is the water level gauge. The fresh water tank holds 9 gallons of water. The recovery tank holds 12.5 gallons of water.



## BASIC OPERATION

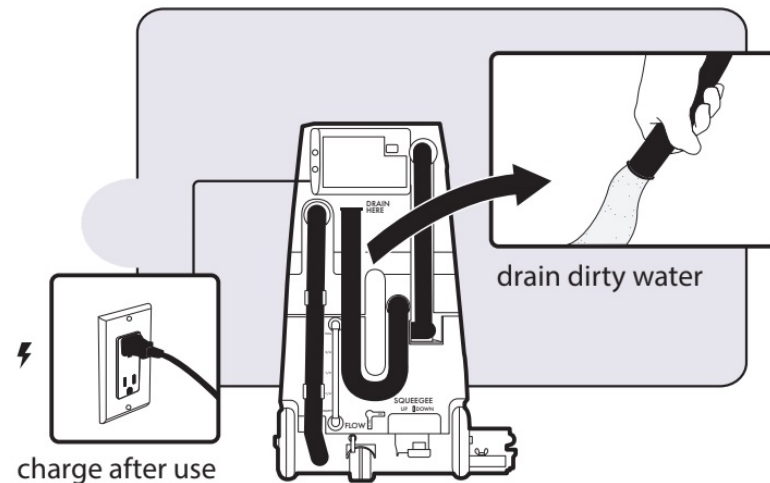
---

### Draining The Dirty Water

It is important to drain the dirty water tank after each use. If dirty water sits in your dirty water tank for an extended period of time, your machine will start to stink. Simply remove the drain hose cap and let the drain hose down onto a floor drain. After draining, be sure to put the cap on tightly. If the cap is not screwed on tight, the machine will lose suction power.

### Charging The Mopit

The Mopit is battery operated. Keep the Mopit plugged in whenever it is not being used. You do **not** need to wait until the batteries are fully charged to use the Mopit. You do **not** need to run the batteries down before you can charge the Mopit. To charge the Mopit, plug the battery charger into the wall. The on-board charger has one indicator light. The light will be red or amber when it is charging and green when fully charged.

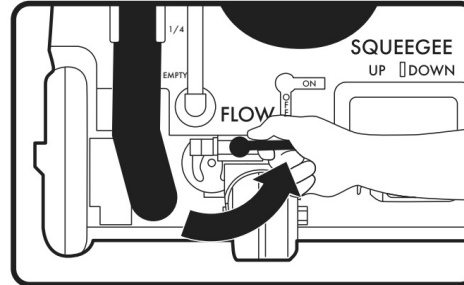


## BASIC OPERATION

### Water Valve

The water control valve controls how much water goes onto the floor.

The water valve is fully **on** when the black valve handle is horizontal, and fully **off** when the handle is vertical.



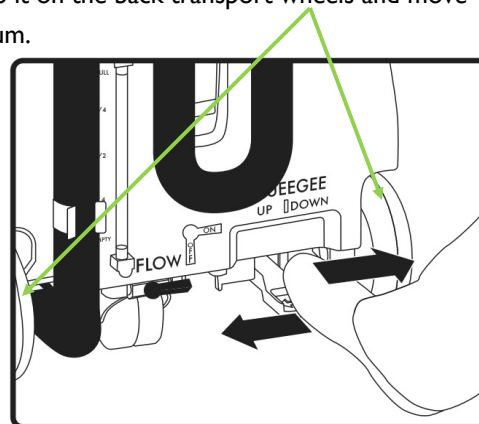
To lower water output, position the valve between on and off. Before cleaning the water filter, you should turn the water valve off.

### Transporting The Mopit

When moving the Mopit, tip it on the back transport wheels and move it like an upright floor vacuum.

### Squeegee Lift Pedal

The squeegee lift pedal is used for deep cleaning. It allows you to make multiple scrubbing passes without picking up the water on the floor. This is called double scrubbing. To lift the squeegee, push the pedal down and slide it to the left. To drop the squeegee, push the pedal down and slide it to the right.



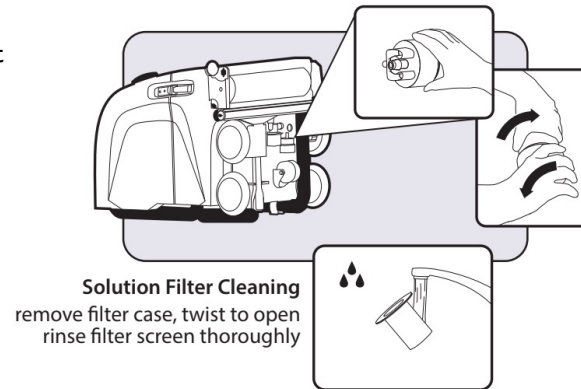
Scan this QR code with your smart phone to watch the Mopit water filter video. You can view all of our Mopit videos on our YouTube channel, spectrummopit.



## MAINTENANCE / SERVICE

### Cleaning The Water Filter

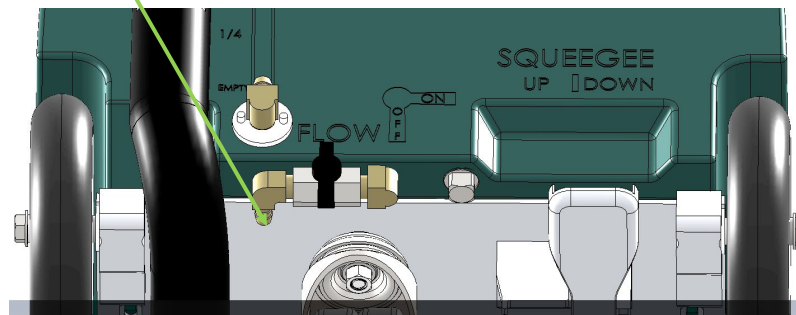
When you are not getting enough water onto the floor, clean the water filter. Before you clean the fresh water filter make sure that the water valve is turned off (see page 7).



Tip the Mopit on its back, pull the filter out of its clip, pull off the water lines, twist the filter housing apart, and remove and rinse out the filter.

### Draining The Fresh Water Tank

Occasionally, you may need to drain the fresh water tank. The tank will need to be drained before shipping. There is no harm in leaving water in the fresh water tank for an extended period of time. You will want to have the machine outside or positioned over a floor drain when you drain the tank. Remove the water line from the water valve and open the valve.





## MOPIT MAX

Scan this QR code with your smart phone to watch the Mopit squeegee replacement video. You can view all of our Mopit videos on our YouTube channel, spectrummopit.

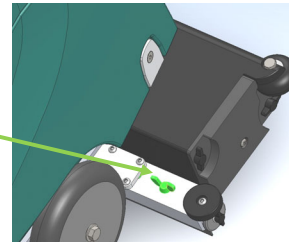


## MAINTENANCE / SERVICE

### Changing The Squeegee Blade

On average, the squeegee blade will need to be changed every 2-6 weeks. If the machine is leaving streaks, and not picking up all of the water, or the Mopit is not cleaning very well, check your squeegee blade for wear.

1. Tip the Mopit on its back.
2. Remove squeegee wing nut.
3. Pull out the squeegee insert and remove the squeegee blade.
4. Place the new squeegee blade over the squeegee insert.
5. Hold the squeegee blade over the two side dowel pins and slide the squeegee insert pin into the squeegee bar receiver hole.
6. Push the remainder of the squeegee insert into the squeegee bar and replace the wing nut.



7. Replace the white squeegee wheels.

Scan this QR code with your smart phone to watch how to adjust the brush pressure. You can view all of our Mopit videos on our YouTube channel, spectrummopit.



## MAINTENANCE / SERVICE

### Adjusting The Brush Pressure

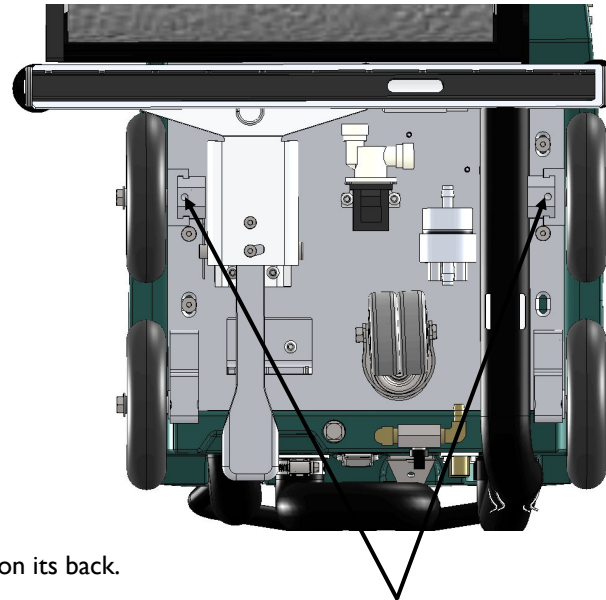
**WARNING:** Adjusting the brush too low can damage the brush motor and lessen the cleaning performance.

As the scrub brush wears, your brush pressure on the floor will lessen. To compensate for brush wear, adjust the wheels to lower the brush head.

To adjust the brush pressure, tip the machine on its back.

Insert a 5/32 Allen wrench into the wheel block windows. Turn the Allen wrench counterclockwise one complete turn. Adjust both wheels by the same amount.

**IMPORTANT:** You must adjust each wheel by the same amount. Failure to do so will cause un-even brush wear. If you don't know if the wheels have both been evenly adjusted, turn the screw as far as you can clockwise, then begin again to adjust each wheel counterclockwise by the same amount. It is wise, with each full turn of the screw, to stand the machine back up and check the brush deflection from the side of the machine. ***We recommend one inch of brush width touch the floor but only a 1/4 inch of brush depth on the floor.***



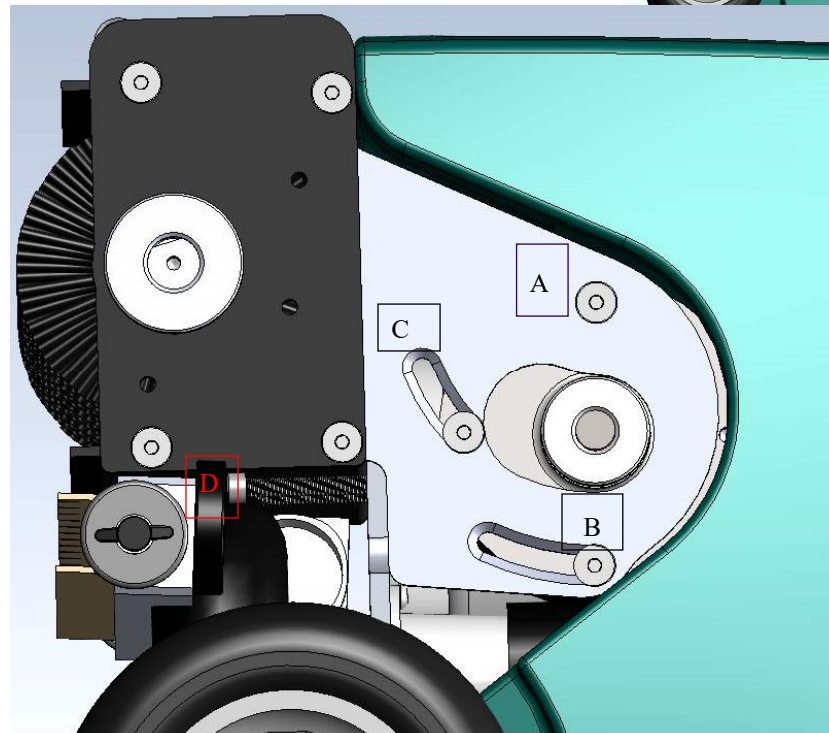
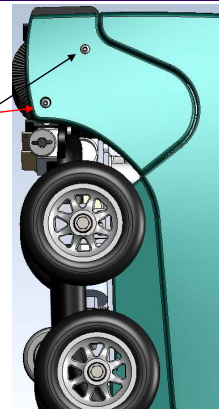
Scan this QR code with your smart phone to watch how replace and tension the belt. You can view all of our Mopit videos on our YouTube channel, spectrummopit.



## MAINTENANCE / SERVICE

### Belt Replacement And Tensioning

1. Tip the Mopit on its back.
2. Remove belt cover by removing the two 5/32" allen screws
3. Loosen these two 5/32" Allen screws (A, B, C). With a 3/16" Allen wrench twist the belt tensioning screw (D) counter clockwise.
4. Remove old belt.
5. Installation is the above steps in reverse.



Scan this QR code with your smart phone to watch how replace the brush. You can view all of our Mopit videos on our YouTube channel, spectrummopit.

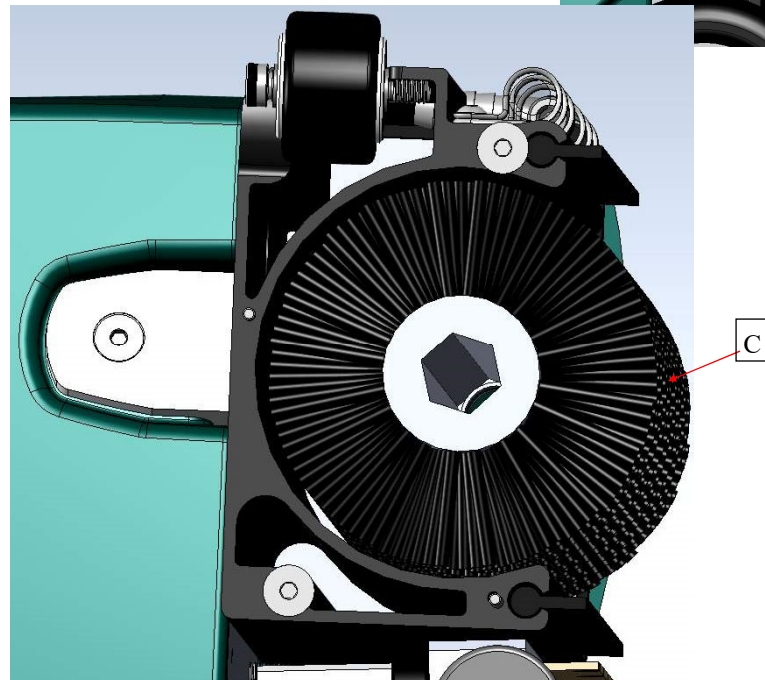
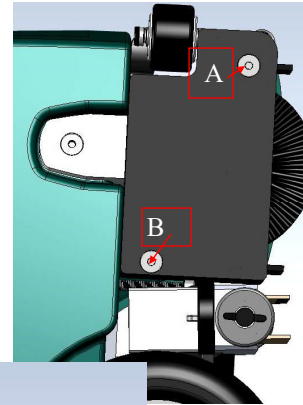


## MAINTENANCE / SERVICE

### Brush Replacement

The Mopit MAX scrub brush is very durable and should last at least one year. As the brush wears, it can be lowered by following the instructions on page 10. For replacement, follow the steps below.

1. Remove the two 5/32 Allen screws (A, B) on the idle bearing plate by twisting them counter clockwise.
2. Pull off the bearing plate.
3. Pull the old brush out of the hood (C).
4. Installation is the above steps in reverse.

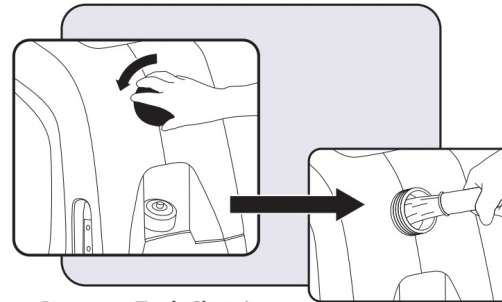


## MAINTENANCE / SERVICE

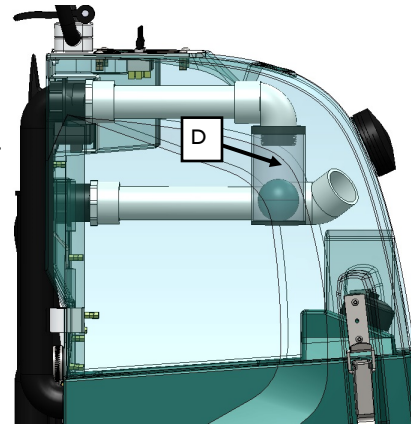
### Cleaning The Recovery Tank And Vacuum Filter

If the recovery tank is not cleaned out regularly, the Mopit will begin to stink. To clean, remove the clean out access cap by twisting it counter-clockwise. Open the drain hose and place it over a floor drain. Use a hose with a sprayer to spray out the recovery tank. It may also help to back flush the drain hose. Take special care to spray off the vacuum filter/shut off valve (D).

After spraying out the tank, use a trigger sprayer to spray undiluted bleach all over the inside of the recovery tank. Let the tank sit with the clean out cap and drain hose cap off until the inside of the recovery tank is dry. If your machine still has a foul odor, order some Mopit deodorizer from Spectrum.



**Recovery Tank Cleaning**  
remove clean out cap  
spray clean interior of tank



Scan this QR code with your smart phone to watch how replace the battery. You can view all of our Mopit videos on our YouTube channel, spectrummopit.



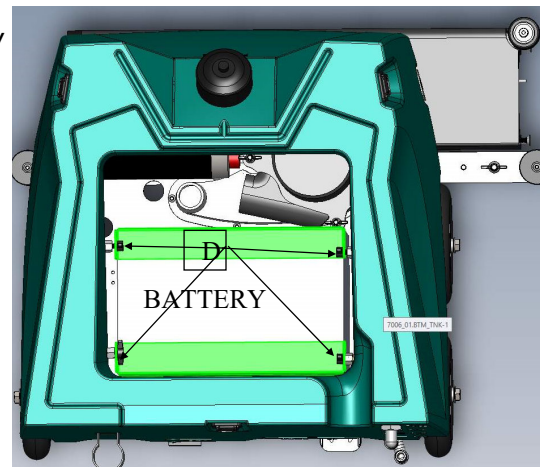
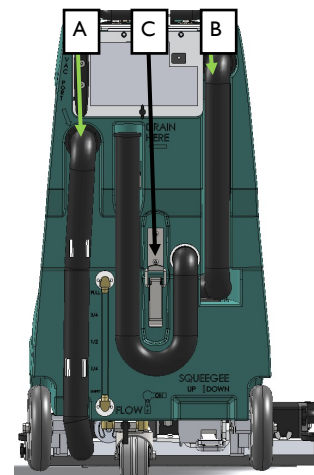
## MAINTENANCE / SERVICE

### Replacing The Battery Pack

A properly cared for lithium battery pack should last for about 2000 charging cycles.

**IMPORTANT:** It is critical that the batteries be replaced with 24Volt LiFePo4 Lithium batteries.

1. Drain the recovery tank per instructions on page 6.
2. Pull the squeegee and vacuum hoses (A, B) out of the back of the recovery tank.
3. Unlatch the three latches, (C, in addition to two on each side of the machine).
4. Lift the recovery tank off the machine and lay it on its side.
5. Remove the battery electrical quick disconnect.
6. Remove the four thumb screws (D) for the battery mounts.
7. Lift out the battery
8. Battery replacement is the above steps in reverse.



Scan this QR code with your smart phone to watch how replace the brush motor. You can view all of our Mopit videos on our YouTube channel, spectrummopit.



## MAINTENANCE / SERVICE

### Brush Motor Replacement

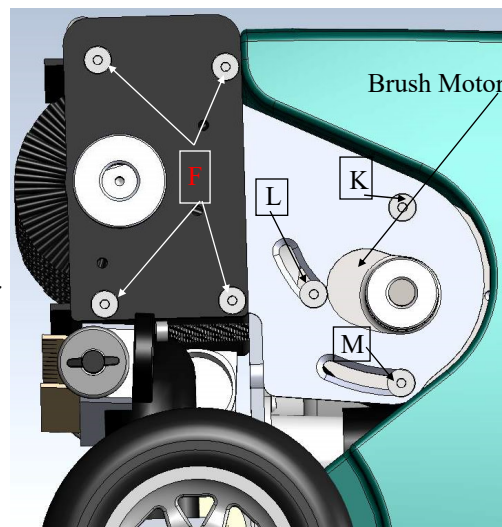
On rare occasions, the brush motor may need to be replaced. Please call Spectrum at 1-800-290-2833 to troubleshoot and see if your brush motor needs to be replaced. The brush motor is equipped with an automatic thermal circuit breaker. If the brush motor overheats, the breaker will trip and will reset again when the motor cools down.

You **do not** need to remove any of the plastic tanks for motor replacement. It is easiest to replace the brush motor with the Mopit on its back.

You will need a 5/32, and 3/16 Allen wrenches.

1. Follow the steps on page 11 to remove the belt.
2. Remove the four Allen bolts (F) using a 5/32 Allen wrench.
3. Pull off the Drive bearing plate and the motor plate nested behind it should come off too.
4. Remove the three motor screws (K, L, M) using a 5/32 Allen wrench. Transfer the pulley onto the new motor by loosening the pulley set screw.
5. Replacement is the above steps in reverse.

**TIP:** Make sure that the motor pulley is touching only the motor shaft, not the motor base. Make sure that you tighten the set screws onto the flat of the motor shaft.





Battery Charger Replacement

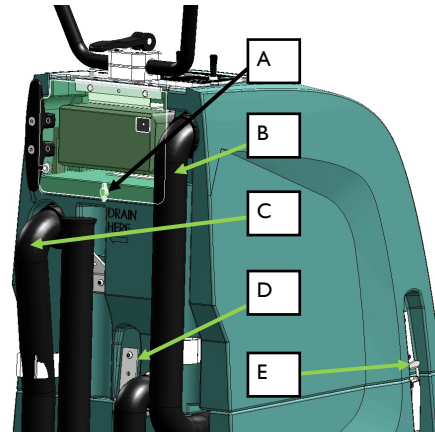


Vac Motor Replacement

## MAINTENANCE / SERVICE

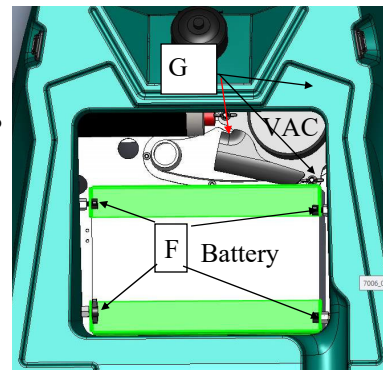
### Battery Charger Replacement

If the power light does not come on when plugged in, or if the batteries are not accepting a charge, the charger may need to be replaced. To replace remove the thumb screw (A), lift the hinged cover, disconnect electrical and pull charger free. Make sure to transfer the power cord grommet to the new charger.



### Vacuum Motor Replacement

1. Drain the recovery tank per instructions on page 6.
2. Pull the vacuum and squeegee hoses (B, C) out of the back of the recovery tank.
3. Unlatch the three tank latches (D, E, third latch on other side) and lift the recovery tank off.
4. Disconnect the battery electrical quick disconnect.
5. Remove the battery tie down thumb screws (F) and lift out the battery.
6. After disconnecting the two vacuum electrical quick disconnects, use a 7/16 Ratchet with an extension to remove the 3 nuts (G) that hold the vacuum in place and remove the vacuum motor. For replacement follow the above steps in reverse.







Solenoid Diaphragm Replacement

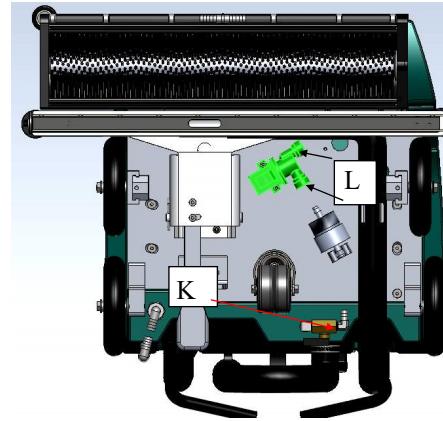


Drip Tube Replacement

## MAINTENANCE / SERVICE

### Replacing Water Solenoid

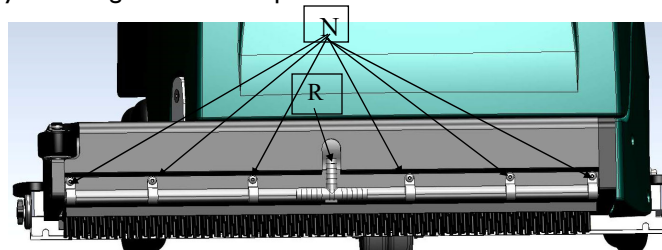
1. Turn off the manual water valve (K).
2. Disconnect the solenoid electrical quick disconnect.
3. Remove the two solenoid mounting screws with a Phillips screw driver.
4. Press in the two hose retaining clips (L,) and pull out the two hoses.
5. To replace follow the above steps in reverse.
6. Don't forget to turn the manual water valve back on.



### Replacing the Drip Tube

Occasionally, you may need to replace your drip tube if it becomes filled with debris or you can't get water consistently out of it.

1. Turn off the manual water valve.
2. Slide the drip tube out of the 6 clamps (N) .
3. Pull the drip tube off of the tubing at the tee ( R).
4. Replace by following the above steps in reverse.





Drain Hose Repl.



Idle Bearing Repl.

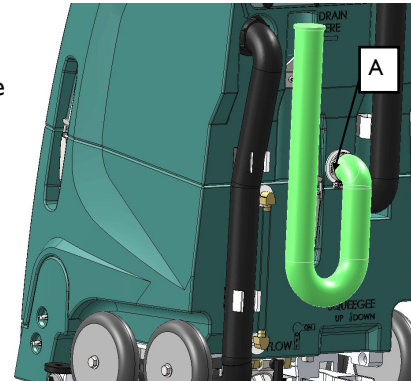


Drive Bearing Repl.

## MAINTENANCE / SERVICE

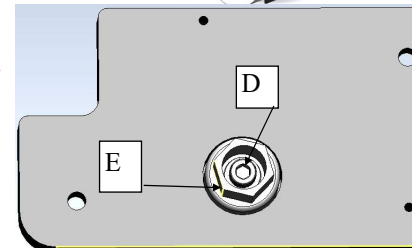
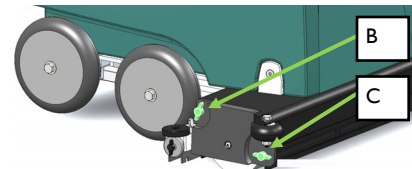
### Drain Hose Replacement

1. Drain the dirty water with the instructions on page 6.
2. Loosen the hose clamp (A) with a nut driver or flat head screw driver and pull off the hose.
3. Replace the hose and tighten the hose clamp.



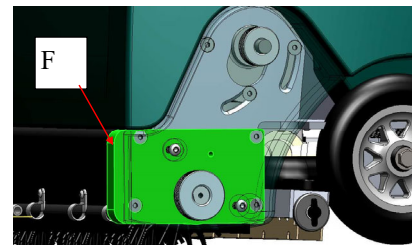
### Idle Bearing Replacement

1. Remove the two thumb screws (B, C) from the idle bearing plate, and remove end plate.
2. Remove the 5/32 Allen screw (D) and pull off the old bearing idle cup.
3. Replace the idle cup / bearing assembly (E).



### Drive Bearing Replacement

1. Follow the instructions on pages 11 and 15 for removing the brush and brush motor.
2. Pull off the bearing plate (F), and replace with a new bearing plate assembly from spectrum.
3. See exploded view on page 31.



Scan this QR code with your smart phone to watch how troubleshoot the water system. You can view all of our Mopit videos on our YouTube channel, spectrummopit.



## TROUBLESHOOTING

---

### **Not Getting Any Water**

1. Make sure the brush and solution switches are both on.
2. Check to make sure the manual water valve (pg. 7) is turned on. Check to make sure there is water in the fresh water tank.
3. Check to make sure you are getting water past the fresh water filter. Pull off the tubing below the filter and open the manual water valve to make sure water comes out.
4. Check to make sure that the solenoid clicks when you turn on the brush motor, and flip the solution switch on and off.
5. Replace the drip tube per instructions on page 17.
6. Call Spectrum for additional troubleshooting.

### **Mopit Batteries Not Charging**

1. Check to make sure that the charger power cord is plugged into the charger and is in good condition and that your power outlet is working. Watch our Mopit battery reset video on YouTube
2. Call Spectrum for troubleshooting. Also see page 16 on charger replacement.

### **Mopit Is Leaving Black Marks**

The most common cause here is not getting water onto the floor. Black marks can also be caused by missing or worn squeegee wheels. See above for how to fix water issues and page 9 for squeegee replacement.

### **Mopit Machine Smells When I Use It**

The Mopit will stink when the recovery tank is not cleaned out regularly. See page 13 for how to clean the tank.

### **Mopit Machine Is Shocking Me When In Use**

Static shocks happen when no water is getting to the floor. The static electricity from the spinning brush causes the static shock. To fix this issue, follow instructions on page 19 for not getting any water.

Scan this QR code with your smart phone to watch how to troubleshoot the charging system. You can view all of our Mopit videos on our YouTube channel, spectrummopit.



## TROUBLESHOOTING

---

### **Mopit Machine Leaks When Not In Use**

The most common cause for this is a faulty solenoid. Until we can get you a new solenoid, simply turn off the manual water valve with instructions on page 7 when the Mopit is not in use. Also see solenoid replacement on page 17. The leak may also be coming from a drain hose that has a hole in it.

### **Mopit Not Cleaning Well**

Several factors determine how well the Mopit will clean.

1. **Water:** use hot water for best cleaning. If no water is getting on the floor or the water delivery is uneven, the cleaning performance will be poor. See page 19 for 'Not Getting Any Water' to make sure water delivery is working
2. **Brush Pressure:** see 'Adjusting and Checking Brush Pressure' on page 10.
3. **Suction and water recovery:** If your machine is not sucking up the water well, see page 21 for help. You can also lift the squeegee to double scrub very dirty areas see page 7 for instructions on lifting and lowering with the squeegee pedal.
4. **Battery Charge:** If your battery is weak you won't have much suction or scrubbing power. See page 6 and page 19 regarding battery charging.
5. For more help call Spectrum at 1-800-290-2833.

Scan this QR code with your smart phone to watch how to troubleshoot the suction system. You can view all of our Mopit videos on our YouTube channel, spectrummopit.

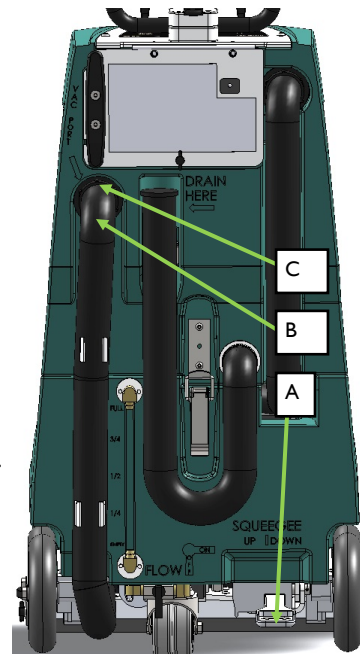


## TROUBLESHOOTING

### My Mopit Is Not Picking Up Water

If the Mopit is not picking up water, there is an issue with the water recovery system. Here are the things to check:

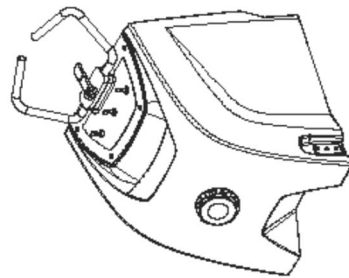
1. Check the squeegee blades for wear and replace if necessary (pg. 9).
2. Make sure the squeegee lift (A) is in the down position (pg. 7).
3. Make sure the drain hose cap is screwed on tightly.
4. Make sure the Squeegee hose is firmly inserted into the hose receiver (B).
5. Check the vacuum tube for obstructions.
6. Flush water down the squeegee hose (C) to clear any clogs, lots of water should come out of the squeegee bar during the flushing.
7. Make sure the dirty water tank clean out cap is on (pg. 13).
8. Make sure the dirty water tank is empty.
9. Check the vacuum filter/shut off inside the dirty water tank to make sure that its clean, if dirty spray it off as shown in (pg. 13).
10. Turn on the vacuum switch and feel the squeegee hole for suction.
11. Make sure the squeegee hole is clear.
12. Make sure both squeegee white wheels are on and are not worn. The wheels should be replaced each time the squeegee is replaced. They are included in each squeegee replacement kit.



# MOPIT MAX PARTS DIAGRAM

ITEM NO.	PART NUMBER	DESCRIPTION	QTY.
1	5051_01.BTRY_CHGR	BATTERY CHARGER	1
2	FLAMBEAU_080075	FLAMBEAU FLUIDS CAP	1
3	5074_01.SPN_WLD_FING	1-1/2 NPT SPIN WELD FITTING	2
4	5068_01.DRN_HS_SFN_WLD	DRAIN HOSE SPIN WELD	1
5	7012_01.CHGR_PLT		1
6	4147_01.SWICH	SWITCH	3
7	5214_03.HNDL_CLMP_B	HANDLE CLAMP	1
8	5056_01.HNDL_BR_LTCH	HANDLE QUICK RELEASE	1
9	5081_02.CHGR_BRKT	CHARGER BRACKET	1
10	7023_01.DRN_HS	DRAIN HOSE	1
11	4152_01.CRD_WRP	CORD WRAP	1
12	5062_01.GRMMT	GROMMET	1
13	7007_01.TP_TNK		1
14	7010_02.DASH		1
15	5213_02.HNDL_CLMP_T	HANDLE CLAMP	1
16	7022_01.DSH_HNG		1
17	7024_01.CTCH_PLT	CATCH PLATE	3
18	mm6046_01.J_HOOK		1
19	5046_01.SCRW	10-24 HEX HEAD SCREW	14
20	5004_01.THROD_INSRT	10-32 THREADED INSERT	12
21	7011_01.DASH_STCR		1
22	4139_01.THROD_INSRT	THREADED INSERT, 1/4-20 UNC	4
23	4171_SCRW	1/4 - 20 X 5/8 BUTTON HEAD	4
24	91185A891		1
25	5084_01.ADPTR	1-1/2 NPT ADAPTER	2
26	5085_01.PIPE	1-1/2 ABS PIPE, 9 IN	2
27	5087_01.ELBW_ADPTR	1-1/2 NPT 90 DEGREE ADAPTER	1
28	5088_01.VCM_HS_PLG	VACUUM HOSE PLUG	1
29	5086_01.ELBW	1-1/2 NPT 45 DEGREE ELBOW	1
30	5067_01.HS_CLMP	WORM DRIVE HOSE CLAMP	1

THE INFORMATION CONTAINED IN THIS DRAWING IS THE SOLE PROPERTY OF SPECTRUM INDUSTRIAL PRODUCTS & POWERED. ALL RIGHTS RESERVED. © 2008



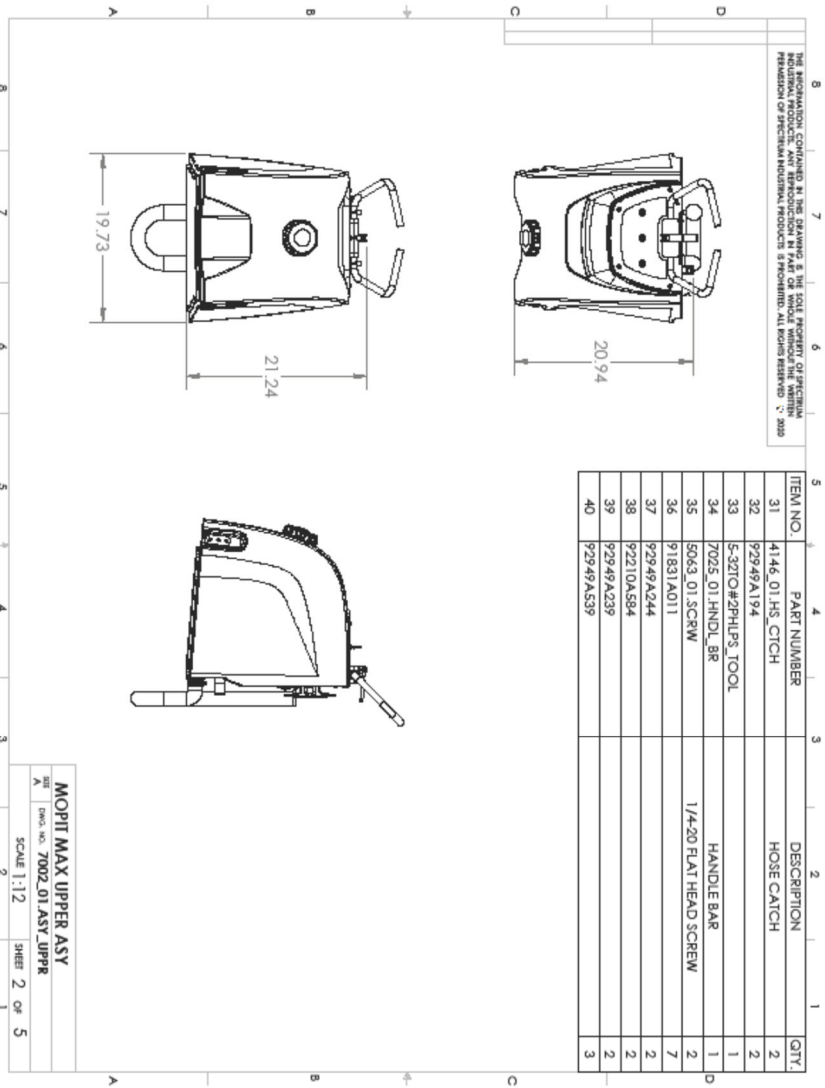
NOTES:  
 1. INTERFERE WITH ASSEMBLY IN 4.4.2008. THIS DRAWING IS NOT TO BE USED WITH MODEL OF THE SAME NAME FOR COMPLETE PRODUCT IDENTIFICATION



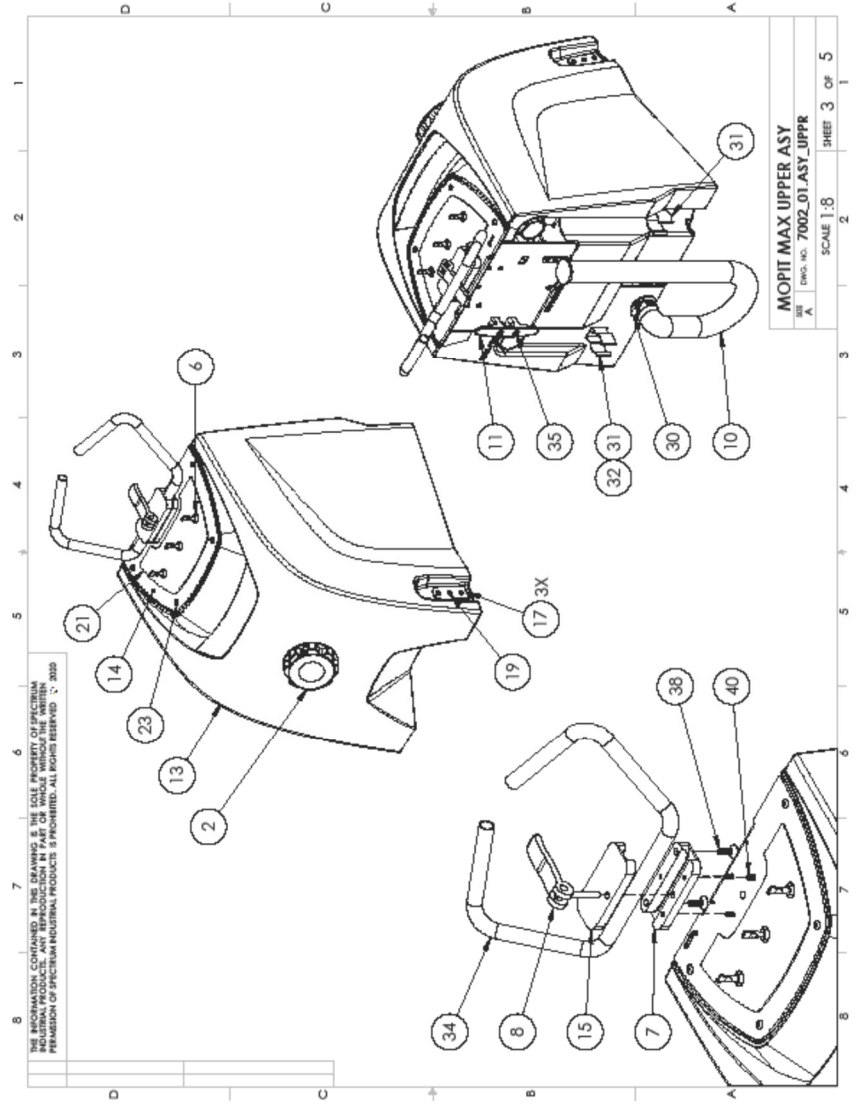
UNLESS OTHERWISE SPECIFIED	APPROVALS	DATE
ALL DIMENSIONS ARE IN INCHES	DESIGN	6/8/2001
UNLESS OTHERWISE SPECIFIED	TESTING	6/8/2001
ALL DIMENSIONS ARE IN INCHES	PRODUCTION	6/8/2001
UNLESS OTHERWISE SPECIFIED	COLLIER LEWIS	6/8/2001
UNLESS OTHERWISE SPECIFIED	REG. COLLIER LEWIS	6/8/2001

7002\_01.ASY\_UPPER  
 MOPIT MAX UPPER ASY  
 DRAWING NO. 7002\_01.ASY\_UPPER  
 SHEET 1 OF 5  
 SCALE 1:10

# MOPIT MAX PARTS DIAGRAM

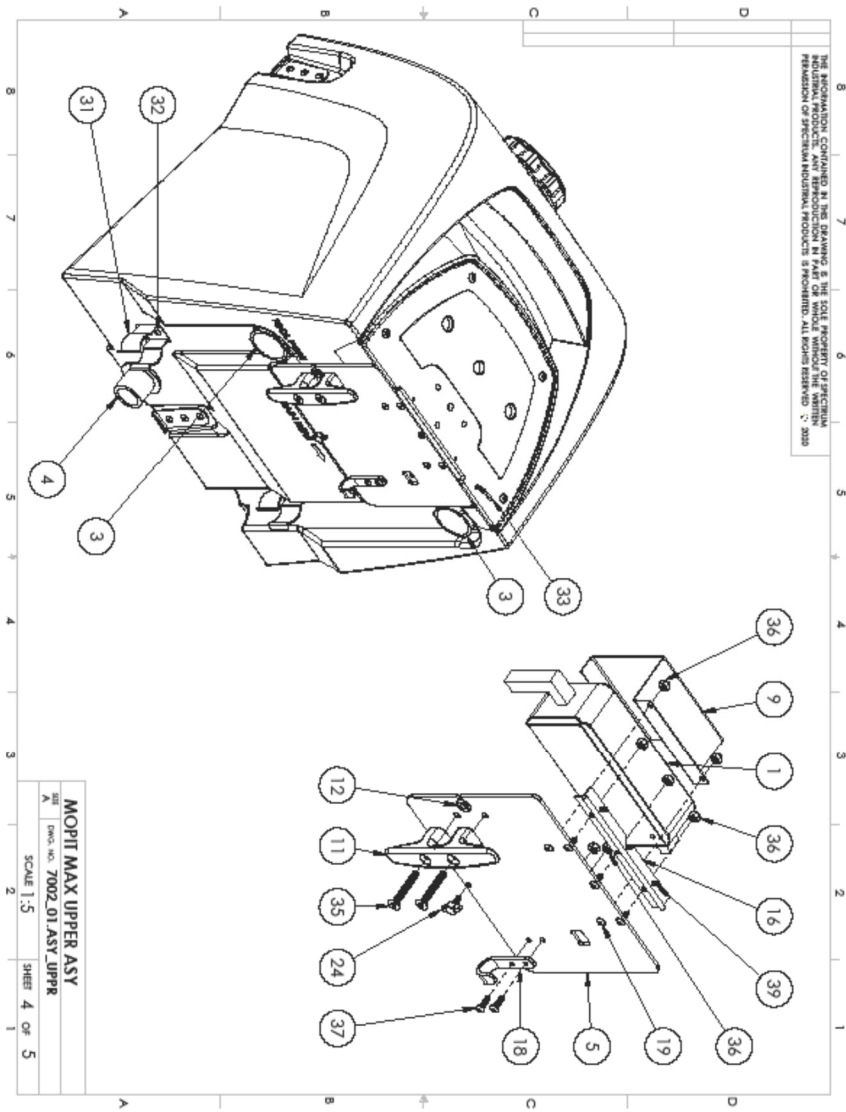


# MOPIT MAX PARTS DIAGRAM

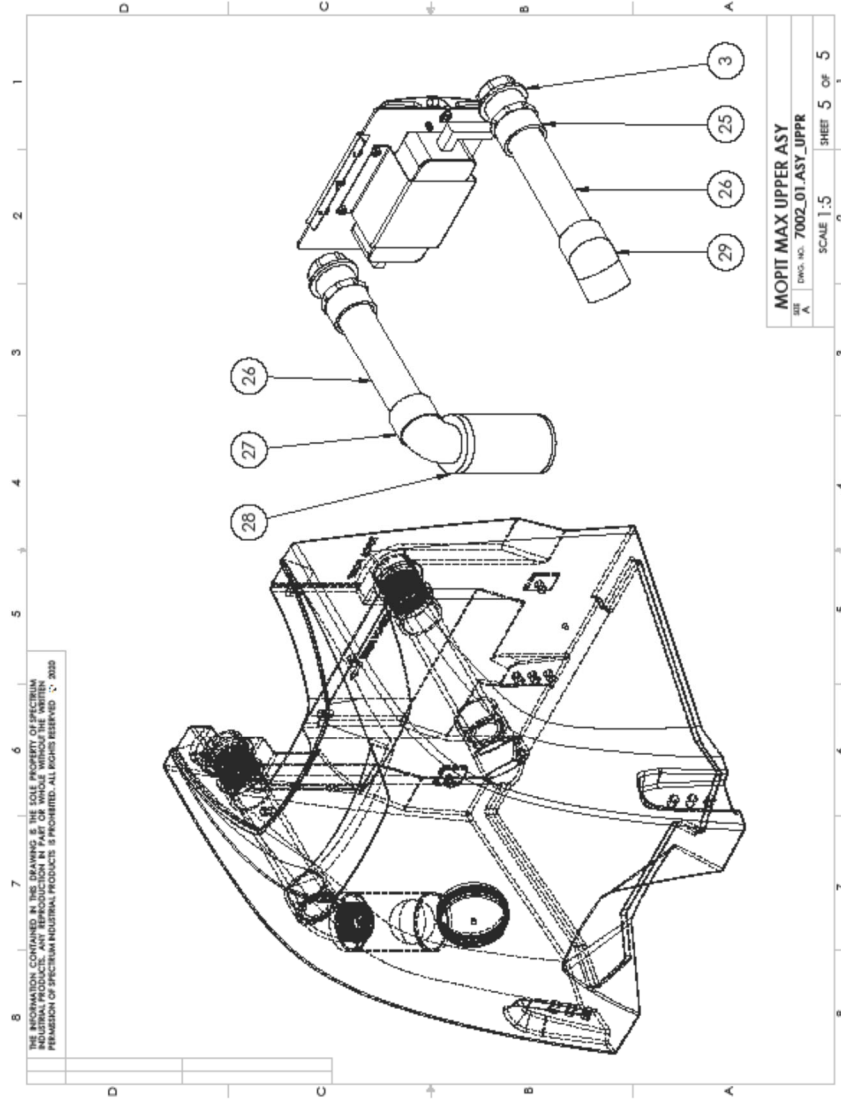




# MOPIT MAX PARTS DIAGRAM



# MOPIT MAX PARTS DIAGRAM



# MOPIT MAX PARTS DIAGRAM

**NOTES:**  
1. INTERPRET PER ASME Y14.41-2003. THIS DRAWING SHALL BE USED WITH MODEL OF THE SAME NAME FOR COMPLETE PRODUCT DEFINITION.

**THE INFORMATION CONTAINED IN THE DRAWING IS THE SOLE PROPERTY OF SPELTRUM INDUSTRIAL PRODUCTS. ANY REPRODUCTION IN PART OR WHOLE WITHOUT THE WRITTEN PERMISSION OF SPELTRUM INDUSTRIAL PRODUCTS IS PROHIBITED. ALL RIGHTS RESERVED. © 2023**

ITEM NO.	PART NUMBER	DESCRIPTION	QTY.
1	7003_01.BSP.LT	BASE PLATE	1
2	7006_01.BTM_TNK		1
3	5206_03.IS_BRNG_PLT	IDLE BEARING PLATE	1
4	92210A339	FREE SIDE BRUSH MOUNT	24
5	5212_01.LBRNTH_IS		1
6	2349K781		1
7	7005_01.BRSB_MAX	SQUEEGEE	1
8	7026_01.SQCG_BLD	DRIVE BEARING PLATE	2
9	5205_02_DS_BRNG_PLT	LARGE PULLEY	1
10	5207_01.LRG_PLY	DRIVE SIDE HEX SHAFT (LONG)	1
11	5209_01.HX_SHFT		1
12	7027_01.DFLCTN_WHL	SMALL PULLEY	1
13	7021_01.SML_PLY_MAX	BRUSH MOTOR	1
14	7020_01.MOTOR		1
15	7017_01.MTR_PLT	TRANSPORT WHEEL MOUNT	2
16	4027_05.TRNSPRT_WHL_MNT		4
17	7009_01.WHEEL	WHEEL ADJUSTOR MOUNT MOD	2
18	4155_01.WHL_ADJSTR_MNT_B	WHEEL ADJUSTOR SLIDE	2
19	4156_01.WHL_ADJSTR_SID	SQUEEGEE PEDAL	1
20	5022_02.SQCG_LVR		1
21	92390A405		1
22	7015_03.SQCG	WASHER 3/8 X 0.05	4
23	4182_WSHR	SQUEEGEE BAR WHEEL	2
24	4161_01.SQCG_IP_WHL	1/4-20 SHOULDR BOLT	2
25	5024_01.SHLDR_BLT	DEFLECTOR WHEEL	2
26	4174_01.SQCG_BR_DFLCTR_WHL		1
27	7014_02.SQCG_INSR	BOLT 3/8 - 16 X 2	4
28	4183_SCRW	UPPER SQUEEGEE BRACKET	1
29	7019_01.SQCG_BRKT_UPPER		1

**UNLESS OTHERWISE SPECIFIED DIMENSIONS ARE IN INCHES**

**FINISH:**  
ALL SURFACES SHALL BE FINISHED TO THE FOLLOWING STANDARDS:  
MILL: SEE DIM  
WELD: N/A

**DO NOT SCALE DRAWING**

**APPROVALS:**

<b>DESIGNED BY:</b> J. WISNIAK	<b>CHECKED BY:</b> J. WISNIAK	<b>DATE:</b> 7/19/2021
<b>DESIGNED BY:</b> J. WISNIAK	<b>CHECKED BY:</b> J. WISNIAK	<b>DATE:</b> 7/19/21
<b>DESIGNED BY:</b> J. WISNIAK	<b>CHECKED BY:</b> J. WISNIAK	<b>DATE:</b> 7/19/21
<b>DESIGNED BY:</b> J. WISNIAK	<b>CHECKED BY:</b> J. WISNIAK	<b>DATE:</b> 7/19/21

**DATE:** 7/19/2021

**BY:** J. WISNIAK

**REV:** 7001\_03\_ASY\_BASE

**SCALE:** 1:10

**SHEET:** 1 OF 9

# MOPIT MAX PARTS DIAGRAM

THE INFORMATION CONTAINED IN THIS DRAWING IS THE SOLE PROPERTY OF SPECTRUM ENERGY SERVICES, INC. NO PART OF THIS DRAWING IS TO BE REPRODUCED OR TRANSMITTED IN ANY FORM OR BY ANY MEANS, ELECTRONIC OR MECHANICAL, WITHOUT PERMISSION OF SPECTRUM INDUSTRIAL PRODUCTS IS PROHIBITED. ALL RIGHTS RESERVED. © 2020

ITEM NO.	PART NUMBER	DESCRIPTION	QTY.
30	7018.01.SQG_BRKT_LWR	LOWER SQUEEGEE BRACKET	1
31	5031.01.WSHR	WASHER 1/2 X 0.08	2
32	5019.01.SQG_STP	SQUEEGEE STOP	1
33	7013.02.SQG_BR	SQUEEGEE BAR	1
34	4150.01.HS_RCVR	VACCUUM HOSE RECIEVER	1
35	5041.01.NYLN_SPCR	UNTHREADED NYLON SPACER	2
36	5029.01.THMB_SCRW	PLASTIC THUMB SCREW, 10-32	2
37	5030.01.SLND	SOLENOID	1
38	4178.SCRW	SCREW BUTTON HEAD	2
39	4179.SPCR	SPACER	2
40	4133.01.FLTR_ASSY	FILTER ASSEMBLY	1
41	4188.SCRW	SCREW 10-24 X 1 BUTTON HEAD	2
42	4186.SCRW	SCREW 1/4-20 X 1/2 BUTTON HEAD	4
43	4146.01.HS_CTCH	HOSE CATCH	2
44	5033.01.DWL_PN	1/8 X 1-1/4 DOWEL PIN	2
45	4174.SCRW	SCREW 3/8 - 16 X 1 3/8	1
46	4173.NUT	3/8 - 16 NUT	1
47	92949A238		2
48	5034.01.WNG_NT	5/16-18 STEEL WING NUT	1
49	5035.01.FLTR_CLAMP	FILTER CLAMP	1
50	5005.03.VCM_MNT	VACUUM MOUNT	1
51	5043.01.SPCR	UNTHREADED ALUMINIUM SPACER	3
52	5018.01.WNG_NT	1/4-20 WING NUT	3
53	5042.01.THROD_RD	1/4-20 X 4 THREADED ROD	3
54	5036.01.VCM_MTR	VACUUM MOTOR	1
55	5040.01.LCK_WSHR	SPLIT LOCK WASHER	1
56	5046.01.SCRW	10-24 X 1/2 HEX HEAD SCREW	3
57	5039.01.SPCR	UNTHREADED ALUMINIUM SPACER	1
58	5047.01.PCMN_WSHR	FACMAN WASHER	1
59	4139.01.THROD_INSR	THREADED INSERT, 1/4-20 UNC	10
60	4184.01.SQG_SPRNG	SQUEEGEE BAR SPRING	1
61	5048.01.WSHR	WASHER 3/8 X 0.1	3
62	5049.01.SCRW	10-24 X 3/4 HEX HEAD SCREW	1
63	FL_GGE_TB_00AB	FLL GAGE TUBE	1
64	7028.01.VCM_HS	VACUUM HOSE	1
65	7029.01.SQG_HS	SQUEEGEE HOSE	1

**MOPIT MAX BASE ASY**  
 SHEET 2 OF 9  
 SCALE 1:12  
 DWG. NO. 7001\_03.ASY\_BASE

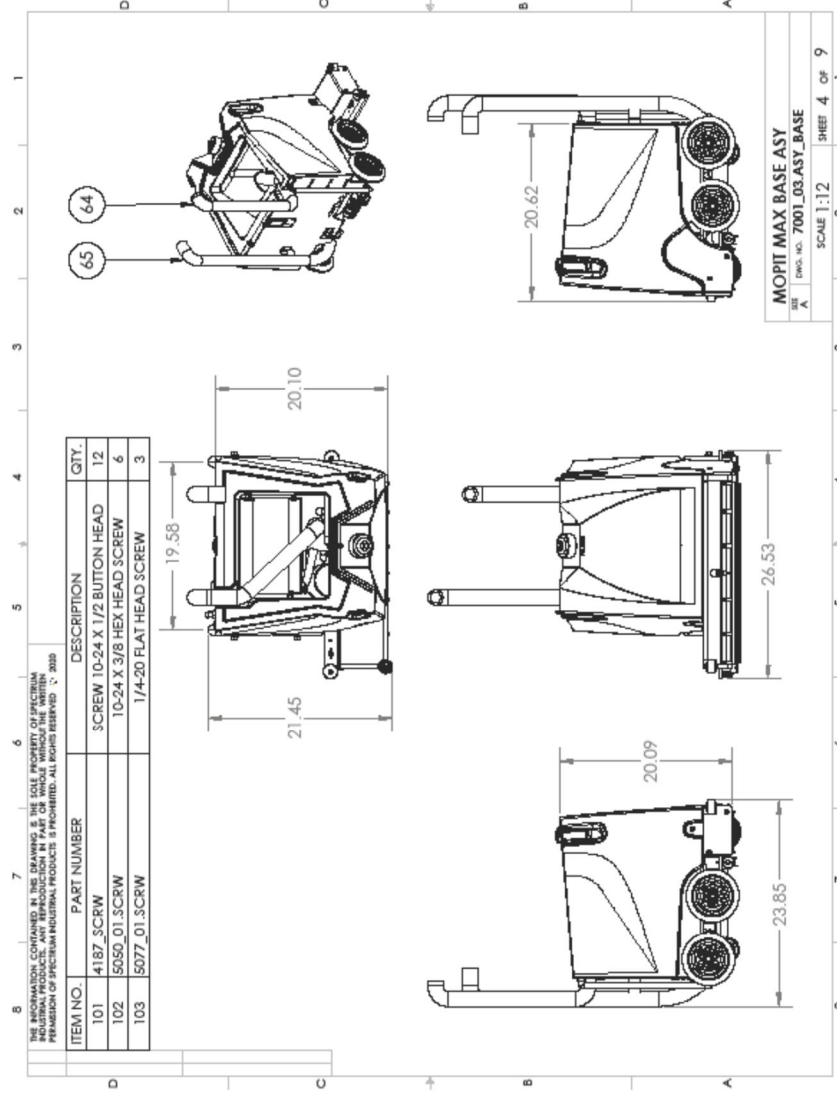
# MOPIT MAX PARTS DIAGRAM

THE INFORMATION CONTAINED IN THIS DRAWING IS THE SOLE PROPERTY OF FACILITY MANAGEMENT SERVICES. NO PART OF THIS DRAWING IS TO BE REPRODUCED OR TRANSMITTED IN ANY FORM OR BY ANY MEANS, ELECTRONIC OR MECHANICAL, INCLUDING PHOTOCOPYING, RECORDING, OR BY ANY INFORMATION STORAGE AND RETRIEVAL SYSTEM. WITHOUT THE WRITTEN PERMISSION OF FACILITY MANAGEMENT SERVICES. © 2008

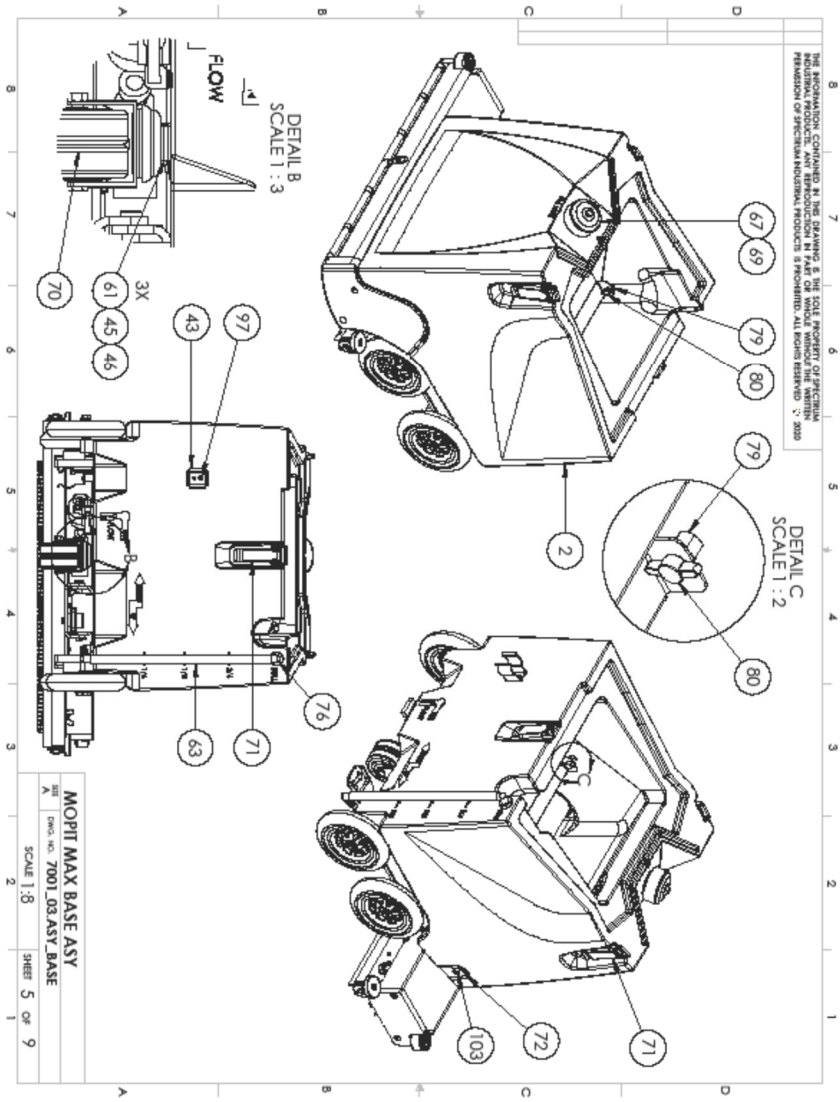
ITEM NO.	PART NUMBER	DESCRIPTION	QTY.
66	5075_01_SCRW	1/4-20 SOCKET HEAD SCREW	2
67	5079_01_FLU_CP	FLU CAP	1
68	24V504M_BTRTY		1
69	468908_STRNR	CASTOR	1
70	4144_01_CSTR	LATCH	1
71	5058_01_LTCH	STIFFENER	3
72	5076_01_STFFNR		1
73	7004_04BRSH_HD_MX		1
74	92949A192		6
75	887541		6
76	537K325		2
77	7030_01_BTRY_BRKT		2
78	537K323		1
79	91075A913		4
80	91185A915		4
81	92391A165		1
82	90298A585	18-8 Stainless Steel Shoulder Screw	1
83	7008_02_PLY_CVR		1
84	92196A535	18-8 Stainless Steel Socket Head Screw	1
85	90313A203		1
86	7016_01_1-2NPT_INSR	THREADED INSERT, 1/4-20 UNC	2
87	6516726		2
88	mm6052_01_1-4NPT_INSR	THREADED INSERT, 1/4-20 UNC	1
89	53525K17		1
90	50789K123		1
91	1-4NPT_VALVE	VALVE	1
92	537K615		1
93	4172_SCRW	1/4-20 X 3/4	5
94	5211_01_LBRNH_DS		1
95	5972K44		1
96	5004_01_THRBD_INSR	10-32 THREADED INSERT	10
97	92949A194	SCREW	1
98	5094_01_SCRW		2
99	5094_01_SCRW		4
100	92210A542	1/4-20 X 1-1/2 FLAT HEAD SCREW	2

MOPIT MAX BASE ASY  
 DWG NO: 7001\_03\_ASY\_BASE  
 SCALE 1:12  
 SHEET 3 OF 9

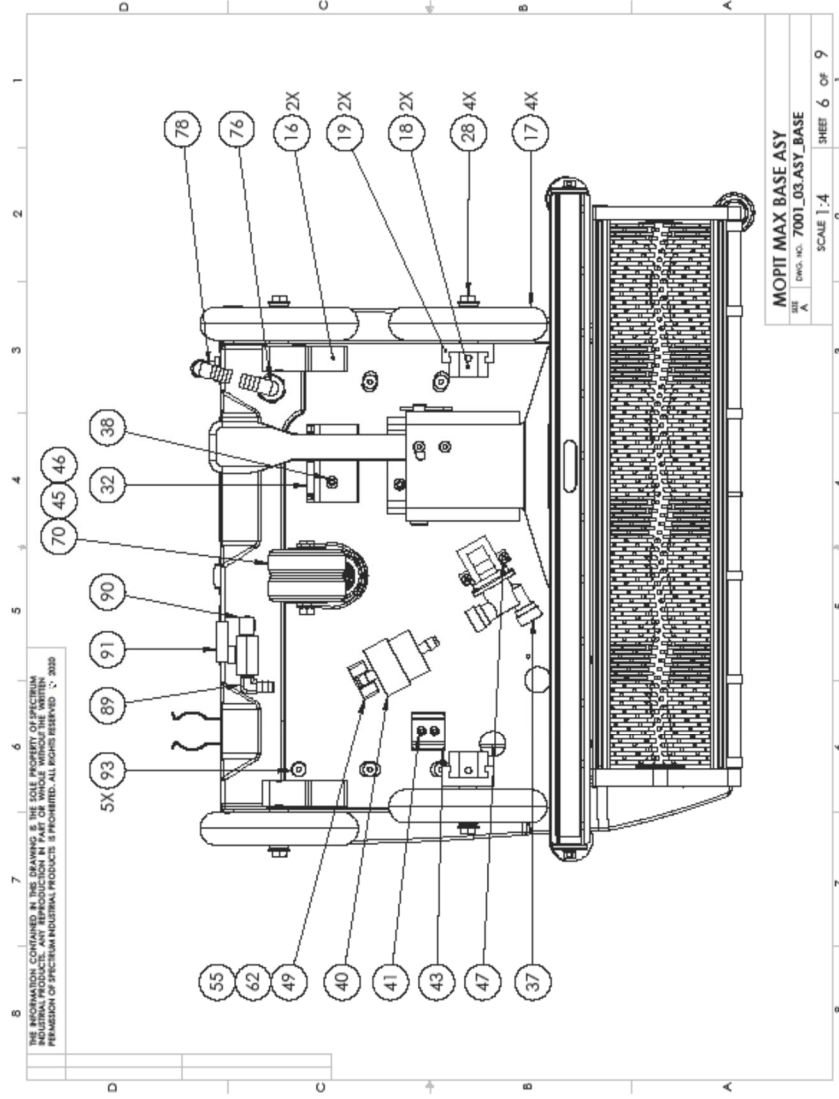
# MOPIT MAX PARTS DIAGRAM



# MOPIT MAX PARTS DIAGRAM

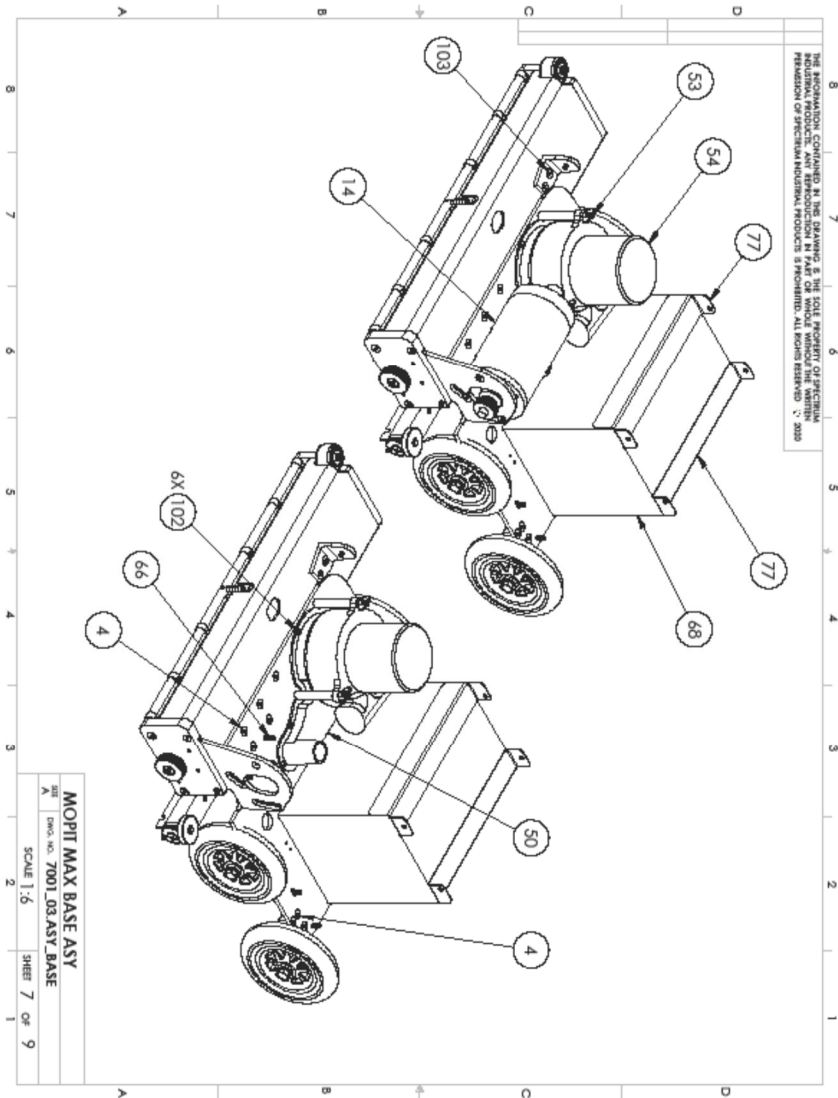


# MOPIT MAX PARTS DIAGRAM

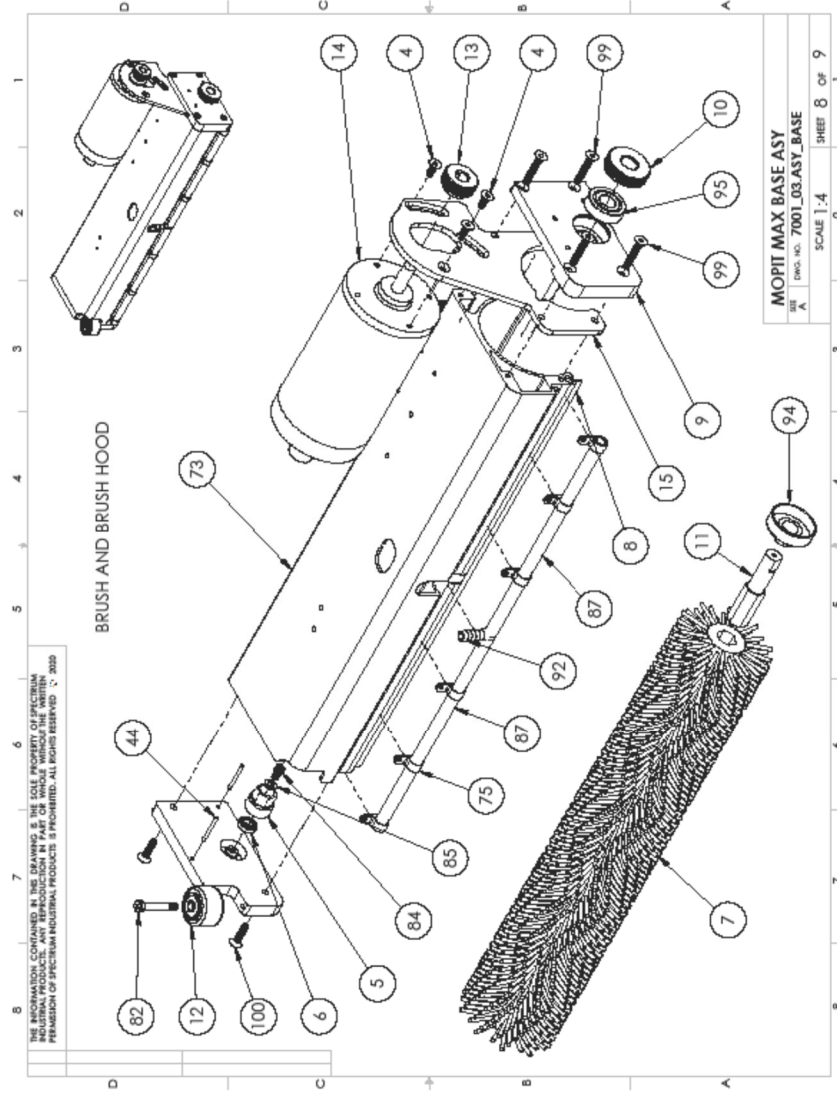




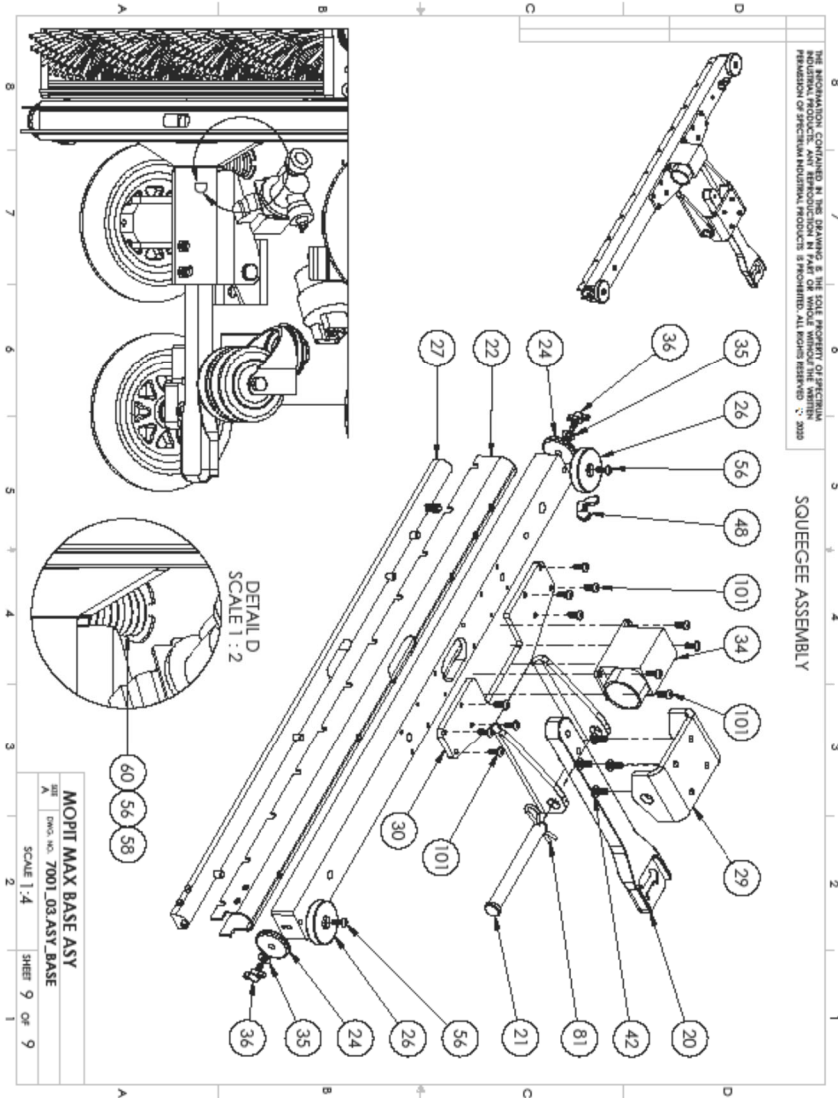
# MOPIT MAX PARTS DIAGRAM



# MOPIT MAX PARTS DIAGRAM



# MOPIT MAX PARTS DIAGRAM





## MOPIT MAX SPECIFICATIONS

---

Cleaning Path	21 Inches
Fresh Water Capacity	9 Gallons
Dirty Water Capacity	12.5 Gallons
Solution Flow Rate	.231 Max Gallons Per Minute
Scrub Brush Speed	1250 RPM
Brush Size	21" long 4" in Diameter
Vacuum Motor	24 Volt 2 Stage, 44" Water Lift Sealed
Run Time per Charge	Approx 105 Minutes
Charger	On-board 24V 7 Amp
Weight	131 lbs (dry weight)
Length	27 inches w/handle in working position 23.5 inches with handle folded
Height	44 inches w/handle in working position 40.25 inches with handle folded
Width	26.5 Inches







The perfect tool, in every size you need.



Spectrum Industrial Products LLC  
868 West 400 North  
Logan, Utah 84321  
Phone: 1-800-290-2833  
Email: [mopit@mopit.com](mailto:mopit@mopit.com)  
Web: [www.mopit.com](http://www.mopit.com)