

SPECTRUM

• *Spectrum Industrial Products* •

Mopit 5

Operator's / Service Manual





To view Mopit 4 instructional videos scan this qr code with your smart phone. You can also find Mopit 4 instructional videos on the Mopit channel at www.youtube.com

Table of Contents

| | |
|--------------------------------------|-------|
| BASIC OPERATION..... | 4-7 |
| Mopit safety information..... | 4 |
| Filling the fresh water tank..... | 4 |
| Using Mopit cleaning solution..... | 4 |
| Mopit switches..... | 5 |
| Handle bar adjustment..... | 5 |
| Water level gauge..... | 5 |
| Draining the dirty water..... | 6 |
| Charging the Mopit..... | 6 |
| Water valve..... | 7 |
| Transporting the Mopit..... | 7 |
| Squeegee lift pedal..... | 7 |
| MAINTENANCE / MOPIT SERVICE | |
| Draining the fresh water tank..... | 6 |
| Cleaning the water filter..... | 8 |
| Squeegee replacement..... | 9 |
| Brush pressure adjustment..... | 10 |
| Belt replacement and tensioning..... | 11 |
| Brush replacement..... | 12 |
| Cleaning the recovery tank..... | 13 |
| Battery pack replacement..... | 14 |
| Brush motor replacement..... | 15 |
| Battery charger replacement..... | 16 |
| Vacuum motor replacement..... | 16 |
| Water solenoid replacement..... | 17 |
| Water drip tube replacement..... | 17 |
| Drain hose replacement..... | 18 |
| Idle bearing replacement..... | 18 |
| Drive bearing replacement..... | 18 |
| TROUBLESHOOTING | |
| Not getting any water..... | 19 |
| Batteries not charging..... | 19 |
| Mopit is leaving black marks..... | 19 |
| Mopit smells when I use it..... | 19 |
| Mopit shocks me when in use..... | 19 |
| Mopit leaks when not in use..... | 20 |
| Mopit not cleaning well..... | 20 |
| Mopit is not picking up water..... | 21 |
| Mopit parts diagram..... | 22-34 |
| SPECIFICATIONS | |
| Mopit specifications..... | 35 |



Scan this QR code with your smart phone to watch the Mopit 5 training video. You can view all of our Mopit movies on the “Mopit Channel” at www.youtube.com.

BASIC OPERATION

WARNING!!!!

- Do Not Use or Pick Up Flammable Materials with the Mopit.
- Do Not Use Mopit Near Flammable Liquids or Vapors.
- Disconnect Battery Cables and Charger Cord Before Servicing.
- Do Not Use or Store Outdoors.
- Do Not Use Bleach in the Mopit

Before using the Mopit 5 you need to fill it with water and cleaning solution.

Filling The Fresh Water Tank

This is where you fill the Mopit with water. It is best to add the cleaning solution after you have filled the tank with water. It is **ok** to let water stay in the fresh water tank for an extended period of time.

Using Mopit Cleaning Solution

Mopit cleaning solution is very concentrated. It only takes one ounce of solution per Mopit tank for normal cleaning. For greasy floors you can use 2-3 ounces of solution per Mopit fill.

The fresh water tank cap is a one ounce measuring cup, you can also order a one ounce per pump dispenser by calling us at 1-800-290-2833



Scan this QR code with your smart phone to watch the handle bar adjustment video. You can view all of our Mopit movies on the “Mopit Channel” at www.youtube.com.



BASIC OPERATION

The Mopit Has 3 Switches

The Vacuum Switch

The Solution Switch

The Brush Switch

Simply turn on all three switches and walk. The water switch will work only when both the brush and water switches are on.

When operating the Mopit you may walk

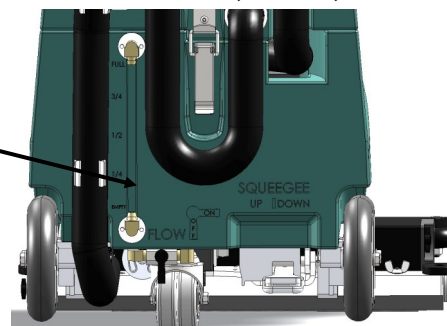
at a normal pace. If there is a really dirty area, cleaning performance is increased by pushing the Mopit slower.

Handle Bar Adjustment

To adjust the handle bar height simply lift up the handle bar quick release lever, adjust the handle, and then push the quick release lever back down. If the quick release lever ever needs to be adjusted adjust the two allen screws instead of twisting the handle.

Water Level Gauge

This is the water level gauge. The fresh water tank holds 4.75 gallons of water. The recovery tank holds 7 gallons of water.



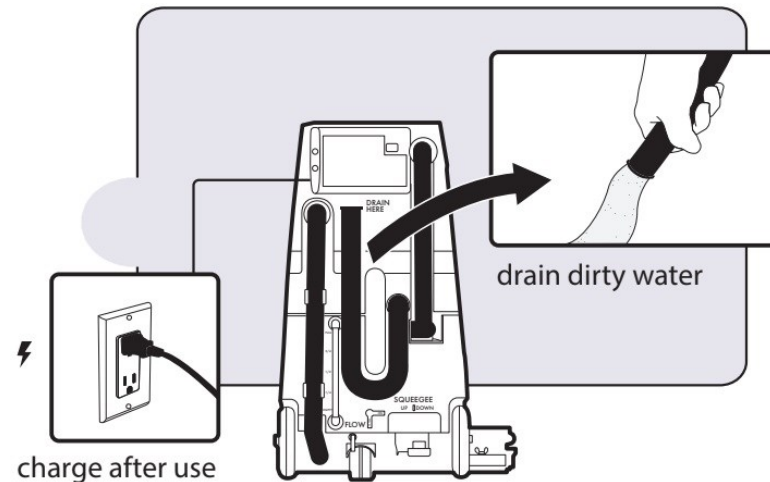
BASIC OPERATION

Draining The Dirty Water

It is important to drain the dirty water tank after each use. If dirty water sits in your dirty water tank for an extended period of time, your machine will start to stink. Simply remove the drain hose cap and let the drain hose down onto a floor drain. After draining, be sure to put the cap on tightly. If the cap is not screwed on tight the machine will lose suction power.

Charging The Mopit

The Mopit is battery operated. Keep the Mopit plugged in whenever it is not being used. You do **not** need to wait until the batteries are fully charged to use the Mopit. You do **not** need to run the batteries down before you can charge the Mopit. To charge the Mopit plug the Battery charger into the wall. The on-board charger has one indicator light. The light will be red or amber when it is charging and green when fully charged.



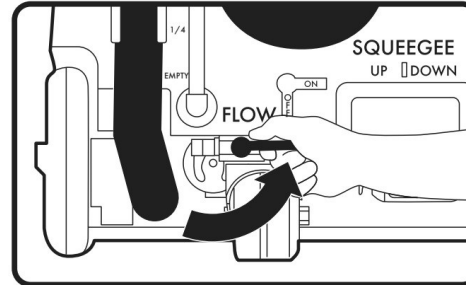
BASIC OPERATION

Water Valve

The water control valve controls how much water goes onto the floor.

The water valve is full **on** when the black valve handle is horizontal, and full **off** when the handle is vertical.

To lower water output, position the valve between full on and full off. Before cleaning the water filter you should turn the water valve off.

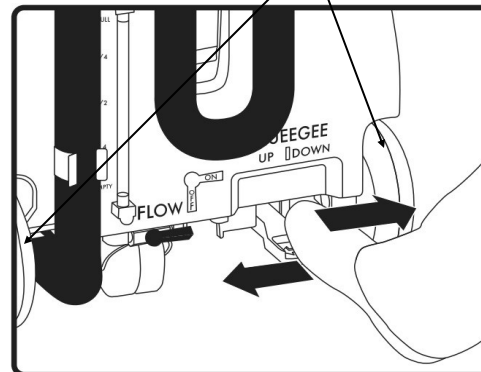


Transporting The Mopit

When moving the Mopit, tip it on its back transport wheels and move it like an upright floor vacuum.

Squeegee Lift Pedal

The squeegee lift pedal is used for deep cleaning. It allows you to make multiple scrubbing passes without picking up the water on the floor. This is called double scrubbing. To lift the squeegee, push the pedal down and slide it to the left. To drop the squeegee, push the pedal down and slide it to the right.



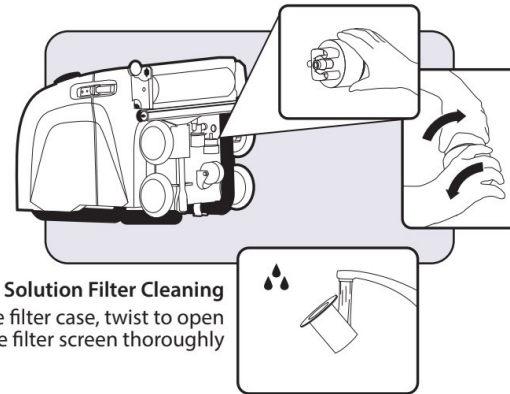


Scan this QR code with your smart phone to watch the Mopit water filter video. You can view all of our Mopit movies on the “Mopit Channel” at www.youtube.com.

MAINTENANCE / SERVICE

Cleaning The Water Filter

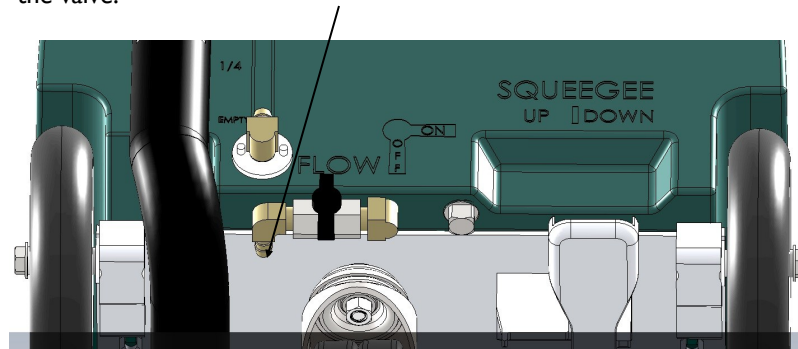
When you are not getting enough water onto the floor, clean the water filter. Before you clean the fresh water filter make sure that the water valve is turned off (see page 7)



Tip the Mopit on its back, pull filter out of its clip, pull off the water lines, twist the filter housing apart and remove and rinse out the filter.

Draining The Fresh Water Tank

Occasionally you may need to drain the fresh water tank. The tank will need to be drained before shipping. There is no harm in leaving water in the fresh water tank for an extended period of time. You will want to have the machine outside or positioned over a floor drain when you drain the tank. Remove the water line from the water valve and open the valve.



MOPIT 5

Page 9

Scan this QR code with your smart phone to watch the Mopit squeegee replacement video. You can view all of our Mopit movies on the “Mopit Channel” at www.youtube.com.

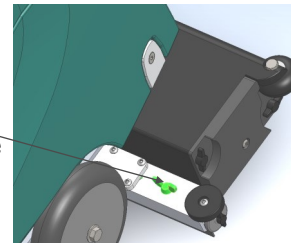


MAINTENANCE / SERVICE

Changing The Squeegee Blade

On average the squeegee blade will need to be changed every 2-6 weeks. If the machine is leaving streaks, and not picking up all of the water, or the Mopit is not cleaning very well, check your squeegee blade for wear.

1. Tip the Mopit on its back
2. Remove squeegee wing nut
3. Pull out the squeegee insert and remove the squeegee blade
4. Place the new squeegee blade over the squeegee insert
5. Hold the squeegee blade over the two side dowel pins and slide the squeegee insert pin into the squeegee bar receiver hole
6. Push the remainder of the squeegee insert into the squeegee bar and replace the wing nut



7. Replace the white squeegee wheels



Scan this QR code with your smart phone to watch how to adjust the brush pressure. You can view all of our Mopit movies on the “Mopit Channel” at www.youtube.com.

MAINTENANCE / SERVICE

Adjusting The Brush Pressure

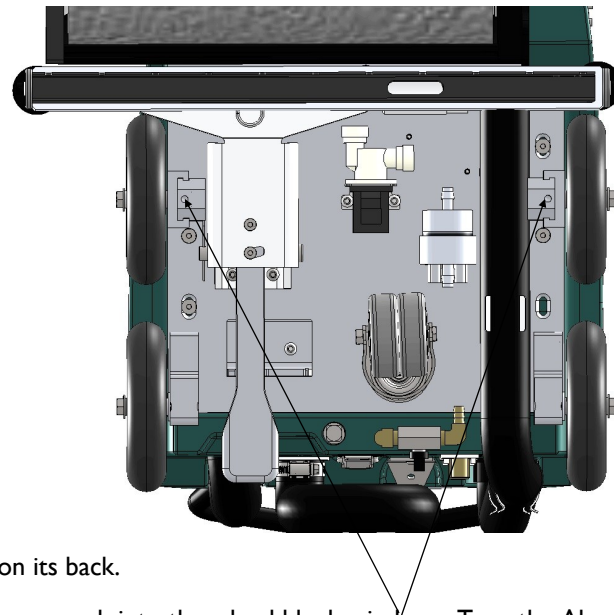
WARNING: Adjusting the brush too low can damage the brush motor and lessen the cleaning performance.

As the scrub brush wears, your brush pressure on the floor will lessen. To compensate for brush wear, adjust the wheels to lower the brush head.

To adjust the brush pressure, tip the machine on its back.

Insert a 5/32 Allen wrench into the wheel block windows. Turn the Allen wrench counterclockwise one complete turn. Adjust both wheels by the same amount.

IMPORTANT: You must adjust each wheel by the same amount. Failure to do so will cause un-even brush wear. If you don't know if the wheels have both been evenly adjusted, turn the screw as far as you can clockwise, then begin again to adjust each wheel counterclockwise by the same amount. It is wise, with each full turn of the screw, to stand the machine back up and check the brush deflection from the side of the machine. **We recommend one inch of brush width touch the floor but only a 1/4 inch of brush depth on the floor.**



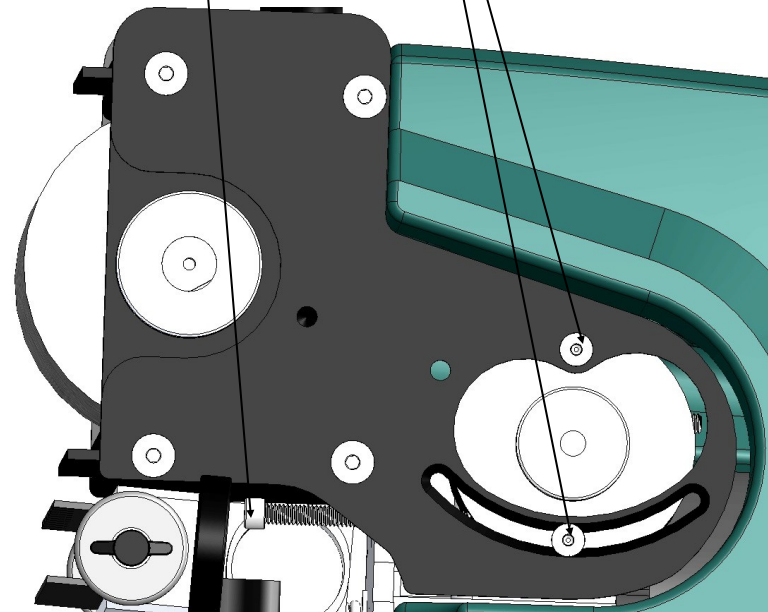
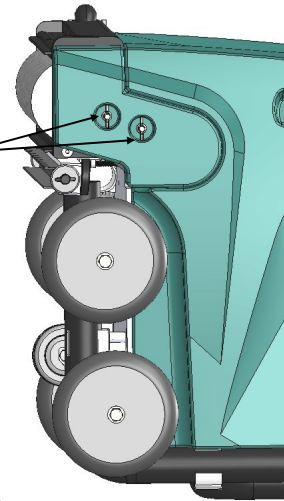
Scan this QR code with your smart phone to watch how replace and tension the belt. You can view all of our Mopit movies on the “Mopit Channel” at www.youtube.com.



MAINTENANCE / SERVICE

Belt Replacement And Tensioning

1. Tip the Mopit on its back
2. Remove belt cover by turning the belt cover thumb screws counter clockwise
3. Loosen these two 1/8" Allen screws.
With a 3/16" Allen wrench twist the belt tensioning screw counter clockwise
4. Remove old belt
5. Installation is the above steps in reverse
6. Tension belt to 3/8" Deflection



Scan this QR code with your smart phone to watch how replace the brush. You can view all of our Mopit movies on the “Mopit Channel” at www.youtube.com.

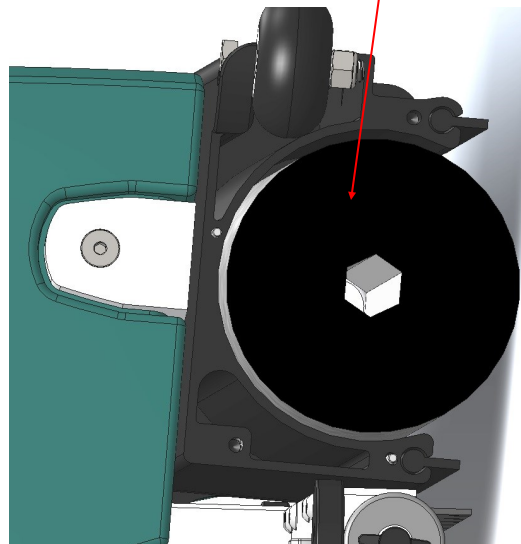
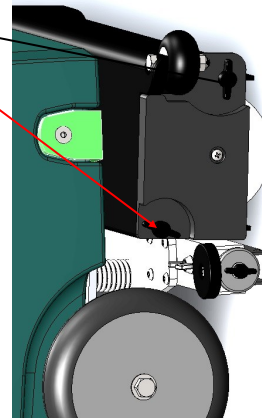


MAINTENANCE / SERVICE

Brush Replacement

The Mopit 5 scrub brush is very durable and should last at least one year. As the brush wears it can be lowered by following the instructions on page 10. For replacement follow the steps below.

1. Remove the two thumb screws on the idle bearing plate by twisting them counter clockwise.
2. Pull off the bearing plate.
3. Pull the old brush out of the hood
4. Installation is the above steps in reverse

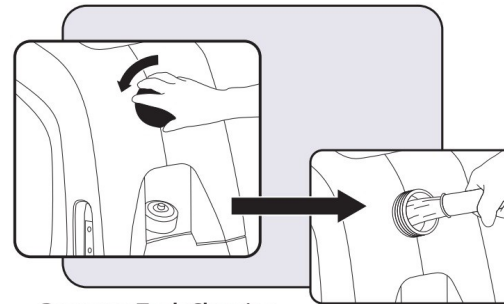


MAINTENANCE / SERVICE

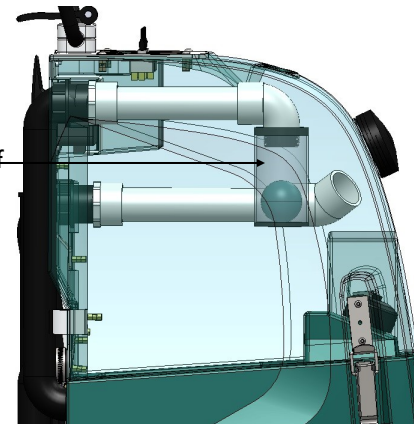
Cleaning The Recovery Tank And Vacuum Ball Basket (filter)

If the recovery tank is not cleaned out regularly the Mopit will begin to stink. To clean, remove the clean out access cap by twisting it counter-clockwise. Open the drain hose and place it over a floor drain. Use a hose with a sprayer to spray out the recovery tank. It may also help to back flush the drain hose. Take special care to spray off the vacuum filter/shut-off valve.

After spraying out the tank, use a trigger sprayer to spray undiluted bleach all over the inside of the recovery tank. Let the tank sit with the clean out cap and drain hose cap off until the inside of the recovery tank is dry. If your machine still has a foul odor order some Mopit deodorizer from Spectrum.



Recovery Tank Cleaning
remove clean out cap
spray clean interior of tank





Scan this QR code with your smart phone to watch how replace the battery. You can view all of our Mopit movies on the “Mopit Channel” at www.youtube.com.

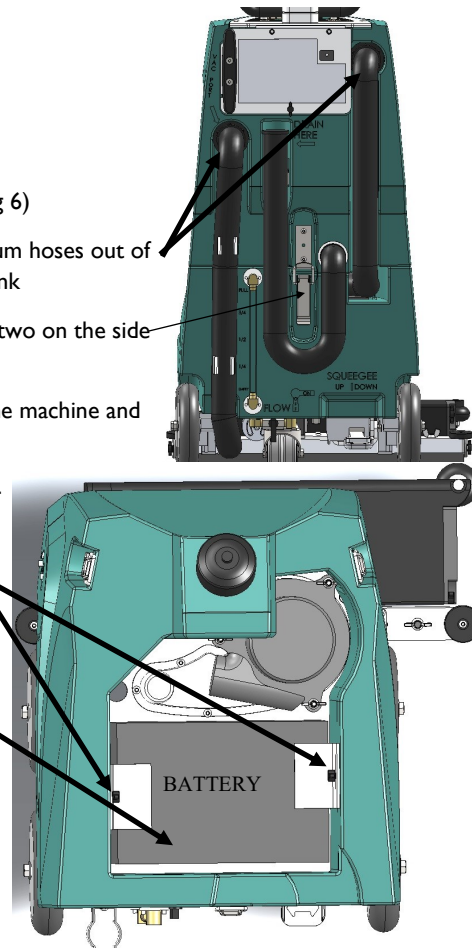
MAINTENANCE / SERVICE

Replacing The Battery Pack

A properly cared for lithium battery pack should last for about 2000 charging cycles.

IMPORTANT: It is critical that the batteries be replaced with 24V LiFePo4 Lithium batteries.

1. Drain the recovery tank (Pg 6)
2. Pull the squeegee and vacuum hoses out of the back of the recovery tank
3. Unlatch the three latches, (two on the side and one on the back.)
4. Lift the recovery tank off the machine and lay it on its side
5. Remove the battery electrical quick disconnect
6. Remove the two thumb screws for the battery mounts
7. Lift out the battery
8. Battery replacement is the above steps in reverse



Scan this QR code with your smart phone to watch how replace the brush motor. You can view all of our Mopit movies on the “Mopit Channel” at www.youtube.com.



MAINTENANCE / SERVICE

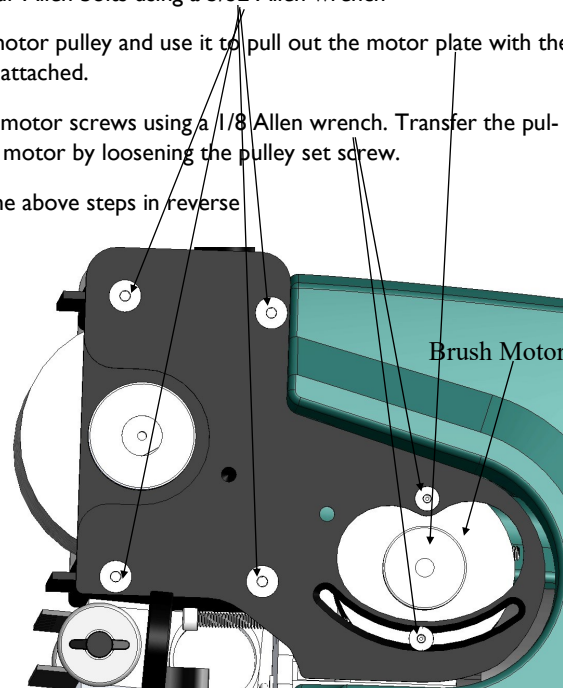
Brush Motor Replacement

On rare occasions the brush motor may need to be replaced. Please call Spectrum at 1-800-290-2833 to troubleshoot and see if your brush motor needs to be replaced. The brush motor is equipped with an automatic thermal circuit breaker. If the brush motor overheats the breaker will trip and will reset again when the motor cools down.

You **do not** need to remove any of the plastic tanks for motor replacement. It is easiest to replace the brush motor with the Mopit on its back.

You will need a 7/16 socket, 5/32, 1/8, and 3/16 Allen wrenches

1. Follow the steps on page 11 to remove the belt
2. Remove these four Allen bolts using a 5/32 Allen wrench
3. Grab the brush motor pulley and use it to pull out the motor plate with the brush motor still attached.
4. Remove the two motor screws using a 1/8 Allen wrench. Transfer the pulley onto the new motor by loosening the pulley set screw.
5. Replacement is the above steps in reverse
6. **HINTS:** Make sure that the motor pulley is touching only the motor shaft, not the motor base. Make sure that you tighten the set screws onto the flat of the motor shaft.





Battery Charger Replacement

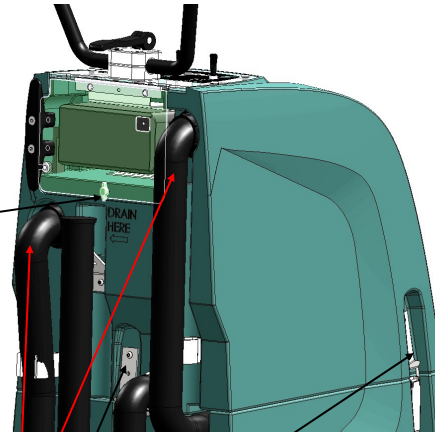


Vac Motor Replacement

MAINTENANCE / SERVICE

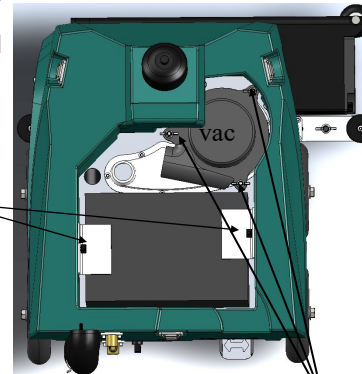
Battery Charger Replacement

If the power light does not come on when plugged in, or if the batteries are not accepting a charge, the charger may need to be replaced. To replace remove the thumb screw, lift the hinged cover, disconnect electrical and pull charger free. Make sure to transfer the power cord gromet to the new charger.



Vacuum Motor Replacement

1. Drain the recovery tank per instructions on page 6.
2. Pull the Vacuum and Squeegee hose out of the back of the recovery tank
3. Unlatch the three tank latches and lift the recovery tank off
4. Disconnect the battery electrical quick disconnect
5. Remove the Two Battery tie down thumb screws and lift out the battery.
6. After disconnecting the two vacuum electrical quick disconnects use a 7/16 Ratchet with an extension to remove the 3 nuts that hold the vacuum in place and remove the vacuum motor. For replacement follow the above steps in reverse.





Solenoid Diaphragm Replacement

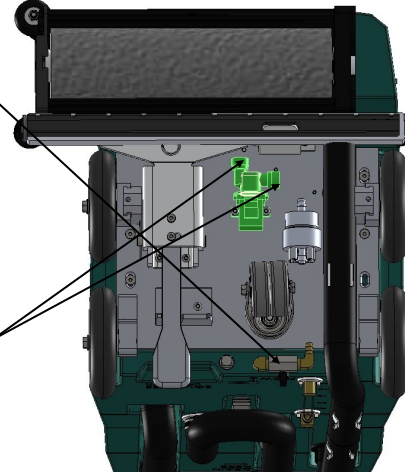


Drip Tube Replacement

MAINTENANCE / SERVICE

Replacing Water Solenoid

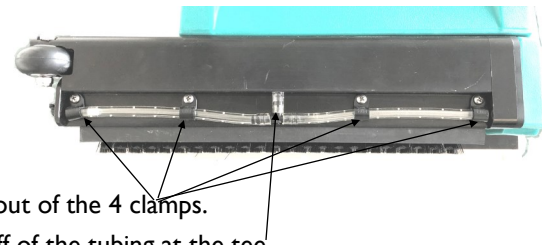
1. Turn off the manual water valve
2. Disconnect the solenoid electrical quick disconnect
3. Remove the two Solenoid mounting screws with a 1/8" Allen wrench
4. Press in the two hose retaining clips and pull out the two hoses
5. To replace follow the above steps in reverse
6. Don't forget to turn the manual water valve back on



Replacing the Drip Tube

Occasionally you may need to replace your drip tube if it becomes filled with debris or you can't get water consistently out of it.

1. Turn off the manual water valve
2. Slide the drip tube out of the 4 clamps.
3. Pull the drip tube off of the tubing at the tee
4. Replace by following the above steps in reverse





Drain Hose Repl.



Idle Bearing Repl.



Drive Bearing Repl.

MAINTENANCE / SERVICE

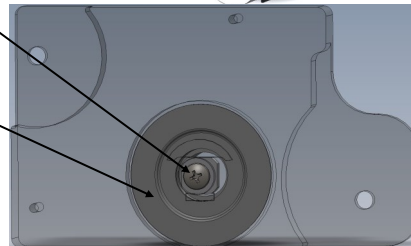
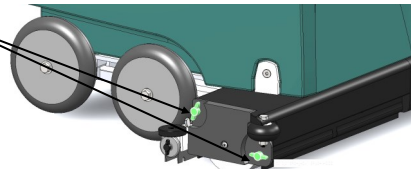
Drain Hose Replacement

1. Drain the dirty water (pg 6)
2. Loosen the hose clamp with a nut driver or flat head screw driver and pull off the hose
3. Replace the hose and tighten the hose clamp



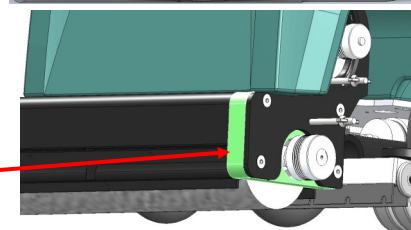
Idle Bearing Replacement

1. Remove the two Thumb screws from the idle bearing plate, and remove end plate.
2. Remove the Phillips screw and pull off the old bearing idle cup.
3. Replace the idle cup / bearing assembly



Drive Bearing Replacement

1. Follow the instructions on pages 11 and 15 for removing the brush and brush motor
2. Pull off the bearing plate, and replace with a new bearing plate assembly from spectrum
3. See exploded view on page 31



Scan this QR code with your smart phone to watch how troubleshoot the water system. You can view all of our Mopit movies on the “Mopit Channel” at



TROUBLESHOOTING

Not Getting Any Water

1. Make sure the brush and solution switches are both on
2. Check to make sure the manual water valve (pg 7) is turned on.
3. Check to make sure there is water in the fresh water tank.
4. Check to make sure you are getting water past the fresh water filter. Pull off the tubing below the filter and open the manual water valve to make sure water comes out.
5. Check to make sure that the solenoid “clicks when you turn on the brush motor and flip the solution switch on and off.
6. Replace the drip tube. See page 17
7. Call Spectrum for additional troubleshooting

Mopit Batteries Not Charging

1. Check to make sure that the charger power cord is plugged into the charger and is in good condition and that your power outlet is working.
2. Call Spectrum for troubleshooting. Also see page 16 on charger replacement.

Mopit Is Leaving Black Marks

The most common cause is not getting water onto the floor. Black marks can also be caused by missing or worn squeegee wheels. See above for how to fix water issues and page 9 for squeegee replacement.

Mopit Machine Smells When I Use It

The Mopit will stink when the recovery tank is not cleaned out regularly. See page 13 for how to clean the tank.

Mopit Machine Is Shocking Me When In Use

Static shocks happen when no water is getting to the floor. The static electricity from the spinning brush causes the static shock. To fix this issue follow page 19 on not getting any water.



Scan this QR code with your smart phone to watch how to troubleshoot the charging system. You can view all of our Mopit movies on the “Mopit Channel” at www.youtube.com.

TROUBLESHOOTING

Mopit Machine Leaks When Not In Use

The most common cause for this is a faulty solenoid. Until we can get you a new solenoid simply turn off the manual water valve (pg 7) when the Mopit is not in use. Also see solenoid replacement (pg 17). The leak may also be coming from a drain hose that has a hole in it.

Mopit Not Cleaning Well

Several factors determine how well the Mopit will clean.

1. **Water:** use hot water for best cleaning. If no water is getting on the floor or the water delivery is uneven, the cleaning performance will be poor. See page 19 Not Getting Any Water, to make sure water delivery is working
2. **Brush Pressure:** see adjusting and checking brush pressure (pg 10)
3. **Suction and water recovery:** If your machine is not sucking up the water well, see page 21 for help. You can also lift the squeegee to double scrub very dirty areas see page 7 (Squeegee pedal)
4. **Battery Charge:** If your battery is weak you won't have much suction or scrubbing power. See pg 6 and pg 19 on battery charging
5. For more help call Spectrum 1-800-290-2833

Scan this QR code with your smart phone to watch how to troubleshoot the suction system. You can view all of our Mopit movies on the “Mopit Channel” at www.youtube.com.

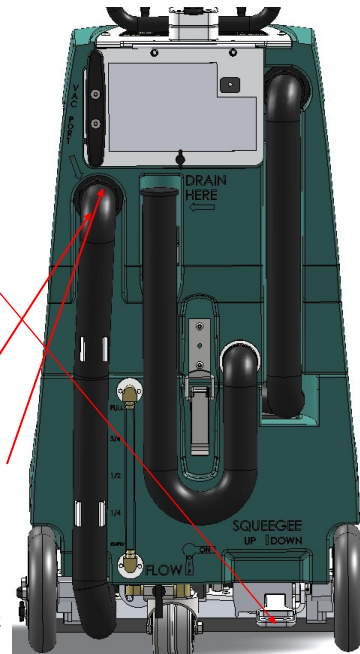


TROUBLESHOOTING

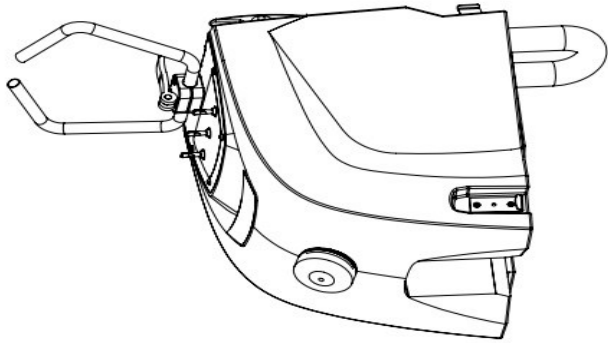
My Mopit Is Not Picking Up Water

If the Mopit is not picking up water, there is an issue with the water recovery system. Here are the things to check:

1. Check the squeegee blades for wear and replace if necessary (pg 9)
2. Make sure the squeegee lift is in the down position (pg 7)
3. Make sure the drain hose cap is screwed on tightly
4. Make sure the Squeegee hose is firmly inserted into the hose receiver
5. Check the vacuum tube for obstructions
6. Flush water down the Squeegee hose to clear any clogs, Lots of water should come out of the squeegee bar during the flushing
7. Make sure the dirty water tank clean out cap is on (pg 13)
8. Make sure the dirty water tank is empty
9. Check the Vacuum filter/shut off inside the dirty water tank to make sure that its clean, if dirty spray it off as shown in (pg 13)
10. Turn on the Vacuum switch and feel the squeegee hole for suction
11. Make sure the squeegee hole is clear
12. Make sure both squeegee wheels are on, and are not worn. The wheels should be replaced each time the squeegee is replaced. They are included in each squeegee replacement kit



MOPIT 5 PARTS DIAGRAM

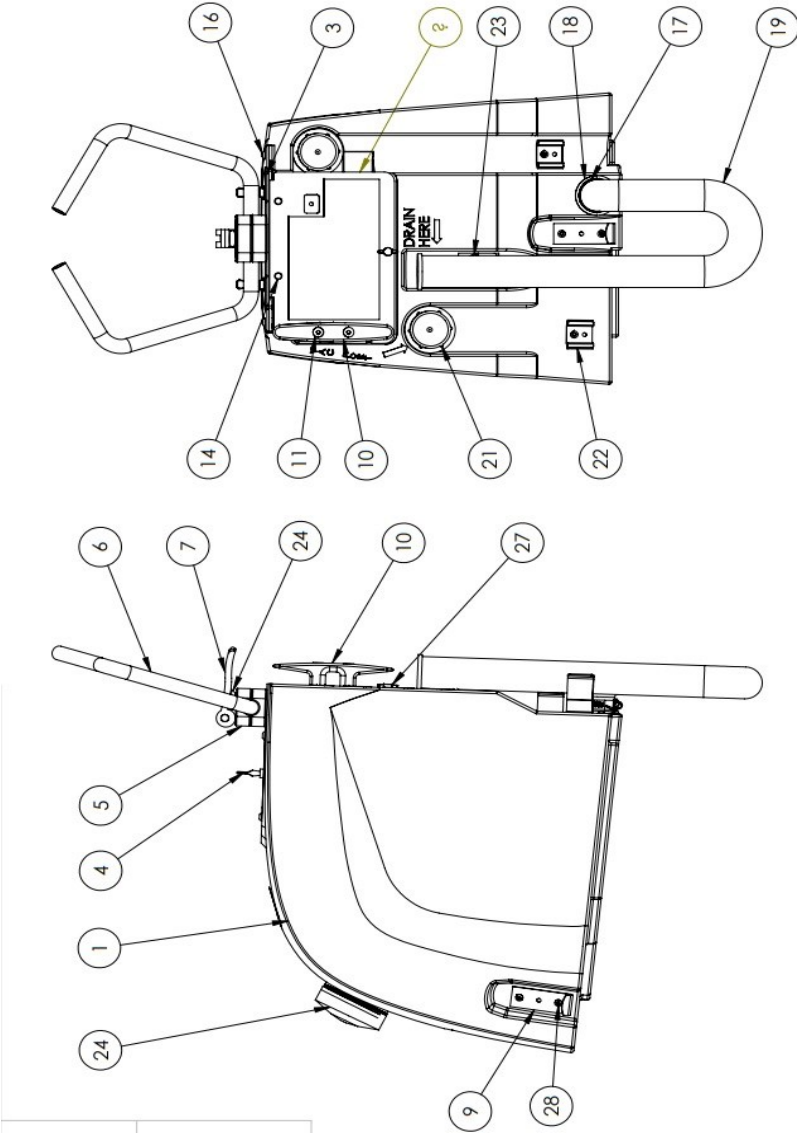


| ITEM NO. | PART NUMBER | DESCRIPTION | QTY. |
|----------|------------------------|-----------------------------|------|
| 1 | 5002_02.TP_TNK | TOP TANK | 1 |
| 2 | 5052_02.CHRGR_PLT | CHARGER PLATE | 1 |
| 3 | 5053_03.DSH_PLT | DASH PLATE | 1 |
| 4 | 4147_01.SWCH | SWITCH | 3 |
| 5 | 5054_02.HNDL_CLMP | HANDLE CLAMP | 2 |
| 6 | 5055_02.HNDL_BR | HANDLE BAR | 1 |
| 7 | 5056_01.HNDL_BR_LTCH | HANDLE QUICK RELEASE | 1 |
| 8 | 5051_01.BTRY_CHRGR | BATTERY CHARGER | 1 |
| 9 | 5057_01.CTCH_PLT | CATCH PLATE | 3 |
| 10 | 4152_01.CRD_WRP | CORD WRAP | 1 |
| 11 | 5063_01.SCRW | 1/4-20 FLAT HEAD SCREW | 2 |
| 12 | 5064_01.NT | 1/4-20 HEX NUT | 2 |
| 13 | 5065_01.PN_HNG | PIANO HINGE | 1 |
| 14 | 5066_01.RVT | 1/4 DIAMETER RIVET | 2 |
| 15 | 4139_01.THRDD_INSRT | THREADED INSERT, 1/4-20 UNC | 4 |
| 16 | 4171_SCRW | 1/4 - 20 X 5/8 BUTTON HEAD | 4 |
| 17 | 5067_01.HS_CLMP | WORM DRIVE HOSE CLAMP | 1 |
| 18 | 5068_01.DRN_HS_SPN_WLD | DRAIN HOSE SPIN WELD | 1 |

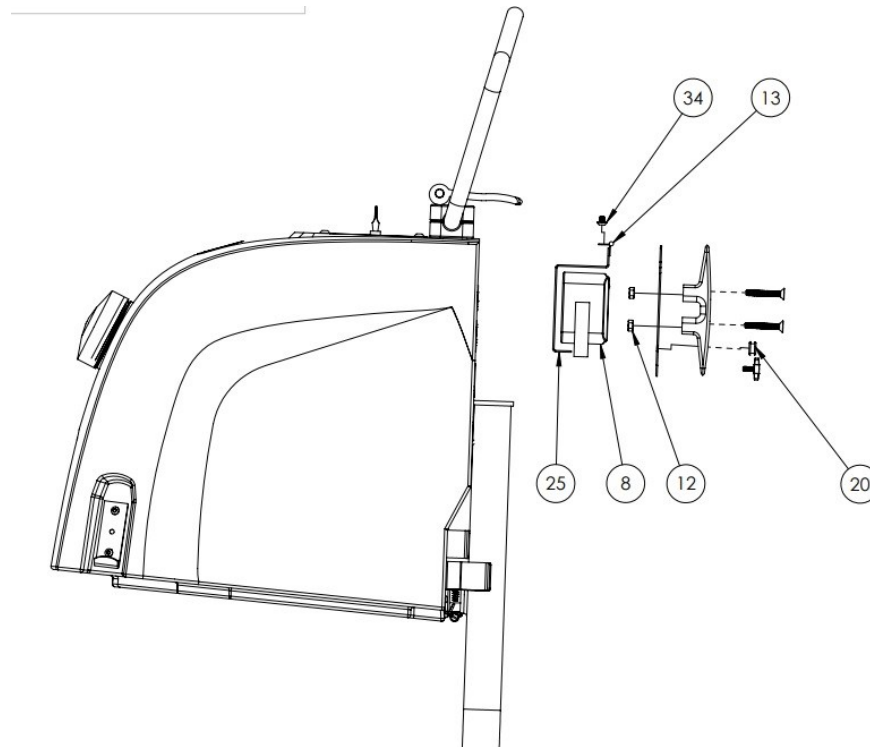
MOPIT 5 PARTS DIAGRAM

| ITEM NO. | PART NUMBER | DESCRIPTION | QTY. |
|----------|-----------------------|--------------------------------|------|
| 19 | 5069_01.DRN_HS | DRAIN HOSE | 1 |
| 20 | 5062_01.GRMMT | GROMMET | 1 |
| 21 | 5074_01.SPN_WLD_FTNG | 1-1/2 NPT SPIN WELD FITTING | 2 |
| 22 | 4146_01.HS_CTCH | HOSE CATCH | 2 |
| 23 | 5072_01.DRN_HS_MNT | DRAIN HOSE MOUNT | 1 |
| 24 | 5073_02.SCRW | 5/16-18 FLAT HEAD SCREW | 2 |
| 25 | 5080_01.CLN_OUT_CP | CLEAN OUT CAP | 1 |
| 26 | 5081_02.CHRGR_BRKT | CHARGER BRACKET | 1 |
| 27 | 5004_01.THRDD_INSRT | 10-32 THREADED INSERT | 10 |
| 28 | 5029_01.THMB_SCRW | PLASTIC THUMB SCREW, 10-32 | 1 |
| 29 | 5046_01.SCRW | 10-24 HEX HEAD SCREW | 9 |
| 30 | 5084_01.ADPTR | 1-1/2 NPT ADPATER | 2 |
| 31 | 5085_01.PIPE | 1-1/2 ABS PIPE, 9 IN | 2 |
| 32 | 5086_01.ELBW | 1-1/2 NPT 45 DEGREE ELBOW | 1 |
| 33 | 5087_01.ELBW_ADPTR | 1-1/2 NPT 90 DEGREE ADAPTER | 1 |
| 34 | 5088_01.VCM_HS_PLG | VACUUM HOSE PLUG | 1 |
| 35 | 5032_01.SCRW | 1/4-20 X 1/4 BUTTON HEAD SCREW | 2 |
| 36 | 5096_02.FRNT_LBL | FRONT LABEL | 1 |
| 37 | 5098_01.CHRGR_PLT_LBL | CHARGER PLATE LABEL | 1 |
| 38 | 5097_02.DSH_LBL | DASH PLATE LABEL | 1 |

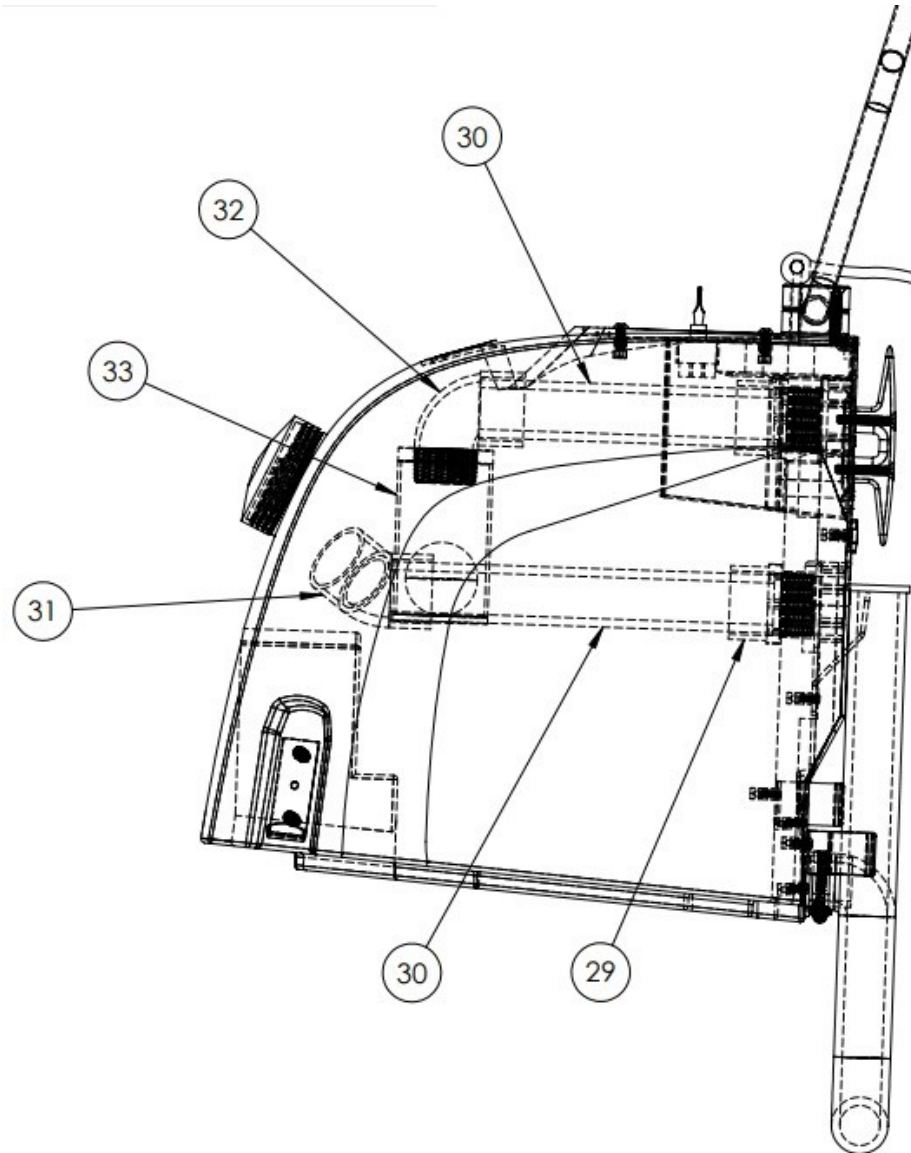
MOPIT 5 PARTS DIAGRAM



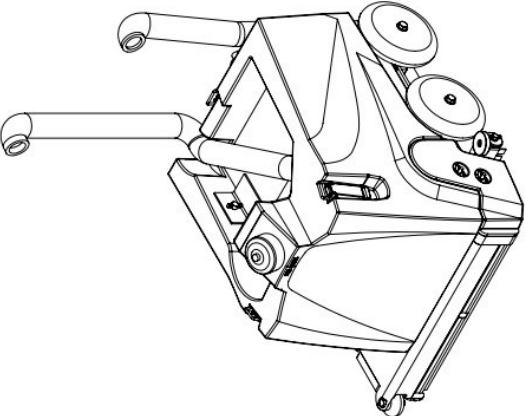
MOPIT 5 PARTS DIAGRAM



MOPIT 5 PARTS DIAGRAM



MOPIT 5 PARTS DIAGRAM



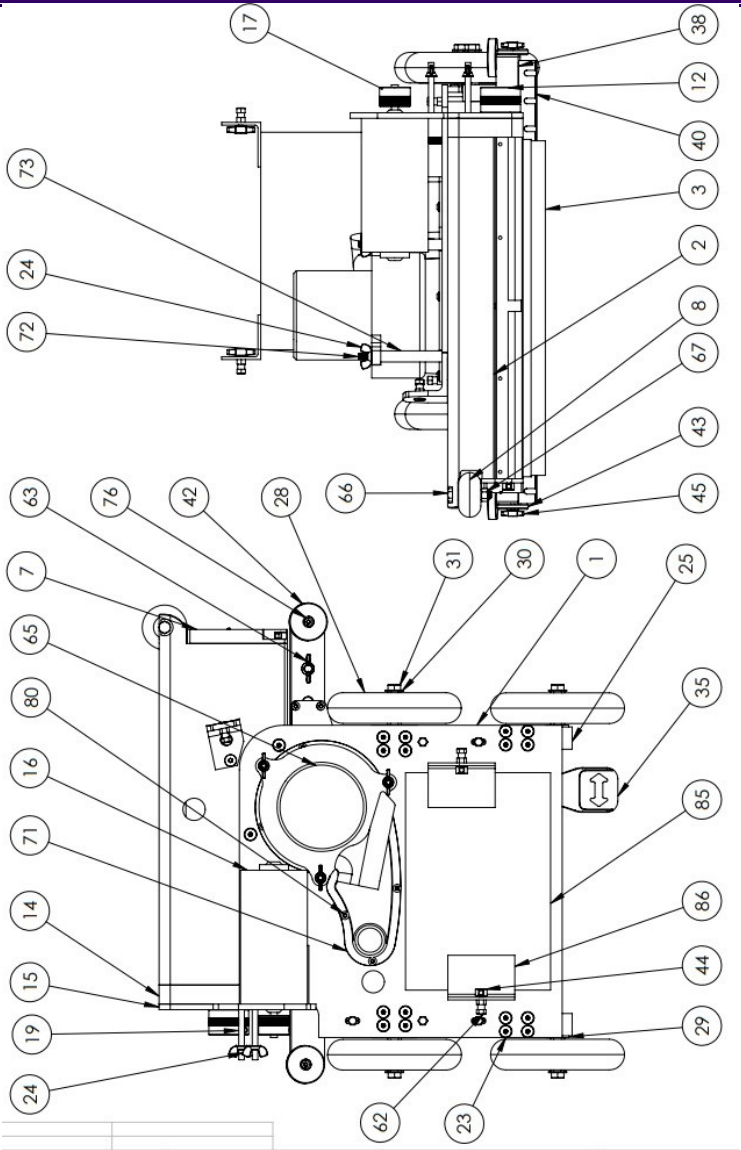
PERMISSION OF SPECTRUM INDUSTRIAL PRODUCTS IS PROHIBITED. ALL RIGHTS RESERVED © 2018

| ITEM NO. | PART NUMBER | DESCRIPTION | QTY. |
|----------|--------------------------|-----------------------------|------|
| 1 | 5009.01.BS_PLT | BASE PLATE | 1 |
| 2 | 5010.01.BRSH_HD | BRUSH HOOD | 1 |
| 3 | 4132.BRUSH | BRUSH | 1 |
| 4 | 4124.02.FR_SD_BRSH_MNT | FREE SIDE BRUSH MOUNT | 1 |
| 5 | 4197.01.BRNG | NSK 6800 BEARING | 1 |
| 6 | 4123.03.FR_SD_SHFT | FREE SIDE SHAFT | 1 |
| 7 | 5011.03.BRSH_SD_A | IDLE BEARING PLATE | 1 |
| 8 | 5013.01.BRSH_HD_WHL | BRUSH HOOD WHEEL | 1 |
| 9 | 4120.04.HX_SFT_LNG | DRIVE SIDE HEX SHAFT (LONG) | 1 |
| 10 | 4125.05.DRV_SD_BRSH_MNT | DRIVE SIDE BRUSH MOUNT | 1 |
| 11 | 4196.01.SL_6203 | BEARING SEAL 6203 | 1 |
| 12 | 4126.04.LRG_PLY | LARGE PULLEY | 1 |
| 13 | 4107.01.SQGE | SQUEEGEE | 2 |
| 14 | 5012.02.BRSH_SD_B | DRIVE BEARING PLATE | 1 |
| 15 | 5014.01.MTR_PLT | MOTOR PLATE | 1 |
| 16 | 4134.01.MOTOR | BRUSH MOTOR | 1 |
| 17 | 4127.01.SMLL_PLY | SMALL PULLEY | 1 |
| 18 | 4170.SCRW | 10 - 32 X 5/8 | 2 |
| 19 | 4166.SCRW | 1/4 - 20 X 1 | 1 |
| 20 | 5016.THRD_RD | THREADED ROD 1/4-20 X 2.75 | 2 |
| 22 | 4172.SCRW | 1/4 - 20 X 3/4 | 7 |
| 23 | 4168.SCRW | 1/4 - 20 X 3/4 | 22 |
| 24 | 5018.01.WNG_NT | 1/4-20 WING NUT | 5 |
| 25 | 4027.05.TRNSPRT_WHL_MNT | TRANSPORT WHEEL MOUNT | 2 |
| 26 | 4155.01.WHL_ADJSTR_MNT_B | WHEEL ADJUSTOR MOUNT MOD | 2 |
| 27 | 4156.01.WHL_ADJSTR_SLD | WHEEL ADJUSTOR SLIDE | 2 |
| 28 | 4143.01.WHL | WHEEL | 4 |
| 29 | 5031.01.WSHR | WASHER 1/2 X 0.08 | 2 |
| 30 | 4182.WSHR | WASHER 3/8 X 0.05 | 4 |
| 31 | 4183.SCRW | BOLT 3/8 - 16 X 2 | 4 |
| 32 | 5019.01.SQG_STP | SQUEEGEE STOP | 1 |
| 33 | 5020.02.SQG_BRKT_UJPR | UPPER SQUEEGEE BRACKET | 1 |
| 34 | 5021.01.SQG_BRKT_LWR | LOWER SQUEEGEE BRACKET | 1 |
| 35 | 5022.02.SQG_LVR | SQUEEGEE PEDAL | 1 |
| 36 | 5023.01.CLVS_PN | STAINLESS STEEL CLEVIS PIN | 1 |
| 37 | 5024.01.SHLDR_BLT | 1/4-20 SHOULDER BOLT | 2 |
| 38 | 5025.03.SQG_BR | SQUEEGEE BAR | 1 |
| 39 | 4150.01.HS_RCVR | VACUUM HOSE RECIEVER | 1 |

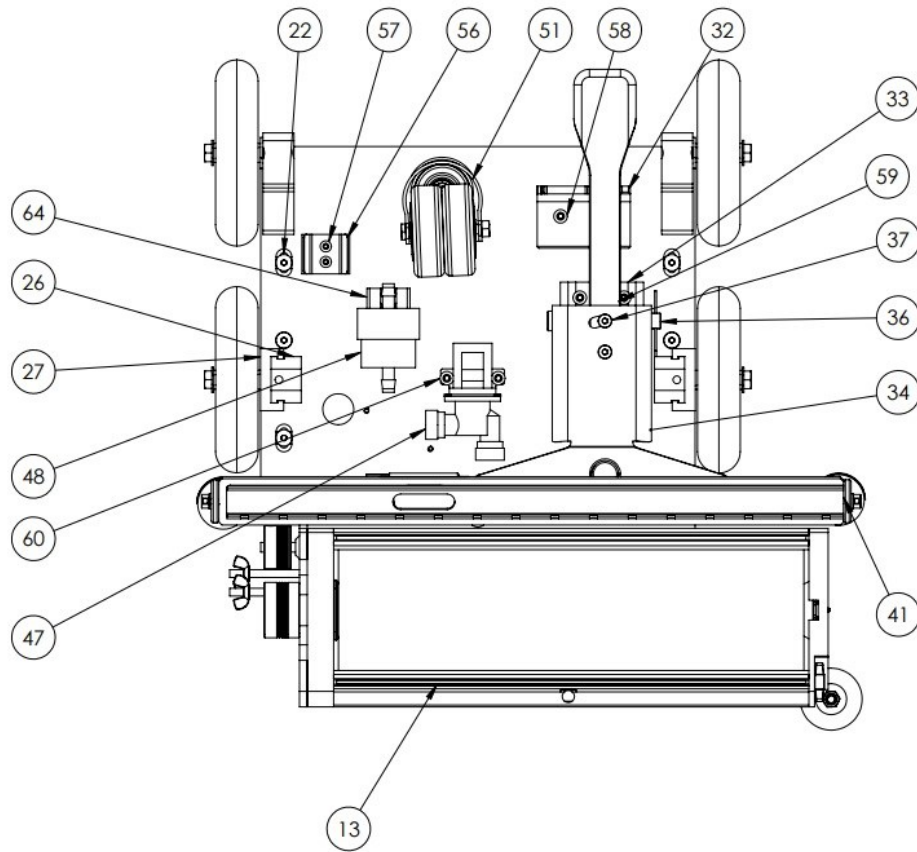
MOPIT 5 PARTS DIAGRAM

| ITEM NO. | PART NUMBER | DESCRIPTION | QTY. | ITEM NO. | PART NUMBER | DESCRIPTION | QTY. |
|----------|---------------------------|----------------------------------|------|----------|-----------------------|--------------------------------|------|
| 40 | 5026_05.SQG | SQUEEGEE | 1 | 79 | 5094_01.SCRW | 1/4-20 X 1-1/2 FLAT HEAD SCREW | 4 |
| 41 | 5027_03.SQG_INSRT | SQUEEGEE INSERT | 1 | 80 | 5001_03.BTMM_TNK | BOTTOM TANK | 1 |
| 42 | 4174_01.SQG_BR_DFICTR_WHL | DEFLECTOR WHEEL | 2 | 81 | 5076_01.STFRN | STIFFENER | 1 |
| 43 | 4161_01.SQG_TP_WHL | SQUEEGEE BAR WHEEL | 2 | 82 | 5077_01.SCRW | 1/4-20 FLAT HEAD SCREW | 4 |
| 44 | 5028_01.THMB_SCRW | PLASTIC THUMB SCREW, 1/4-20 | 4 | 83 | 5006_03.PILY_CVR | PULLEY COVER | 1 |
| 45 | 5029_01.THMB_SCRW | PLASTIC THUMB SCREW, 10-32 | 2 | 84 | 5068_01.LTCH | LATCH | 3 |
| 46 | 4187_SCRW | SCREW 10-24 X 1/2 BUTTON HEAD | 12 | 85 | 5059_01.SPN_WLD_FTNG | 1/4 NPT SPIN WELD FITTING | 2 |
| 47 | 5030_01.SLND | SOLENOID | 1 | 86 | 4154_01.FLL_GAGE_ELBW | FILL GAGE ELBOW | 2 |
| 48 | 4133_01.FLTR_ASSY | FILTER ASSEMBLY | 1 | 87 | 5060_01.FLL_GGE_TB | FILL GAGE TUBE | 1 |
| 49 | 4144_01.CSTR | CASTOR | 1 | 88 | 5061_01.VLV | VALVE | 1 |
| 50 | 4173_NUT | 3/8 - 16 NUT | 1 | 89 | 5070_01.VCM_HS | VACUUM HOSE | 1 |
| 51 | 4174_SCRW | SCREW 3/8 - 16 X 1 3/8 | 1 | 90 | 5071_02.SQG_HS | SQUEEGEE HOSE | 1 |
| 52 | 4179_SPCR | SPACER | 2 | 91 | 5075_01.SCRW | 1/4-20 SOCKET HEAD SCREW | 2 |
| 53 | 4146_01.HS_CTCH | HOSE CATCH | 2 | 92 | 5078_01.DRN_PLG | 1/2 NPT DRAIN PLUG | 1 |
| 54 | 4186_SCRW | SCREW 10-24 X 1 BUTTON HEAD | 2 | 93 | 5079_01.FLL_CP | FILL CAP | 1 |
| 55 | 4178_SCRW | SCREW BUTTON HEAD | 2 | 94 | 5082_01.FLL_SCRN | FILL SCREEN | 1 |
| 56 | 4186_SCRW | SCREW 1/4 - 20 X 1/2 BUTTON HEAD | 4 | 95 | 5046_01.SCRW | 10-24 HEX HEAD SCREW | 7 |
| 57 | 5032_01.SCRW | 1/4-20 X 1/4 BUTTON HEAD SCREW | 2 | 96 | 5004_01.THRDD_INSRT | 10-32 THREADED INSERT | 7 |
| 58 | 5033_01.DWL_PN | 1/8 X 1-1/4 DOWEL PIN | 2 | 97 | 5017_01.BTRY | BATTERY | 1 |
| 59 | 4139_01.THRDD_INSRT | THREADED INSERT, 1/4-20 UNC | 2 | | | | |
| 60 | 5034_01.WNG_NT | 5/16-18 STEEL WING NUT | 1 | | | | |
| 61 | 5035_01.FLTR_CLAMP | FILTER CLAMP | 1 | | | | |
| 62 | 5036_01.VCM_MTR | VACUUM MOTOR | 1 | | | | |
| 63 | 5037_01.BLT | 5/16-18 X 3/4 BOLT | 1 | | | | |
| 64 | 5038_01.NT | 5/16-18 NYLOCK NUT | 1 | | | | |
| 65 | 5039_01.SPCR | UNTHREADED ALUMINIUM SPACER | 1 | | | | |
| 66 | 5040_01.LCK_WSHR | SPLIT LOCK WASHER | 1 | | | | |
| 67 | 5041_01.NYLN_SPCR | UNTHREADED NYLON SPACER | 2 | | | | |
| 68 | 5005_03.VCM_MNT | VACUUM MOUNT | 1 | | | | |
| 69 | 5042_01.THRDD_RD | 1/4-20 X 4 THREADED ROD | 3 | | | | |
| 70 | 5043_01.SPCR | UNTHREADED ALUMINIUM SPACER | 3 | | | | |
| 71 | 4184_01.SQG_SPRNG | SQUEEGEE BAR SPRING | 1 | | | | |
| 72 | 5044_01.BTRY_BRCKT | BATTERY BRACKET | 2 | | | | |
| 73 | 5045_01.SCRW | 10-24 X 1/2 PHILLIPS HEAD SCREW | 1 | | | | |
| 74 | 5046_01.SCRW | 10-24 X 1/2 HEX HEAD SCREW | 3 | | | | |
| 75 | 5047_01.PCMM_WSHR | PACMAN WASHER | 1 | | | | |
| 76 | 5048_01.WSHR | WASHER 3/8 X 0.1 | 1 | | | | |
| 77 | 5049_01.SCRW | 10-24 X 3/4 HEX HEAD SCREW | 1 | | | | |
| 78 | 5050_01.SCRW | 10-24 X 3/8 HEX HEAD SCREW | 6 | | | | |

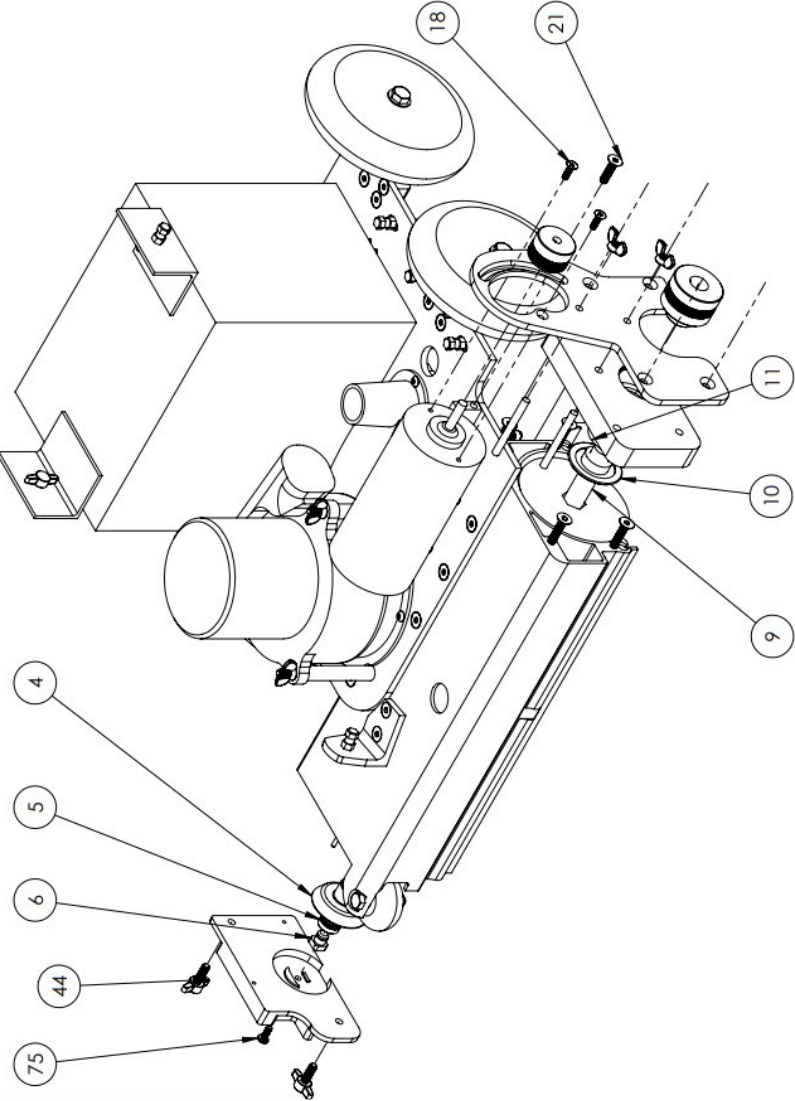
MOPIT 5 PARTS DIAGRAM



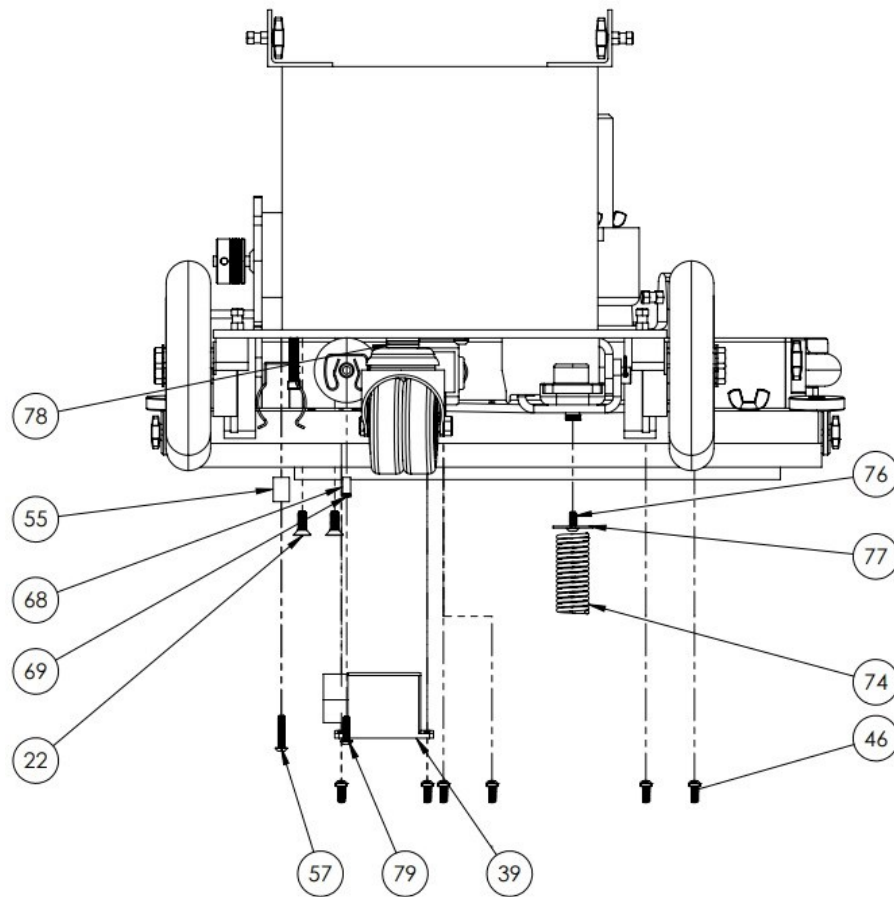
MOPIT 5 PARTS DIAGRAM



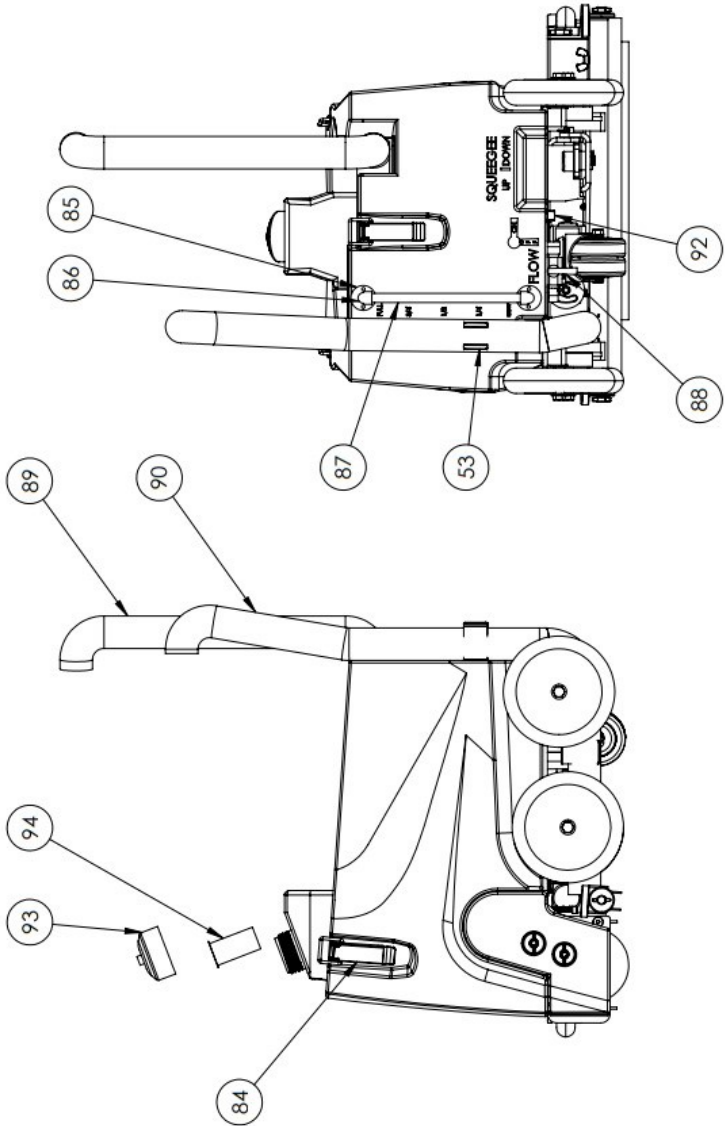
MOPIT 5 PARTS DIAGRAM



MOPIT 5 PARTS DIAGRAM

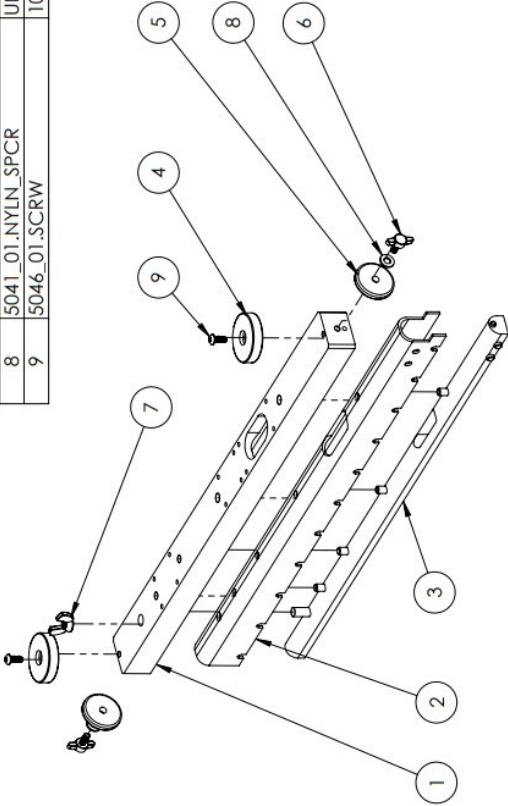


MOPIT 5 PARTS DIAGRAM



MOPIT 5 PARTS DIAGRAM

| ITEM NO. | PART NUMBER | DESCRIPTION | QTY. |
|----------|---------------------------|----------------------------|------|
| 1 | 5025_03.SQG_BR | SQUEEGEE BAR | 1 |
| 2 | 5026_05.SQG | SQUEEGEE | 1 |
| 3 | 5027_03.SQG_INSRT | 5/16 X 1 THREADED ROD | 1 |
| 4 | 4174_01.SQG_BR_DFLCTR_WHL | DEFLECTOR WHEEL | 2 |
| 5 | 4161_01.SQG_TP_WHL | SQUEEGEE BAR WHEEL | 2 |
| 6 | 5029_01.THMB_SCRW | PLASTIC THUMB SCREW, 10-32 | 2 |
| 7 | 5034_01.WNG_NT | 5/16-18 STEEL WING NUT | 1 |
| 8 | 5041_01.NYLN_SPCR | UNTHREADED NYLON SPACER | 2 |
| 9 | 5046_01.SCRW | 10-24 X 1/2 HEX HEAD SCREW | 2 |



MOPIT 5 SPECIFICATIONS

| | |
|----------------------|--|
| Cleaning Path | 15 Inches |
| Fresh Water Capacity | 4.75 Gallons |
| Dirty Water Capacity | 7 Gallons |
| Solution Flow Rate | .14 to .08 Gallons Per Minute |
| Scrub Brush Speed | 1200 RPM |
| Brush Size | 15" long 4" in Diameter |
| Vacuum Motor | 24 Volt 2 Stage, 45.8" Water Lift Sealed |
| Run Time per Charge | Approx 60 Minutes |
| Charger | On-board 24V 5 Amp |
| Weight | 93.5 lbs (dry weight) |
| Length | 27 inches w/handle in working position 23.5 inches with handle folded |
| Height | 40 inches w/handle in working position 34.5 inches with handle folded |
| Width | 21.5 Inches |



Spectrum Industrial Products LLC
868 West 400 North
Logan, Utah 84321
Phone: 1-800-290-2833
Email: mopit@mopit.com
Web: www.mopit.com