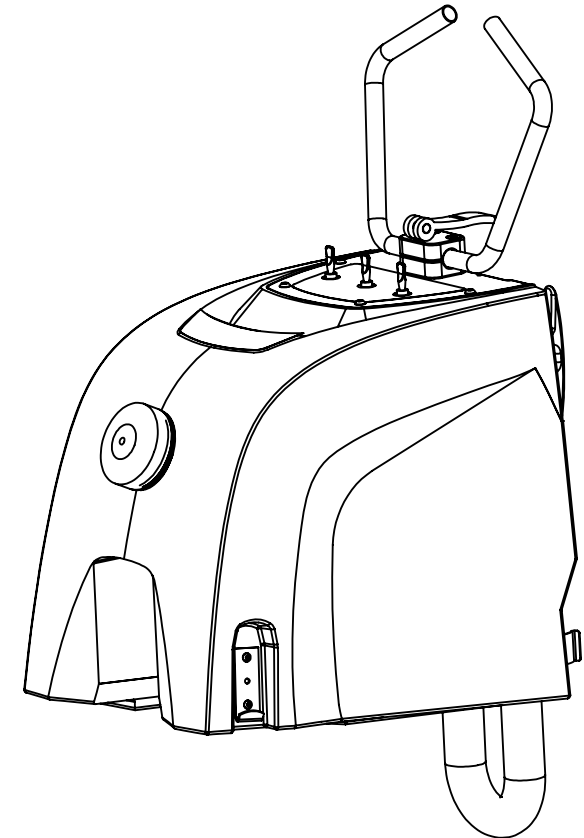


8 7 6 5 4 3 2 1

THE INFORMATION CONTAINED IN THIS DRAWING IS THE SOLE PROPERTY OF SPECTRUM INDUSTRIAL PRODUCTS. ANY REPRODUCTION IN PART OR WHOLE WITHOUT THE WRITTEN PERMISSION OF SPECTRUM INDUSTRIAL PRODUCTS IS PROHIBITED. ALL RIGHTS RESERVED © 2018

ITEM NO.	PART NUMBER	DESCRIPTION	QTY.
1	5002_02.TP_TNK	TOP TANK	1
2	5052_02.CHRGR_PLT	CHARGER PLATE	1
3	5053_03.DSH_PLT	DASH PLATE	1
4	4147_01.SWTC	SWITCH	3
5	5054_02.HNDL_CLMP	HANDLE CLAMP	2
6	5055_02.HNDL_BR	HANDLE BAR	1
7	5056_01.HNDL_BR_LTCH	HANDLE QUICK RELEASE	1
8	5051_01.BTRY_CHRGR	BATTERY CHARGER	1
9	5057_01.CTCH_PLT	CATCH PLATE	3
10	4152_01.CRD_WRP	CORD WRAP	1
11	5063_01.SCRW	1/4-20 FLAT HEAD SCREW	2
12	5064_01.NT	1/4-20 HEX NUT	2
13	5065_01.PN_HNG	PIANO HINGE	1
14	5066_01.RVT	1/4 DIAMETER RIVET	2
15	4139_01.THRDD_INSRT	THREADED INSERT, 1/4-20 UNC	4
16	4171_SCRW	1/4 - 20 X 5/8 BUTTON HEAD	4
17	5067_01.HS_CLMP	WORM DRIVE HOSE CLAMP	1
18	5068_01.DRN_HS_SPN_WLD	DRAIN HOSE SPIN WELD	1



**NOTES:**

- INTERPRET PER ASME Y14.41-2003. THIS DRAWING SHALL BE USED WITH MODEL OF THE SAME NAME FOR COMPLETE PRODUCT DEFINITION.

UNLESS OTHERWISE SPECIFIED  
DIMENSIONS ARE IN INCHES  
TOLERANCES ARE:  
DECIMALS ANGLES  
X.X ± 0.2 IN X ± 2.0  
X.XX ± 0.020 IN X.X ± 0.5  
X.XXX ± 0.005 IN X.XX ± 0.1

MATERIAL  
SEE BOM  
FINISH  
N/A

DO NOT SCALE DRAWING

APPROVALS	DATE
DRAWN A. CHRISTENSEN	4/12/2018
ENGINEER A. CHRISTENSEN	4/12/2018
PROJECT MANAGER COLLIN LEWIS	4/12/2018
PRODUCTION COLLIN LEWIS	4/12/2018
RELEASED COLLIN LEWIS	4/12/2018



**UPPER ASSEMBLY, MOPIT 5**

DWG. NO.  
**5095\_06.ASY\_UPPR**

SIZE A SCALE 1:8 SHEET 1 OF 6

8 7 6 5 4 3 2 1

THE INFORMATION CONTAINED IN THIS DRAWING IS THE SOLE PROPERTY OF SPECTRUM INDUSTRIAL PRODUCTS. ANY REPRODUCTION IN PART OR WHOLE WITHOUT THE WRITTEN PERMISSION OF SPECTRUM INDUSTRIAL PRODUCTS IS PROHIBITED. ALL RIGHTS RESERVED © 2018

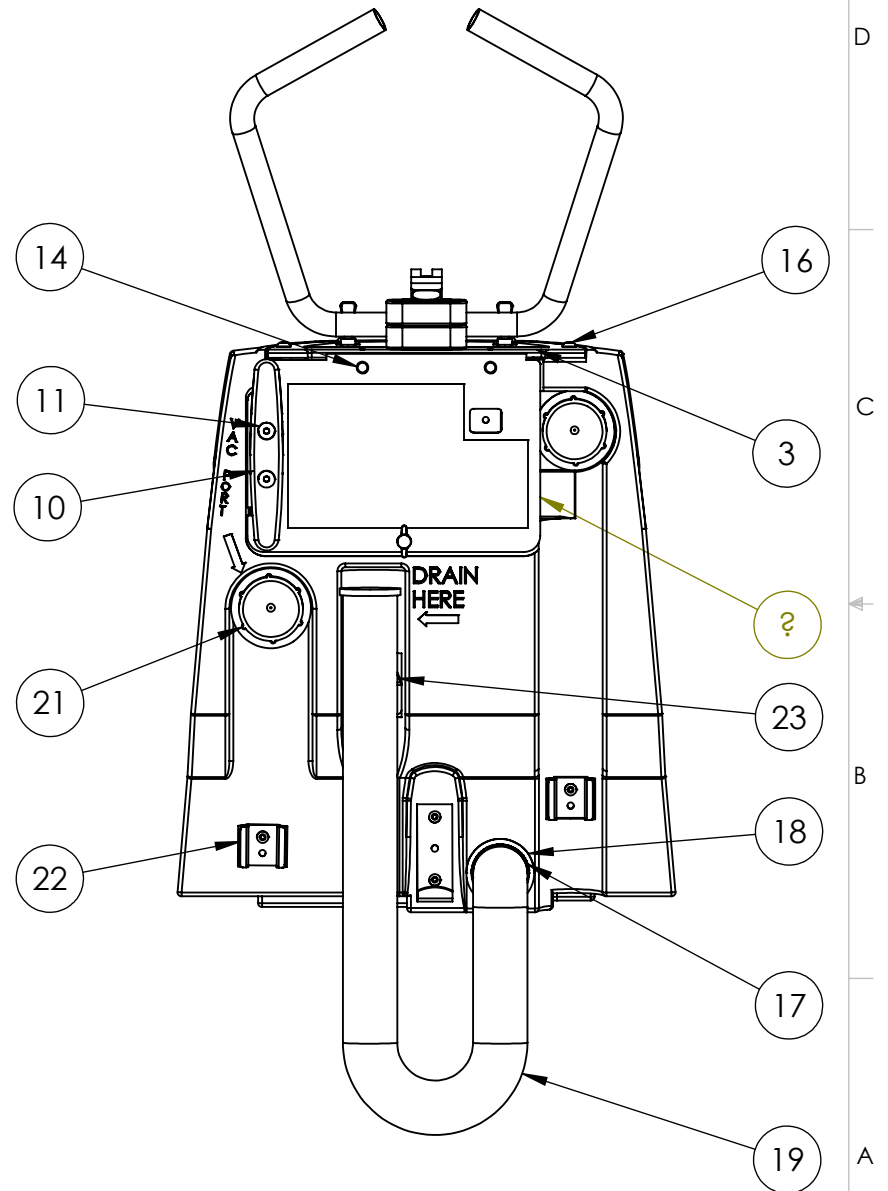
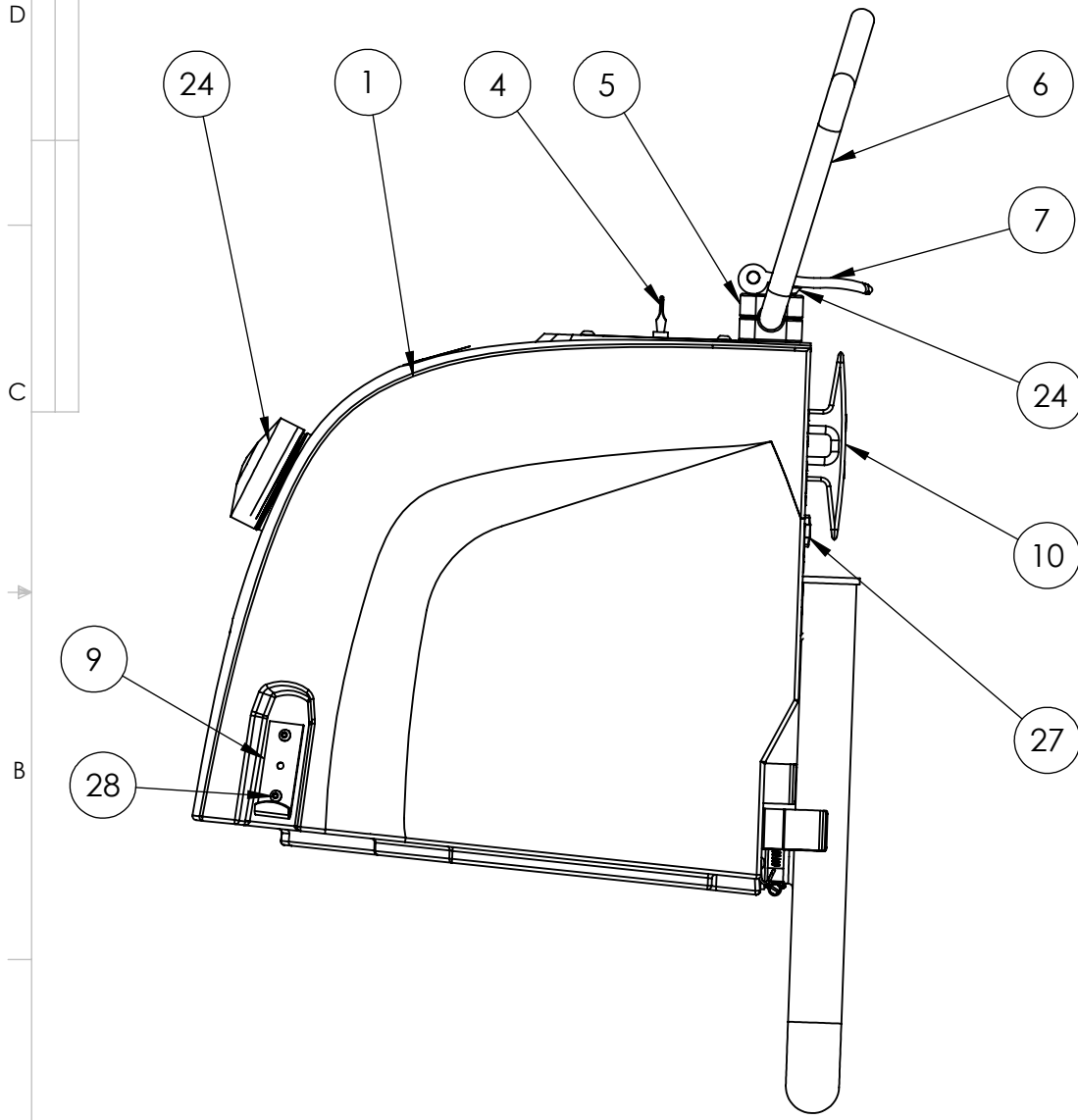
ITEM NO.	PART NUMBER	DESCRIPTION	QTY.
19	5069_01.DRN_HS	DRAIN HOSE	1
20	5062_01.GRMMET	GROMMET	1
21	5074_01.SPN_WLD_FTNG	1-1/2 NPT SPIN WELD FITTING	2
22	4146_01.HS_CTCH	HOSE CATCH	2
23	5072_01.DRN_HS_MNT	DRAIN HOSE MOUNT	1
24	5073_02.SCRW	5/16-18 FLAT HEAD SCREW	2
25	5080_01.CLN_OUT_CP	CLEAN OUT CAP	1
26	5081_02.CHRGR_BRKT	CHARGER BRACKET	1
27	5004_01.THRDD_INSRT	10-32 THREADED INSERT	10
28	5029_01.THMB_SCRW	PLASTIC THUMB SCREW, 10-32	1
29	5046_01.SCRW	10-24 HEX HEAD SCREW	9
30	5084_01.ADPTR	1-1/2 NPT ADPATER	2
31	5085_01.PIPE	1-1/2 ABS PIPE, 9 IN	2
32	5086_01.ELBW	1-1/2 NPT 45 DEGREE ELBOW	1
33	5087_01.ELBW_ADPTR	1-1/2 NPT 90 DEGREE ADAPTER	1
34	5088_01.VCM_HS_PLG	VACUUM HOSE PLUG	1
35	5032_01.SCRW	1/4-20 X 1/4 BUTTON HEAD SCREW	2
36	5096_02.FRNT_LBL	FRONT LABEL	1
37	5098_01.CHRGR_PLT_LBL	CHARGER PLATE LABEL	1
38	5097_02.DSH_LBL	DASH PLATE LABEL	1

**UPPER ASSEMBLY, MOPIT 5**

SIZE A DWG. NO. **5095\_06.ASY\_UPPR**

SCALE 1:1 SHEET 2 OF 6

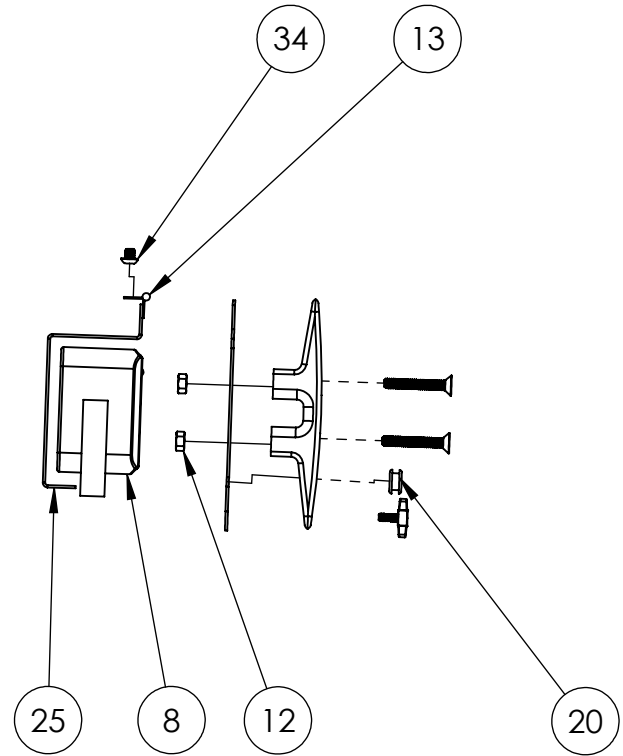
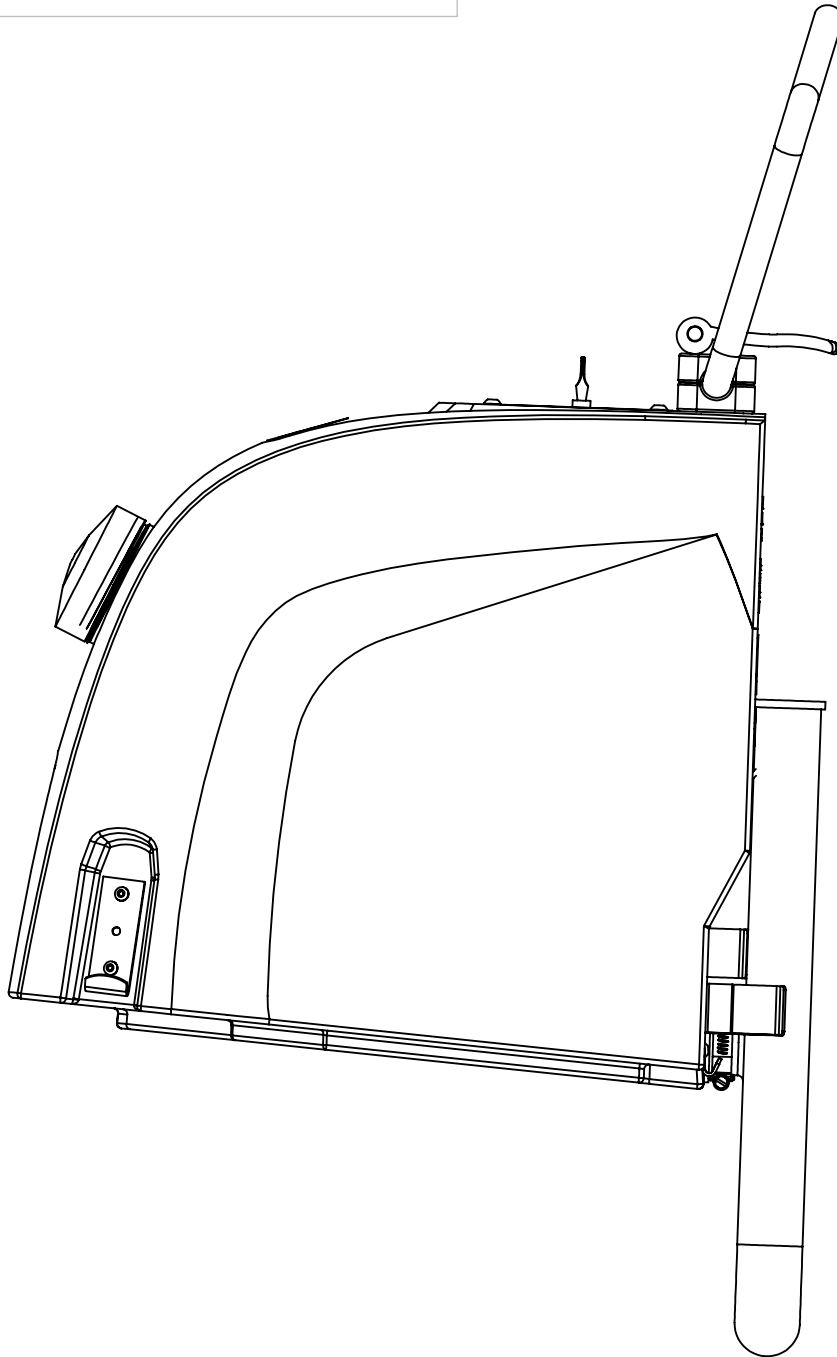
THE INFORMATION CONTAINED IN THIS DRAWING IS THE SOLE PROPERTY OF SPECTRUM INDUSTRIAL PRODUCTS. ANY REPRODUCTION IN PART OR WHOLE WITHOUT THE WRITTEN PERMISSION OF SPECTRUM INDUSTRIAL PRODUCTS IS PROHIBITED. ALL RIGHTS RESERVED © 2018



<b>UPPER ASSEMBLY, MOPIT 5</b>			
SIZE A	DWG. NO. <b>5095_06.ASY_UPPR</b>		
SCALE 1:6		SHEET 3 OF 6	

8 7 6 5 4 3 2 1

THE INFORMATION CONTAINED IN THIS DRAWING IS THE SOLE PROPERTY OF SPECTRUM INDUSTRIAL PRODUCTS. ANY REPRODUCTION IN PART OR WHOLE WITHOUT THE WRITTEN PERMISSION OF SPECTRUM INDUSTRIAL PRODUCTS IS PROHIBITED. ALL RIGHTS RESERVED © 2018



**UPPER ASSEMBLY, MOPIT 5**

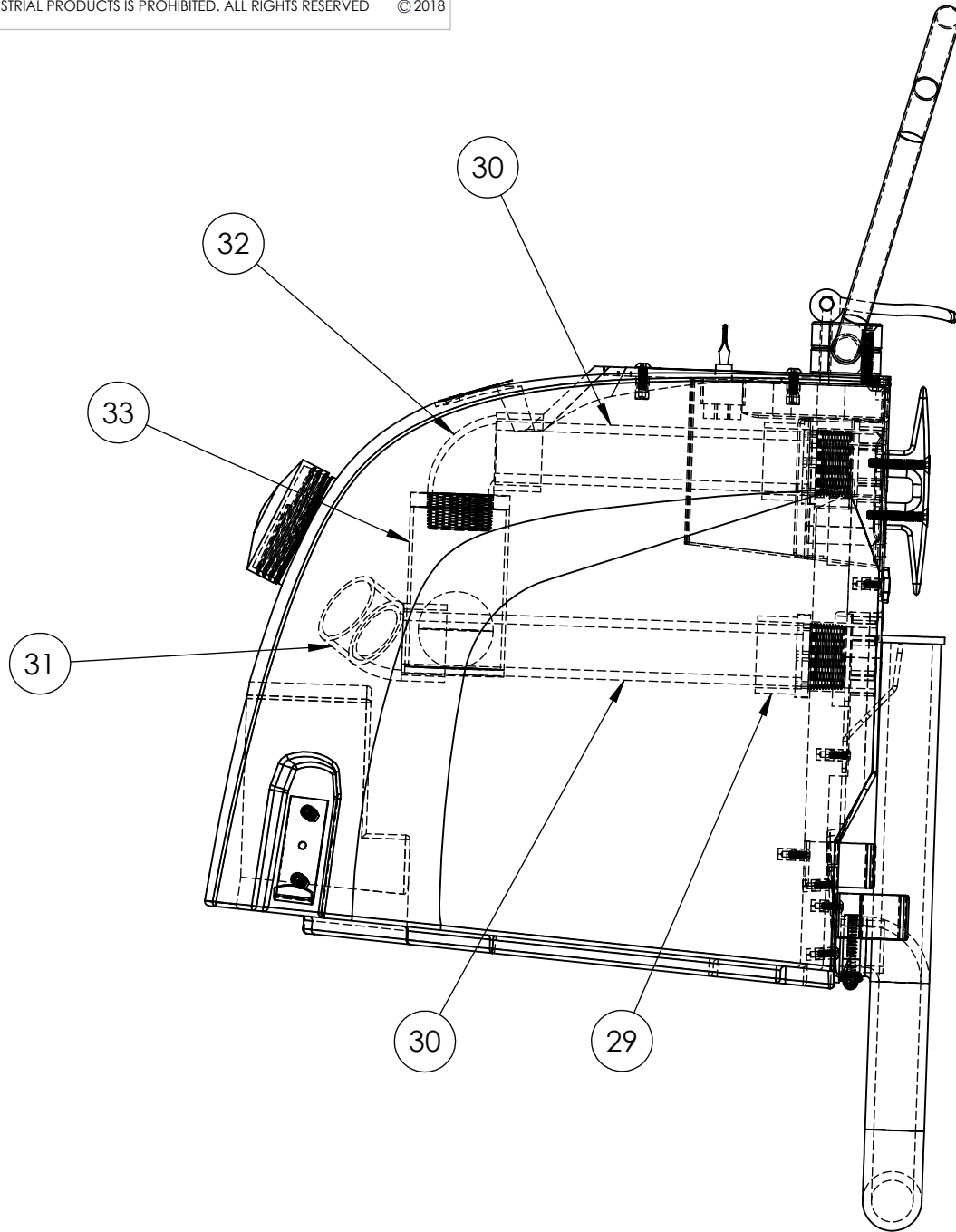
SIZE A DWG. NO. 5095\_06.ASY\_UPPR

SCALE 1:5

SHEET 4 OF 6

8 7 6 5 4 3 2 1

THE INFORMATION CONTAINED IN THIS DRAWING IS THE SOLE PROPERTY OF SPECTRUM INDUSTRIAL PRODUCTS. ANY REPRODUCTION IN PART OR WHOLE WITHOUT THE WRITTEN PERMISSION OF SPECTRUM INDUSTRIAL PRODUCTS IS PROHIBITED. ALL RIGHTS RESERVED © 2018



**UPPER ASSEMBLY, MOPIT 5**

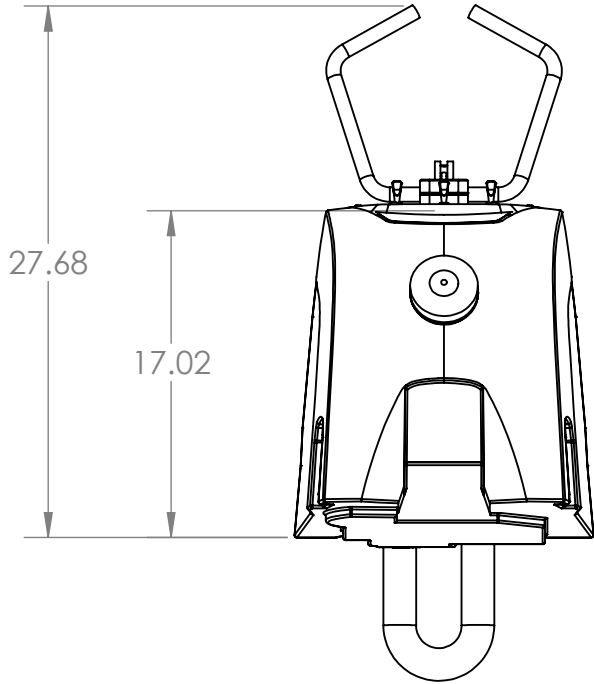
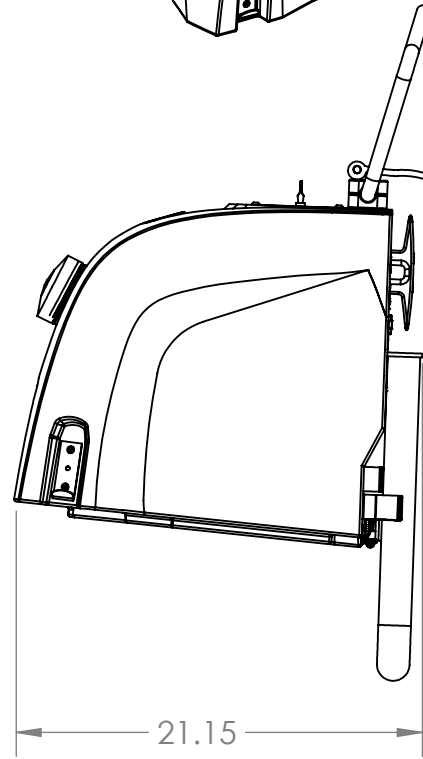
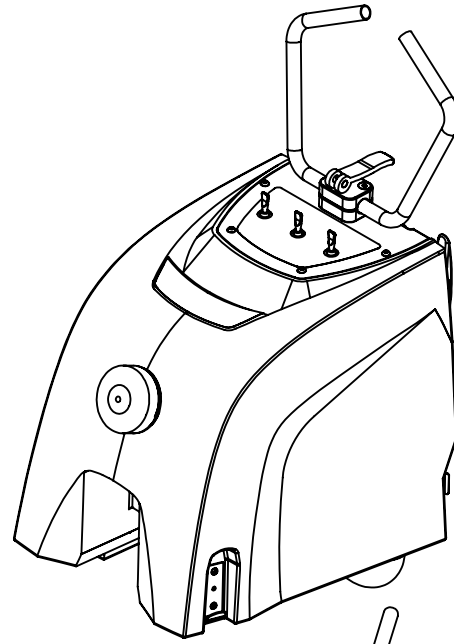
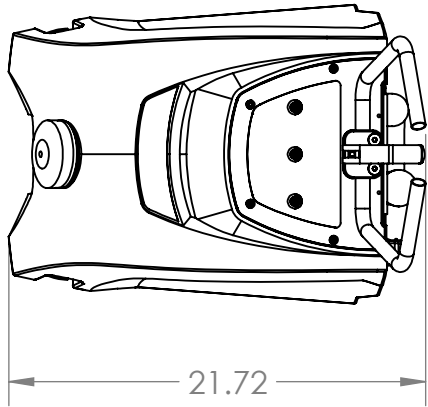
SIZE A DWG. NO. 5095\_06.ASY\_UPPR

SCALE 1:5

SHEET 5 OF 6

8 7 6 5 4 3 2 1

THE INFORMATION CONTAINED IN THIS DRAWING IS THE SOLE PROPERTY OF SPECTRUM INDUSTRIAL PRODUCTS. ANY REPRODUCTION IN PART OR WHOLE WITHOUT THE WRITTEN PERMISSION OF SPECTRUM INDUSTRIAL PRODUCTS IS PROHIBITED. ALL RIGHTS RESERVED © 2018



<b>UPPER ASSEMBLY, MOPIT 5</b>	
SIZE A	DWG. NO. <b>5095_06.ASY_UPPR</b>
SCALE 1:10	
SHEET 6 OF 6	

8 7 6 5 4 3 2 1