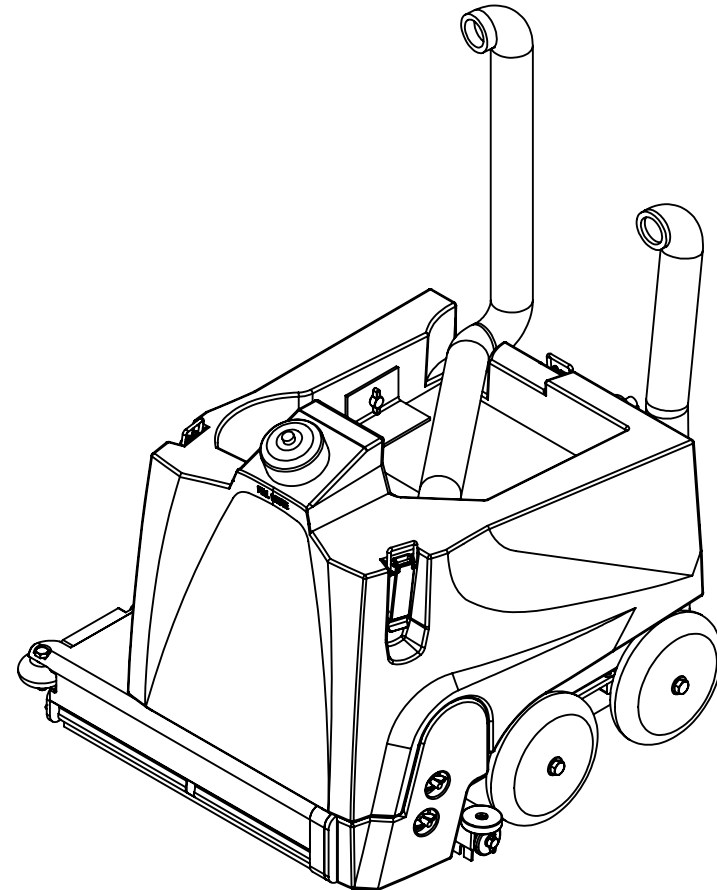


8 7 6 5 4 3 2 1

THE INFORMATION CONTAINED IN THIS DRAWING IS THE SOLE PROPERTY OF SPECTRUM INDUSTRIAL PRODUCTS. ANY REPRODUCTION IN PART OR WHOLE WITHOUT THE WRITTEN PERMISSION OF SPECTRUM INDUSTRIAL PRODUCTS IS PROHIBITED. ALL RIGHTS RESERVED © 2018

ITEM NO.	PART NUMBER	DESCRIPTION	QTY.
1	5009_01.BS_PLT	BASE PLATE	1
2	5010_01.BRSH_HD	BRUSH HOOD	1
3	4132_BRUSH	BRUSH	1
4	4124_02.FR_SD_BRSH_MNT	FREE SIDE BRUSH MOUNT	1
5	4197_01.BRNG	NSK 6800 BEARING	1
6	4123_03.FR_SD_SHFT	FREE SIDE SHAFT	1
7	5011_03.BRSH_SD_A	IDLE BEARING PLATE	1
8	5013_01.BRSH_HD_WHL	BRUSH HOOD WHEEL	1
9	4120_06.HX_SFT_LNG	DRIVE SIDE HEX SHAFT (LONG)	1
10	4125_05.DRV_SD_BRSH_MNT	DRIVE SIDE BRUSH MOUNT	1
11	4196_01.SL_6203	BEARING SEAL 6203	1
12	4126_04.LRG_PLLY	LARGE PULLEY	1
13	4107_01.SQGE	SQUEEGEE	2
14	5012_02.BRSH_SD_B	DRIVE BEARING PLATE	1
15	5014_01.MTR_PLT	MOTOR PLATE	1
16	4134_01.MOTOR	BRUSH MOTOR	1
17	4127_01.SMLL_PLLY	SMALL PULLEY	1
18	4170_SCRW	10 - 32 X 5/8	2
19	4166_SCRW	1/4 - 20 X 1	1
20	5016_THRD_RD	THREADED ROD 1/4-20 X 2.75	2
22	4172_SCRW	1/4 - 20 X 3/4	7
23	4168_SCRW	1/4 - 20 X 3/4	22
24	5018_01.WNG_NT	1/4-20 WING NUT	5
25	4027_05.TRNSPRT_WHL_MNT	TRANSPORT WHEEL MOUNT	2
26	4155_01.WHL_ADJSTR_MNT_B	WHEEL ADJUSTOR MOUNT MOD	2
27	4156_01.WHL_ADJSTR_SLD	WHEEL ADJUSTOR SLIDE	2
28	4143_01_WHL	WHEEL	4
29	5031_01.WSHR	WASHER 1/2 X 0.08	2
30	4182_WSHR	WASHER 3/8 X 0.05	4
31	4183_SCRW	BOLT 3/8 - 16 X 2	4
32	5019_01.SQG_STP	SQUEEGEE STOP	1
33	5020_02.SQG_BRKT_UPPR	UPPER SQUEEGEE BRACKET	1
34	5021_01.SQG_BRKT_LWR	LOWER SQUEEGEE BRACKET	1
35	5022_02.SQG_LVR	SQUEEGEE PEDAL	1
36	5023_01.CLVS_PN	STAINLESS STEEL CLEVIS PIN	1
37	5024_01.SHLDR_BLT	1/4-20 SHOULDER BOLT	2
38	5025_03.SQG_BR	SQUEEGEE BAR	1
39	4150_01.HS_RCVR	VACCUM HOSE RECIEVER	1



**NOTES:**

1. INTERPRET PER ASME Y14.41-2003. THIS DRAWING SHALL BE USED WITH MODEL OF THE SAME NAME FOR COMPLETE PRODUCT DEFINITION.



UNLESS OTHERWISE SPECIFIED  
DIMENSIONS ARE IN INCHES  
TOLERANCES ARE:  
DECIMALS ANGLES  
X.X ± 0.2 IN X ± 2.0  
X.XX ± 0.020 IN X.X ± 0.5  
X.XXX ± 0.005 IN X.XX ± 0.1

MATERIAL  
SEE BOM  
FINISH  
N/A

DO NOT SCALE DRAWING

APPROVALS	DATE
DRAWN A. CHRISTENSEN	7/19/2018
ENGINEER A. CHRISTENSEN	7/19/2018
PROJECT MANAGER COLLIN LEWIS	7/19/2018
PRODUCTION COLLIN LEWIS	7/19/2018
RELEASED COLLIN LEWIS	7/19/2018

**BASE, MOPIT 5**

DWG. NO.  
**5003\_06.ASY\_BASE**

SIZE A SCALE 1:8 SHEET 1 OF 10

8 7 6 5 4 3 2 1

THE INFORMATION CONTAINED IN THIS DRAWING IS THE SOLE PROPERTY OF SPECTRUM INDUSTRIAL PRODUCTS. ANY REPRODUCTION IN PART OR WHOLE WITHOUT THE WRITTEN PERMISSION OF SPECTRUM INDUSTRIAL PRODUCTS IS PROHIBITED. ALL RIGHTS RESERVED © 2018

ITEM NO.	PART NUMBER	DESCRIPTION	QTY.	ITEM NO.	PART NUMBER	DESCRIPTION	QTY.
40	5026_05.SQG	SQUEEGEE	1	79	5094_01.SCRW	1/4-20 X 1-1/2 FLAT HEAD SCREW	4
41	5027_03.SQG_INSRT	SQUEEGEE INSERT	1	80	5001_03.BTMM_TNK	BOTTOM TANK	1
42	4174_01.SQG_BR_DFLCTR_WHL	DEFLECTOR WHEEL	2	81	5076_01.STFFNR	STIFFENER	1
43	4161_01.SQG_TP_WHL	SQUEEGEE BAR WHEEL	2	82	5077_01.SCRW	1/4-20 FLAT HEAD SCREW	4
44	5028_01.THMB_SCRW	PLASTIC THUMB SCREW, 1/4-20	4	83	5006_03.PLLY_CVR	PULLEY COVER	1
45	5029_01.THMB_SCRW	PLASTIC THUMB SCREW, 10-32	2	84	5058_01.LTCH	LATCH	3
46	4187_SCRW	SCREW 10-24 X 1/2 BUTTON HEAD	12	85	5059_01.SPN_WLD_FTNG	1/4 NPT SPIN WELD FITTING	2
47	5030_01.SLND	SOLENOID	1	86	4154_01.FLL_GAGE_ELBW	FILL GAGE ELBOW	2
48	4133_01.FLTR_ASSY	FILTER ASSEMBLY	1	87	5060_01.FLL_GGE_TB	FILL GAGE TUBE	1
49	4144_01.CSTR	CASTOR	1	88	5061_01.VLV	VALVE	1
50	4173_NUT	3/8 - 16 NUT	1	89	5070_01.VCM_HS	VACUUM HOSE	1
51	4174_SCRW	SCREW 3/8 - 16 X 1 3/8	1	90	5071_02.SQG_HS	SQUEEGEE HOSE	1
52	4179_SPCR	SPACER	2	91	5075_01.SCRW	1/4-20 SOCKET HEAD SCREW	2
53	4146_01.HS_CTCH	HOSE CATCH	2	92	5078_01.DRN_PLG	1/2 NPT DRAIN PLUG	1
54	4188_SCRW	SCREW 10-24 X 1 BUTTON HEAD	2	93	5079_01.FLL_CP	FILL CAP	1
55	4178_SCRW	SCREW BUTTON HEAD	2	94	5082_01.FLL_SCRN	FILL SCREEN	1
56	4186_SCRW	SCREW 1/4 -20 X 1/2 BUTTON HEAD	4	95	5046_01.SCRW	10-24 HEX HEAD SCREW	7
57	5032_01.SCRW	1/4-20 X 1/4 BUTTON HEAD SCREW	2	96	5004_01.THRDD_INSRT	10-32 THREADED INSERT	7
58	5033_01.DWL_PN	1/8 X 1-1/4 DOWEL PPIN	2	97	5017_01.BTRY	BATTERY	1
59	4139_01.THRDD_INSRT	THREADED INSERT, 1/4-20 UNC	8				
60	5034_01.WNG_NT	5/16-18 STEEL WING NUT	1				
61	5035_01.FLTR_CLMP	FILTER CLAMP	1				
62	5036_01.VCM_MTR	VACUUM MOTOR	1				
63	5037_01.BLT	5/16-18 X 3/4 BOLT	1				
64	5038_01.NT	5/16-18 NYLOCK NUT	1				
65	5039_01.SPCR	UNTHREADED ALUMINIUM SPACER	1				
66	5040_01.LCK_WSHR	SPLIT LOCK WASHER	1				
67	5041_01.NYLN_SPCR	UNTHREADED NYLON SPACER	2				
68	5005_03.VCM_MNT	VACUUM MOUNT	1				
69	5042_01.THRDD_RD	1/4-20 X 4 THREADED ROD	3				
70	5043_01.SPCR	UNTHREADED ALUMINIUM SPACER	3				
71	4184_01.SQG_SPRNG	SQUEEGEE BAR SPRING	1				
72	5044_01.BTRY_BRCKT	BATTERY BRACKET	2				
73	5045_01.SCRW	10-24 X 1/2 PHILLIPS HEAD SCREW	1				
74	5046_01.SCRW	10-24 X 1/2 HEX HEAD SCREW	3				
75	5047_01.PCMN_WSHR	PACMAN WASHER	1				
76	5048_01.WSHR	WASHER 3/8 X 0.1	3				
77	5049_01.SCRW	10-24 X 3/4 HEX HEAD SCREW	1				
78	5050_01.SCRW	10-24 X 3/8 HEX HEAD SCREW	6				

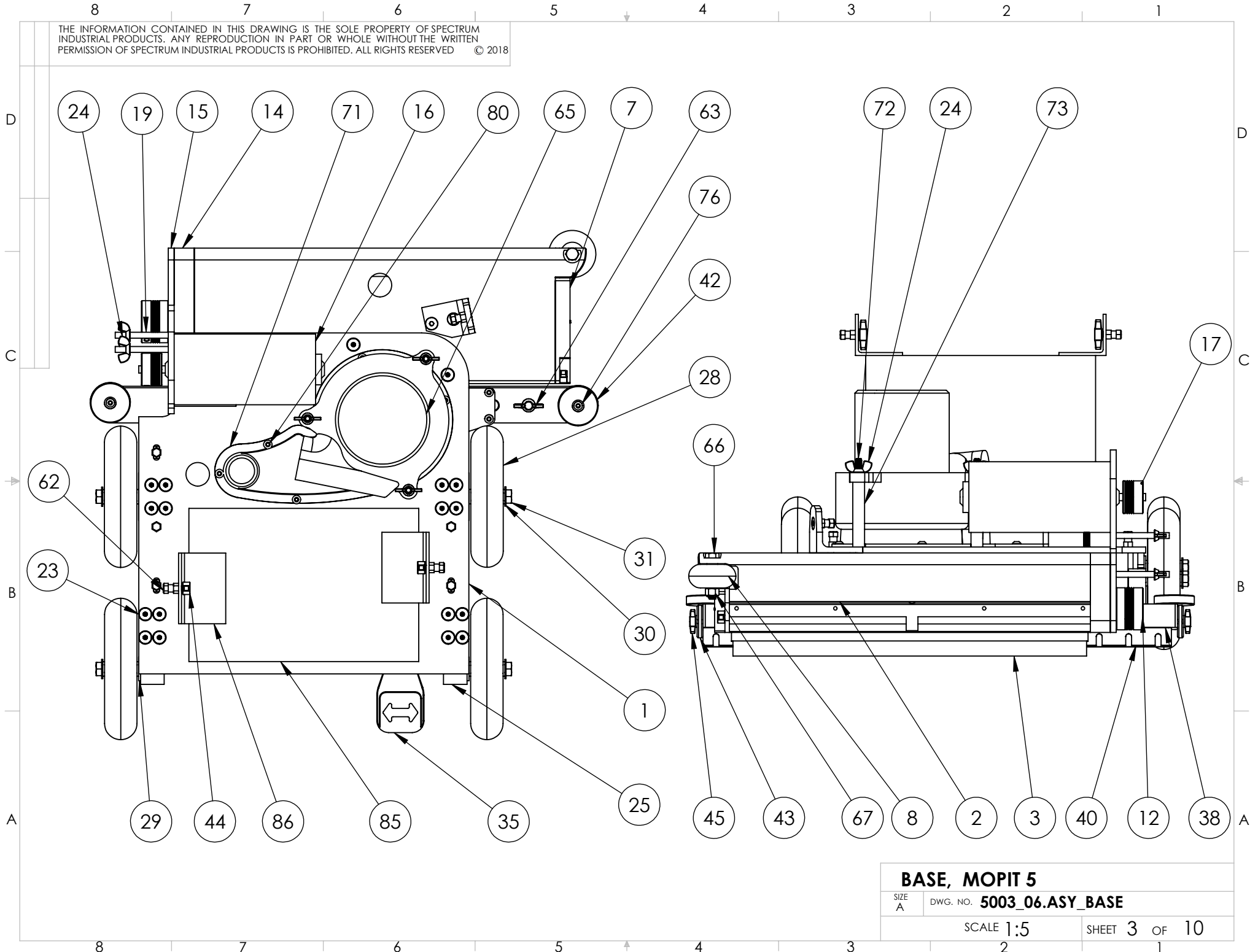
**BASE, MOPIT 5**

SIZE A DWG. NO. **5003\_06.ASY\_BASE**

SCALE 1:1

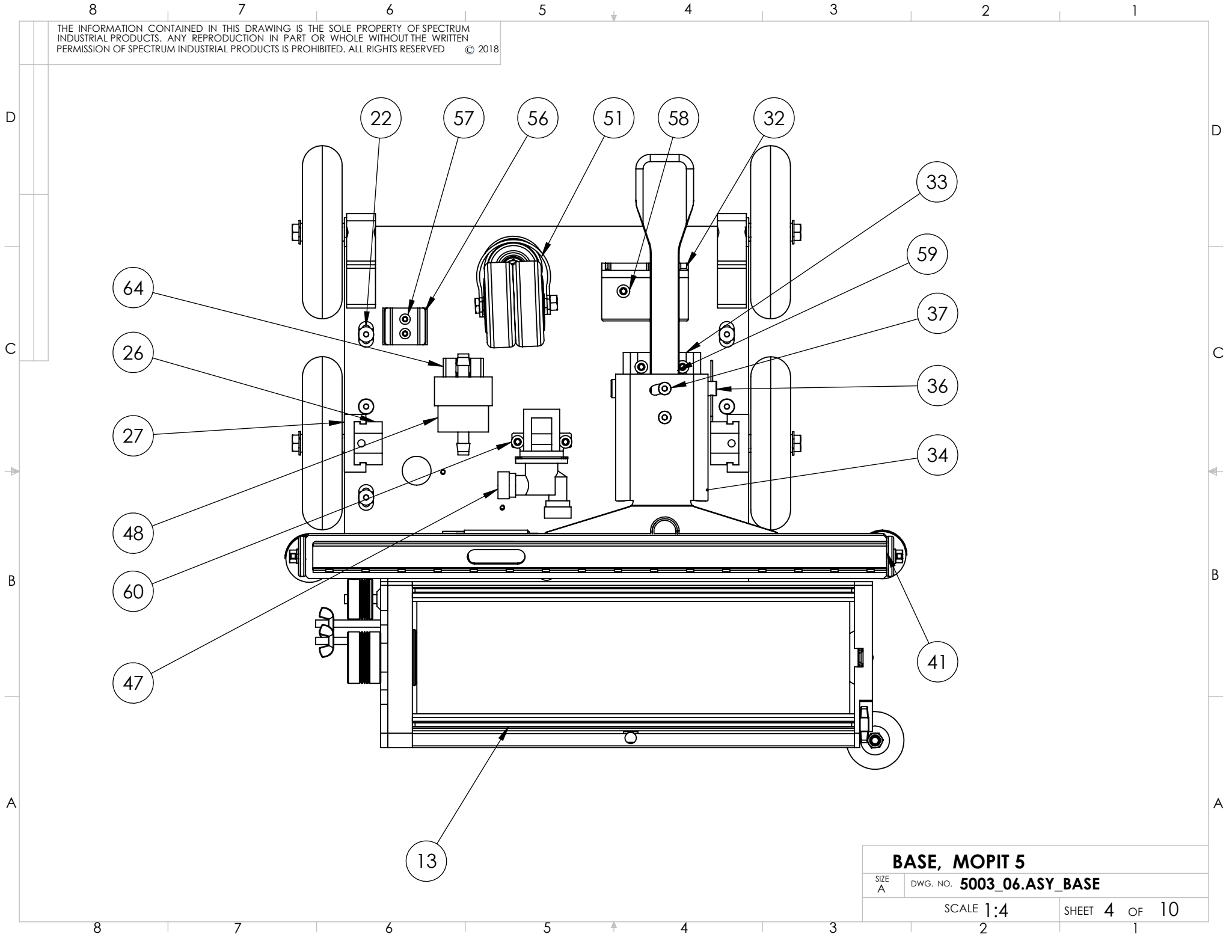
SHEET 2 OF 10

THE INFORMATION CONTAINED IN THIS DRAWING IS THE SOLE PROPERTY OF SPECTRUM INDUSTRIAL PRODUCTS. ANY REPRODUCTION IN PART OR WHOLE WITHOUT THE WRITTEN PERMISSION OF SPECTRUM INDUSTRIAL PRODUCTS IS PROHIBITED. ALL RIGHTS RESERVED © 2018



<b>BASE, MOPIT 5</b>	
SIZE A	DWG. NO. <b>5003_06.ASY_BASE</b>
SCALE 1:5	
SHEET 3 OF 10	

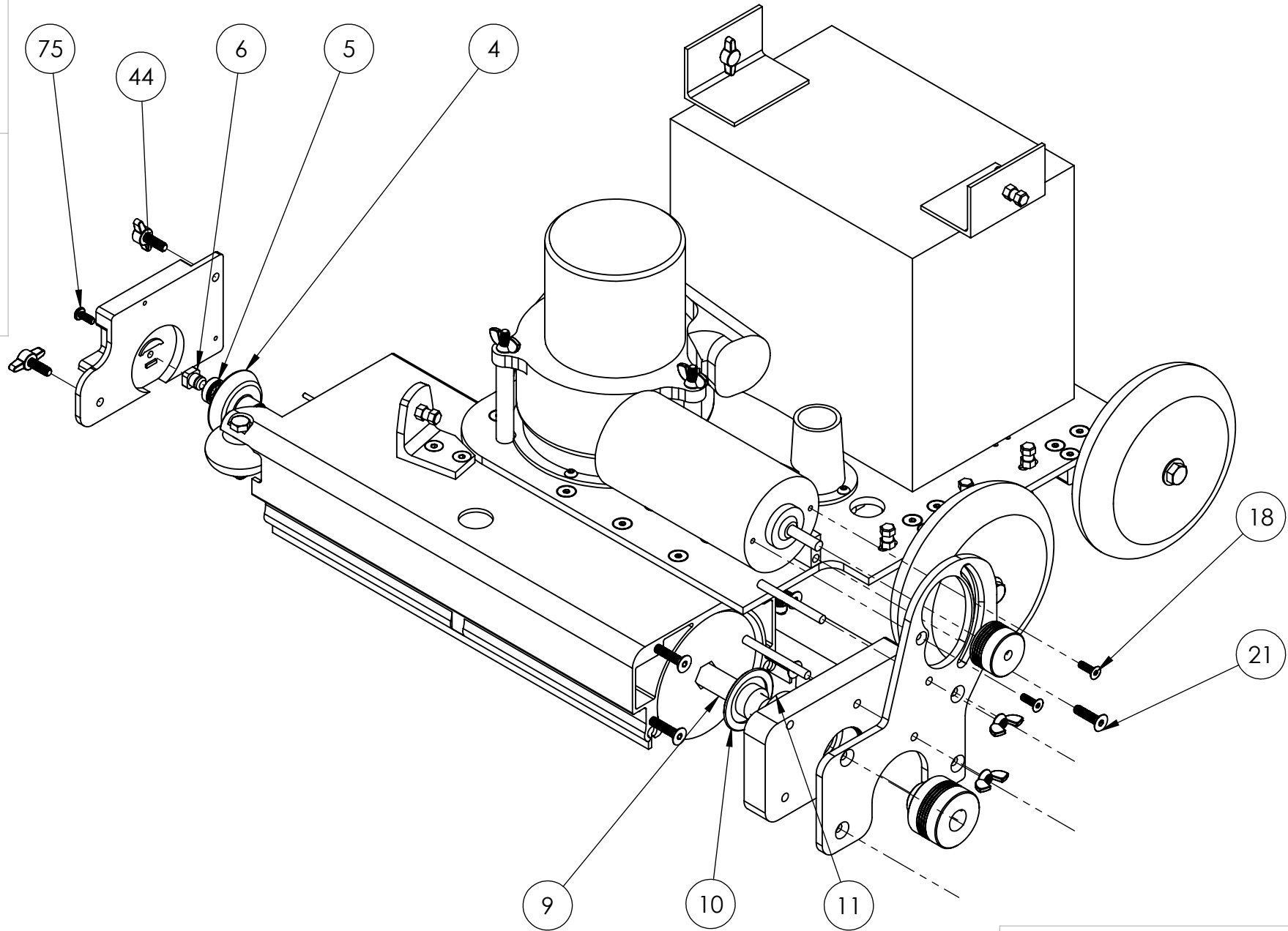
THE INFORMATION CONTAINED IN THIS DRAWING IS THE SOLE PROPERTY OF SPECTRUM INDUSTRIAL PRODUCTS. ANY REPRODUCTION IN PART OR WHOLE WITHOUT THE WRITTEN PERMISSION OF SPECTRUM INDUSTRIAL PRODUCTS IS PROHIBITED. ALL RIGHTS RESERVED © 2018



<b>BASE, MOPIT 5</b>	
SIZE A	DWG. NO. <b>5003_06.ASY_BASE</b>
SCALE 1:4	
SHEET 4 OF 10	

8 7 6 5 4 3 2 1  
D  
C  
B  
A

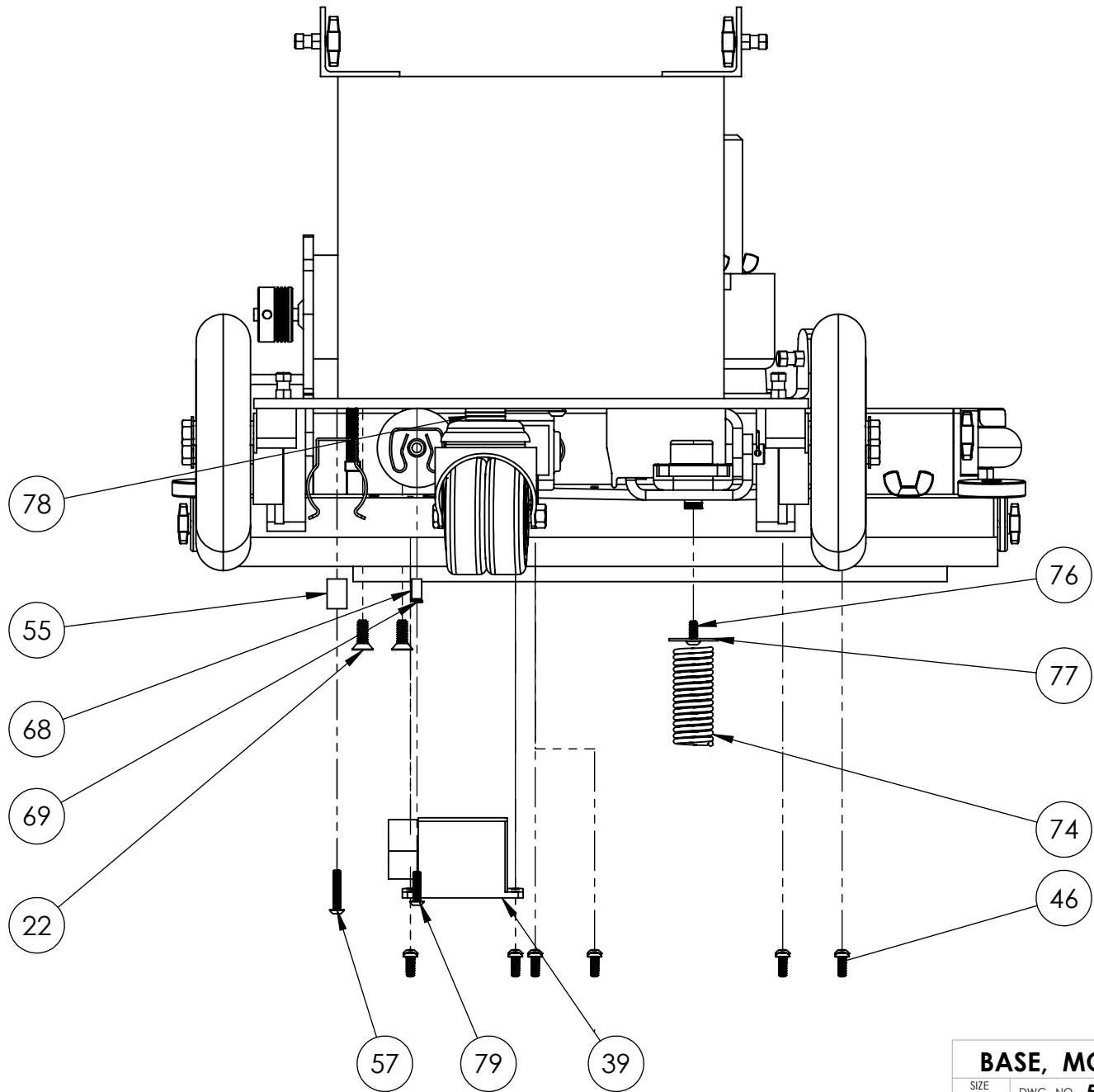
THE INFORMATION CONTAINED IN THIS DRAWING IS THE SOLE PROPERTY OF SPECTRUM INDUSTRIAL PRODUCTS. ANY REPRODUCTION IN PART OR WHOLE WITHOUT THE WRITTEN PERMISSION OF SPECTRUM INDUSTRIAL PRODUCTS IS PROHIBITED. ALL RIGHTS RESERVED © 2018



<b>BASE, MOPIT 5</b>	
SIZE A	DWG. NO. <b>5003_06.ASY_BASE</b>
SCALE 1:4	
SHEET 5 OF 10	

8 7 6 5 4 3 2 1

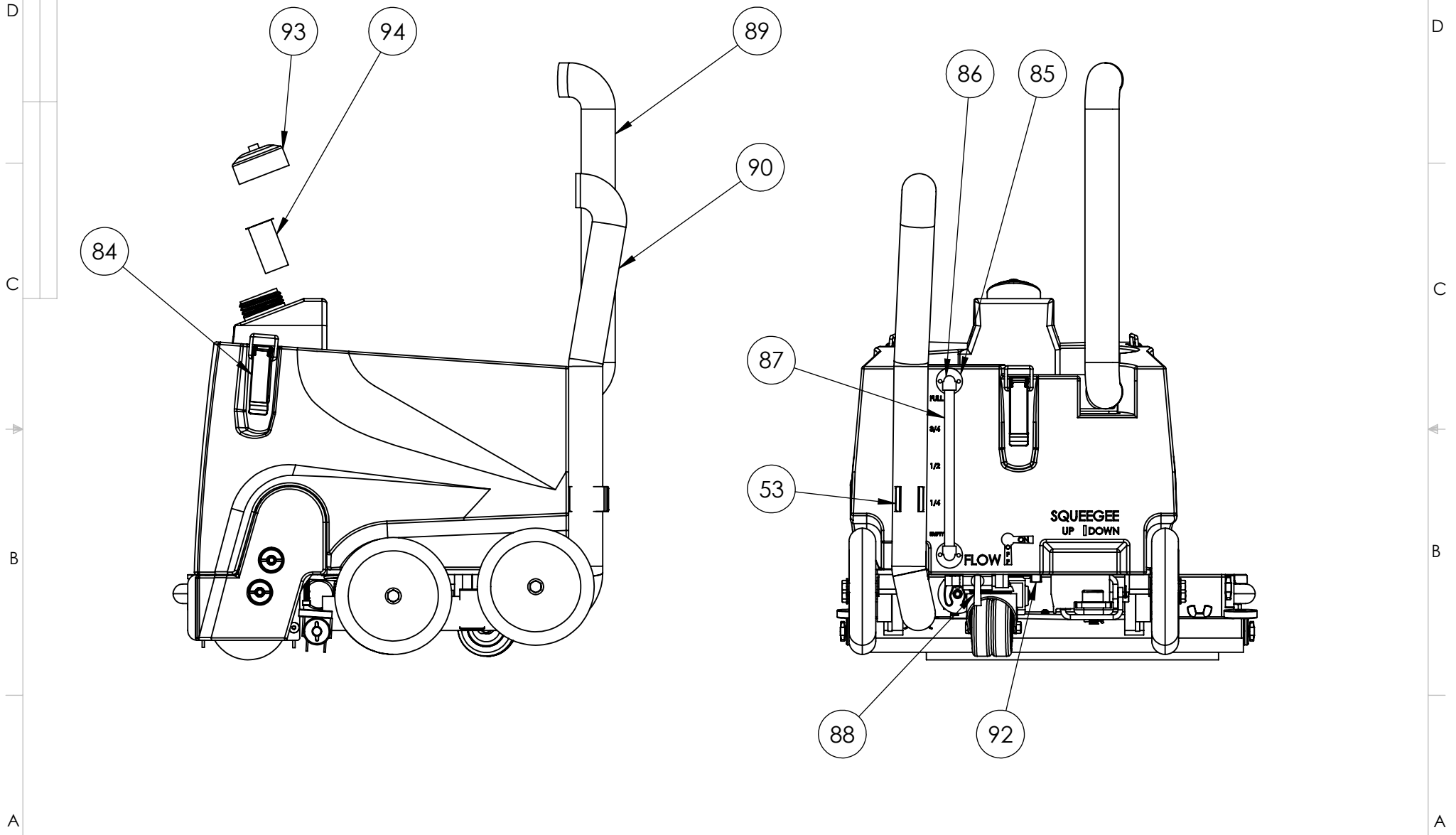
THE INFORMATION CONTAINED IN THIS DRAWING IS THE SOLE PROPERTY OF SPECTRUM INDUSTRIAL PRODUCTS. ANY REPRODUCTION IN PART OR WHOLE WITHOUT THE WRITTEN PERMISSION OF SPECTRUM INDUSTRIAL PRODUCTS IS PROHIBITED. ALL RIGHTS RESERVED © 2018



<b>BASE, MOPIT 5</b>	
SIZE A	DWG. NO. <b>5003_06.ASY_BASE</b>
SCALE 1:4	
SHEET 6 OF 10	

8 7 6 5 4 3 2 1

THE INFORMATION CONTAINED IN THIS DRAWING IS THE SOLE PROPERTY OF SPECTRUM INDUSTRIAL PRODUCTS. ANY REPRODUCTION IN PART OR WHOLE WITHOUT THE WRITTEN PERMISSION OF SPECTRUM INDUSTRIAL PRODUCTS IS PROHIBITED. ALL RIGHTS RESERVED © 2018

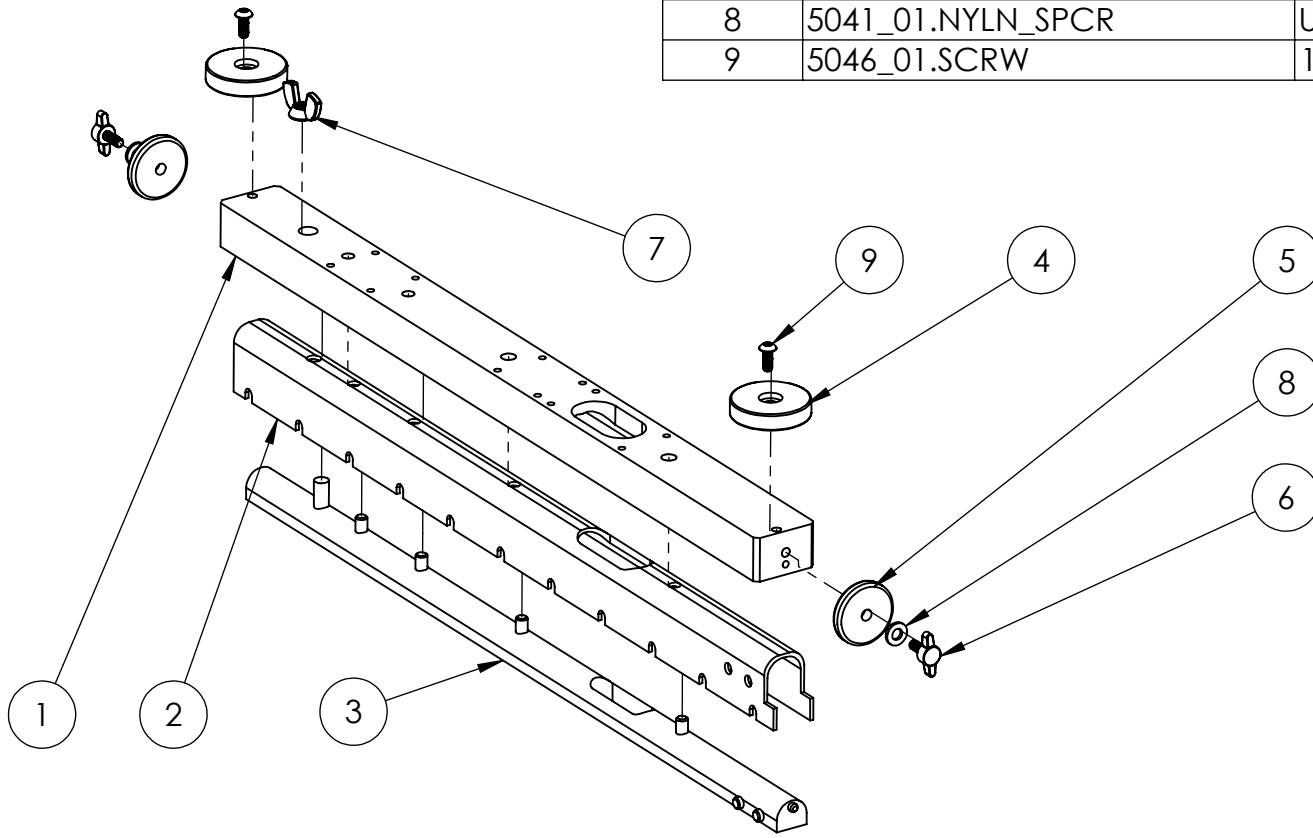


<b>BASE, MOPIT 5</b>	
SIZE A	DWG. NO. <b>5003_06.ASY_BASE</b>
SCALE 1:7	
SHEET 7 OF 10	

8 7 6 5 4 3 2 1

THE INFORMATION CONTAINED IN THIS DRAWING IS THE SOLE PROPERTY OF SPECTRUM INDUSTRIAL PRODUCTS. ANY REPRODUCTION IN PART OR WHOLE WITHOUT THE WRITTEN PERMISSION OF SPECTRUM INDUSTRIAL PRODUCTS IS PROHIBITED. ALL RIGHTS RESERVED © 2018

ITEM NO.	PART NUMBER	DESCRIPTION	QTY.
1	5025_03.SQG_BR	SQUEEGEE BAR	1
2	5026_05.SQG	SQUEEGEE	1
3	5027_03.SQG_INSRT	5/16 X 1 THREADED ROD	1
4	4174_01.SQG_BR_DFLCTR_WHL	DEFLECTOR WHEEL	2
5	4161_01.SQG_TP_WHL	SQUEEGEE BAR WHEEL	2
6	5029_01.THMB_SCRW	PLASTIC THUMB SCREW, 10-32	2
7	5034_01.WNG_NT	5/16-18 STEEL WING NUT	1
8	5041_01.NYLN_SPCR	UNTHREADED NYLON SPACER	2
9	5046_01.SCRW	10-24 X 1/2 HEX HEAD SCREW	2



**SQUEEGEE ASSEMBLY, MOPIT 5**

SIZE A	DWG. NO. <b>5003_06.ASY_BASE</b>
SCALE 1:4	
SHEET 8 OF 10	

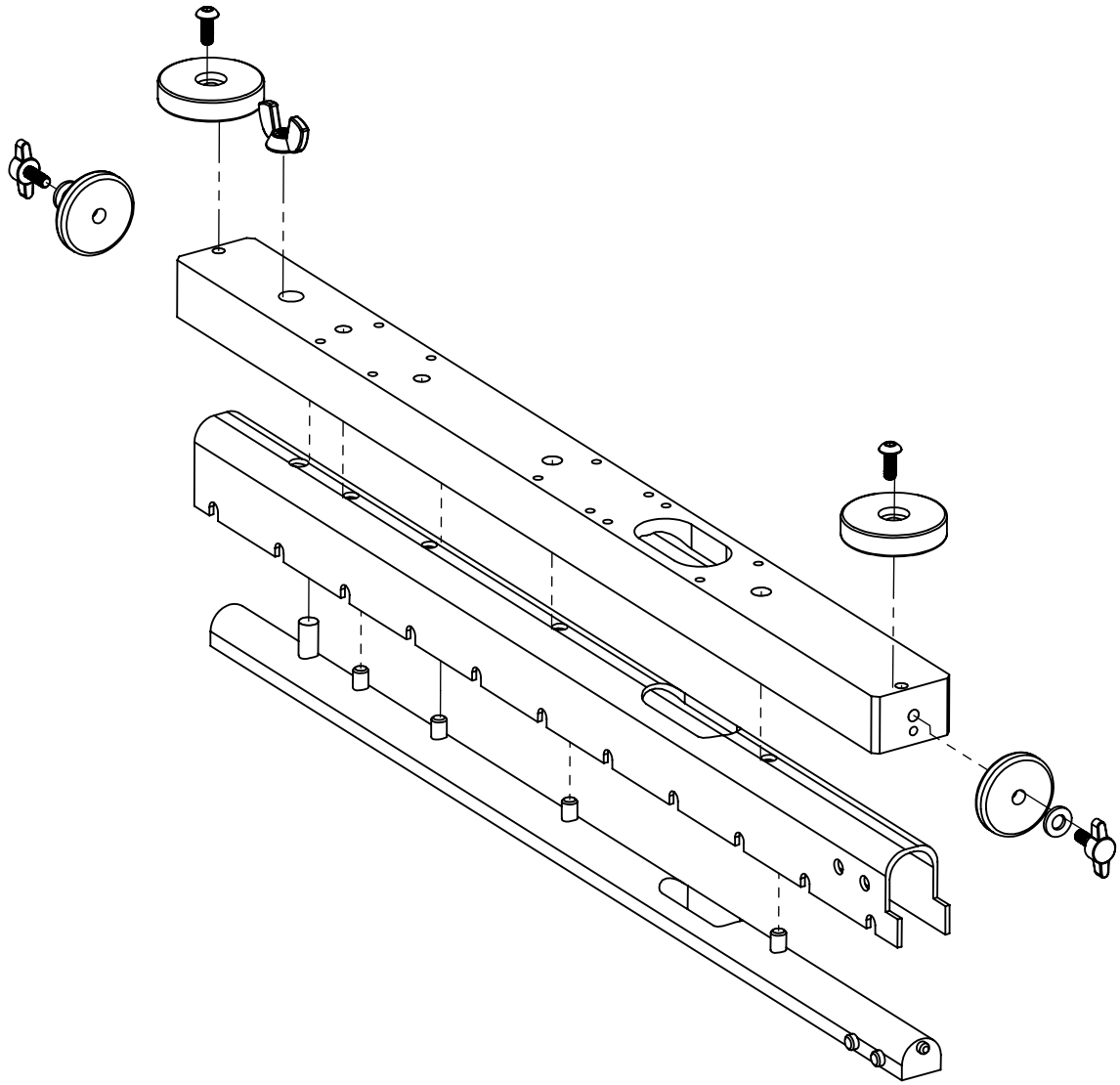


8 7 6 5 4 3 2 1

THE INFORMATION CONTAINED IN THIS DRAWING IS THE SOLE PROPERTY OF SPECTRUM INDUSTRIAL PRODUCTS. ANY REPRODUCTION IN PART OR WHOLE WITHOUT THE WRITTEN PERMISSION OF SPECTRUM INDUSTRIAL PRODUCTS IS PROHIBITED. ALL RIGHTS RESERVED © 2018

D  
C  
B  
A

D  
C  
B  
A

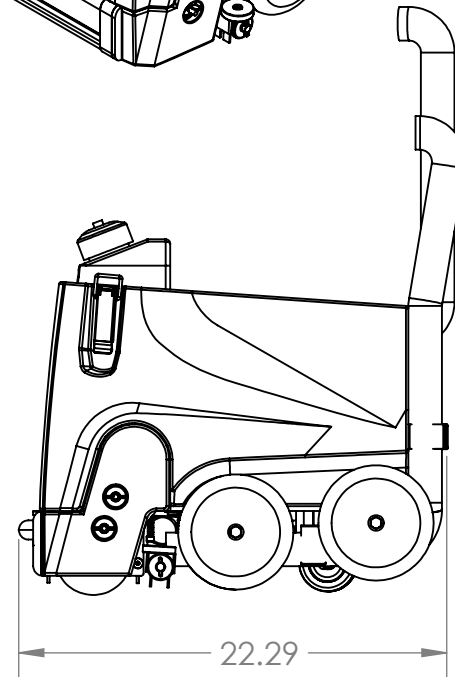
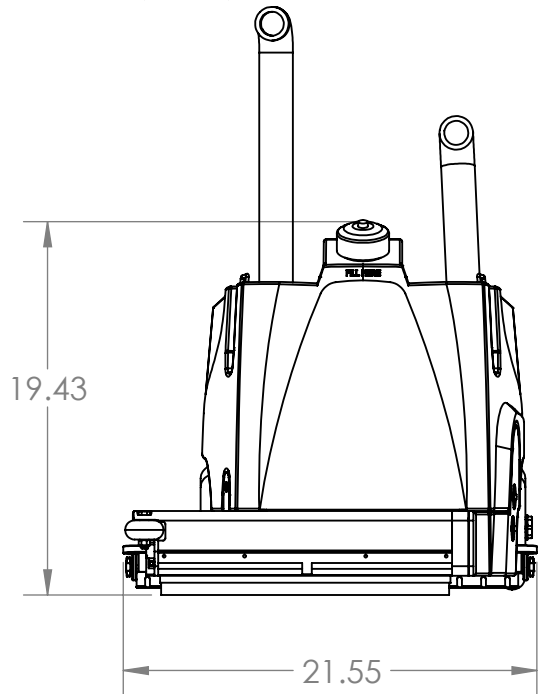
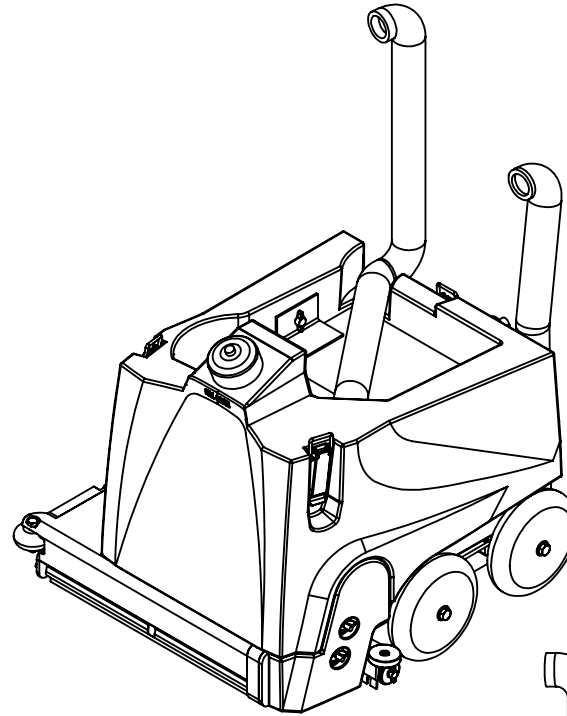
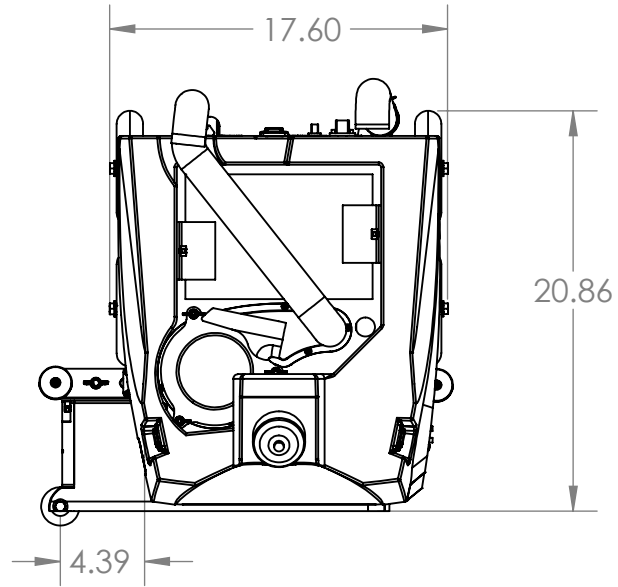


<b>SQUEEGEE ASSEMBLY, MOPIT 5</b>		
SIZE A	DWG. NO. <b>5003_06.ASY_BASE</b>	
SCALE 1:3		SHEET 9 OF 10

8 7 6 5 4 3 2 1

8 7 6 5 4 3 2 1

THE INFORMATION CONTAINED IN THIS DRAWING IS THE SOLE PROPERTY OF SPECTRUM INDUSTRIAL PRODUCTS. ANY REPRODUCTION IN PART OR WHOLE WITHOUT THE WRITTEN PERMISSION OF SPECTRUM INDUSTRIAL PRODUCTS IS PROHIBITED. ALL RIGHTS RESERVED © 2018



**BASE, MOPIT 5**

SIZE  
A

DWG. NO. **5003\_06.ASY\_BASE**

SCALE 1:10

SHEET 10 OF 10