

Installation Guide

Supported Products

All Spectrum 2.0 and Friendly Fibre products including:

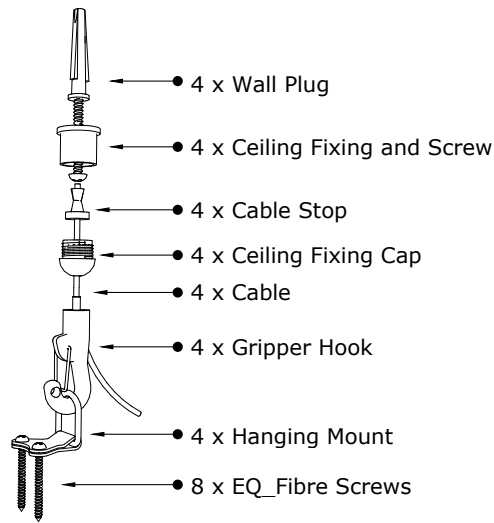
- Q5 Tile
- L5 Tile
- L10 Tile
- R4 Tile
- S5B Tile
- L10 Bass Trap

Glasswool and mineral fibre products are NOT supported

NOTE: We cannot guarantee the supplied fixings are suitable for all walls and ceilings. We recommend you consult a professional before you proceed.

Package Contents

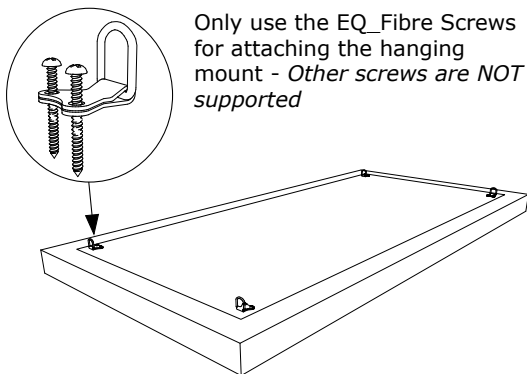
4 No. Assemblies,
Supports 1 Panel.



For Larger or custom panels you may need to increase the number of fixings

- 1 Position panel hanger mounts between 80mm and 250mm from panel edges

Measure and note positions of Hanger Mounts on panel.



Only use the EQ_Fibre Screws for attaching the hanging mount - Other screws are NOT supported

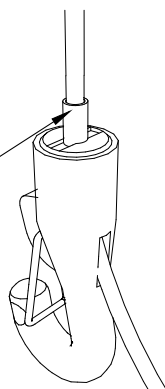
- 2 Transfer your measurements to the ceiling in the location you wish to fit the panel.

Determine positions for the Screw Eyes and fit them to ceiling



- 3 Adjust all wires to the same length through Gripper Hook in order for the panel to hang level

Press spring release to adjust wire back



- 4 Hook the panel hanger mounts onto the gripper hooks ensuring support until all 4 hooks are in place securing the panel. Adjust height as necessary.

