

Installation Guide

Supported Products

Spectrum 2.0 Tiles and Bass Traps with Flexi Backing, including:

- Q5 Tile
- L5 Tile
- L10 Tile
- L10 Bass Trap

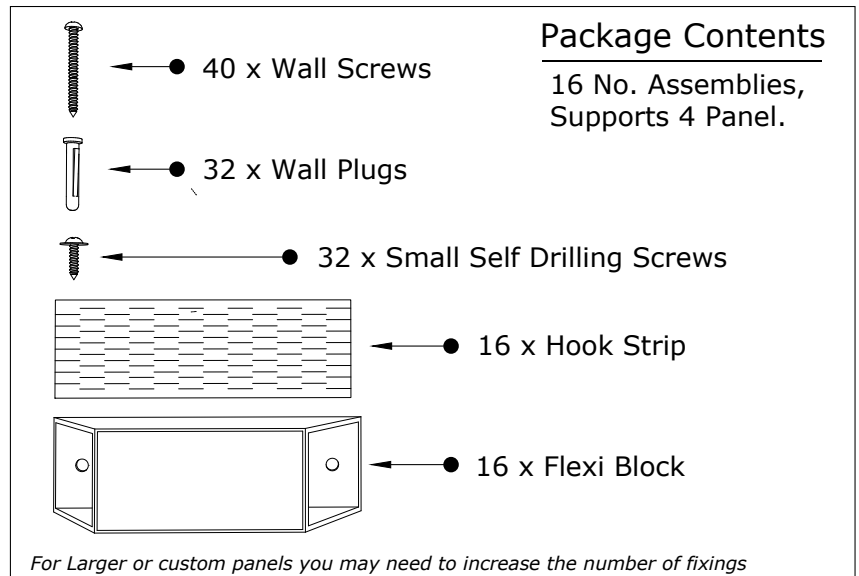
Wall mounting only, not suitable for ceilings.

Glasswool and mineral fibre products are NOT supported.

NOTE: We cannot guarantee the supplied fixings are suitable for all walls. We recommend you consult a professional before you proceed.

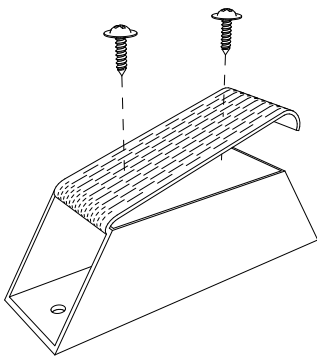
Package Contents

16 No. Assemblies,
Supports 4 Panel.



1

Fold ends of Hook strip round Block for stronger adhesion



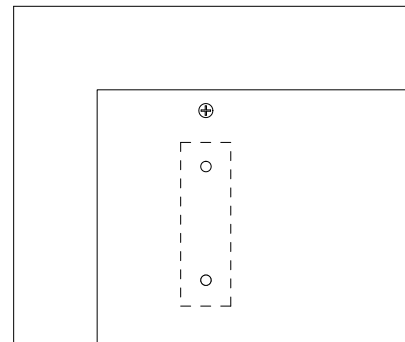
Apply pressure to activate adhesive.

Screw two Self Drilling Screws through Hook Strips and into Block.

We recommend allowing 48 hours for glue to cure before hanging mount

2

Screw on Flexi backing to above top fixing location to prevent peeling.



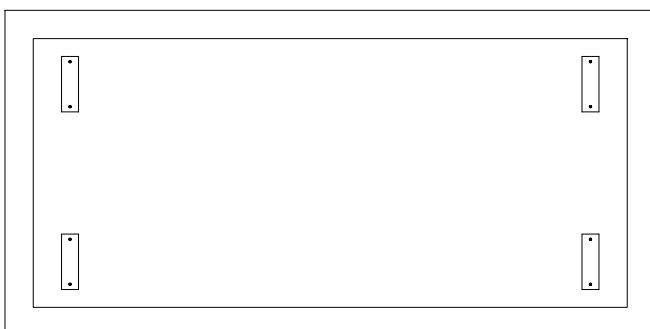
3

Attach Flexi Blocks to wall with Wall Screws aligned to black Flexi Backing on panels.

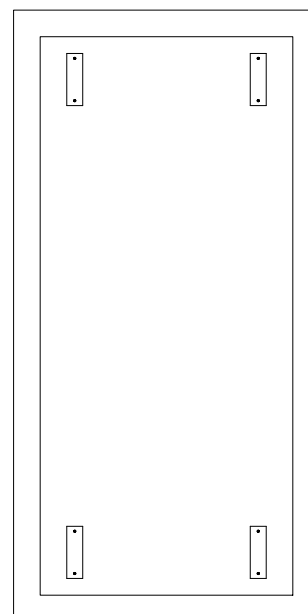
Before handling the panels wash your hands

Push panel onto gripper faces to fix into place.

Horizontal Orientation



Vertical Orientation



Warning;

Handling the black screws can dirty your hands.

Wash hands before handling panels