

# Installation Guide

## Supported Products

Spectrum 2.0 Tiles and Bass Traps with Flexi Backing, including:

L5 Tile  
L10 Tile  
L10 Bass Trap  
L10C Corner Bass Trap

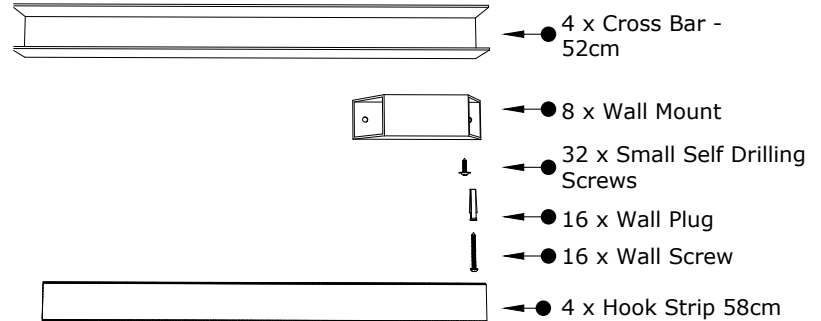
Wall mounting only, not suitable for ceilings.

Glasswool and mineral fibre products are NOT supported.

NOTE: We cannot guarantee the supplied fixings are suitable for all walls. We recommend you consult a professional before you proceed.

## Package Contents

4 No. Assemblies,  
Supports 2 Panels.

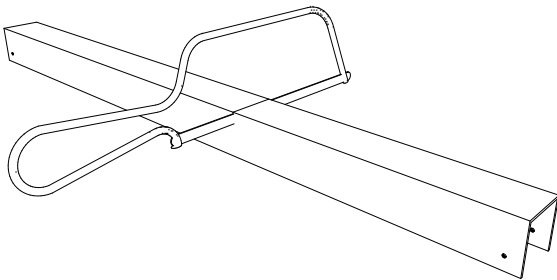


For Larger or custom panels you may need to increase the number of fixings

**1**

L10C Corner Bass Trap **Only**

Cut Cross Bars down to 32.5cm



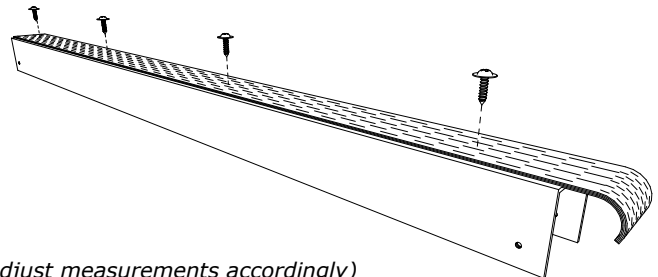
**2**

Fix hook strips to outside face of Cross Bar as shown.

Fold ends of hook strip round for stronger adhesion

Apply pressure to activate adhesive.

*We recommend allowing 48 hours for glue to cure before hanging mount*



**3**

**Fixing wall mounts for 45° position.** (For alternative angles adjust measurements accordingly)

Locate where you wish to mount the panel and measure down 17.5 cm from the top edge and mark a horizontal line (n) on the wall.

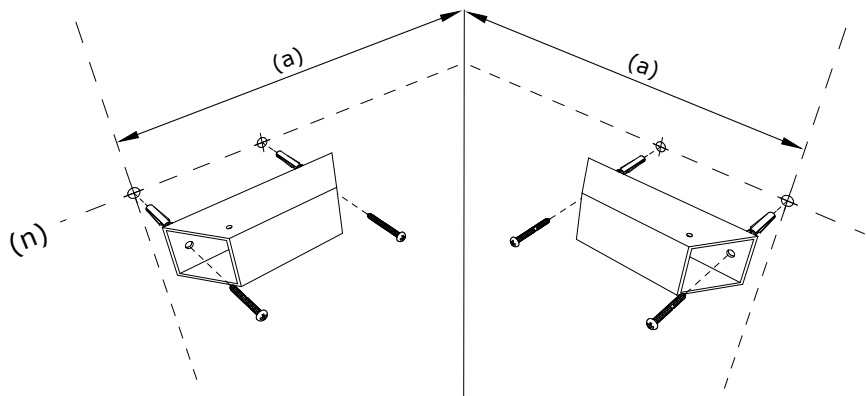
To locate the hole centres for the Wall Mount Screws, measure out from the corner in line with (n) using the listed measurements for your particular product.

L10 Tile and L10 Bass Trap  
(a) = 38.5 cm

L10C Corner Trap  
(a) = 25.2 cm

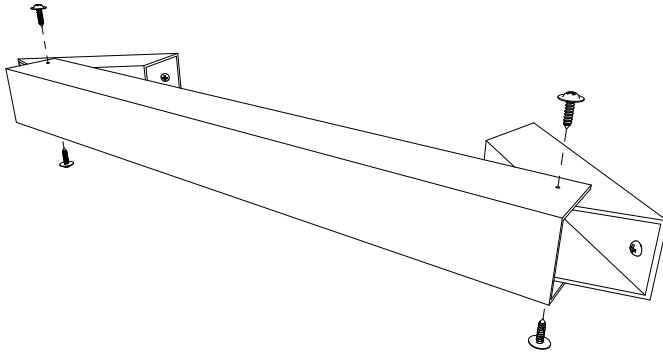
Measure down 80 cm and use the same measurements to locate the hole centres for the lower wall mounts.

*When fitting wall mounts ensure the pilot holes are furthest from the corner.*



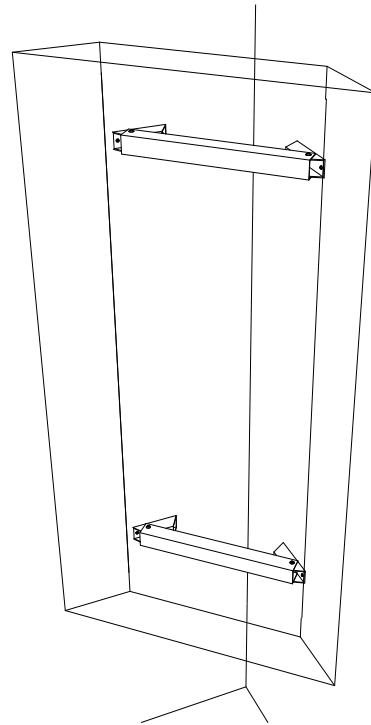
4

Attach the Cross bars to the Wall Mounts as shown



5

Push the Panel firmly onto the brackets



For horizontal mounting of tiles and traps where the wall meets the ceiling, use our "**Corner Bracket Wall:Ceiling**" system.

