

Installation Guide

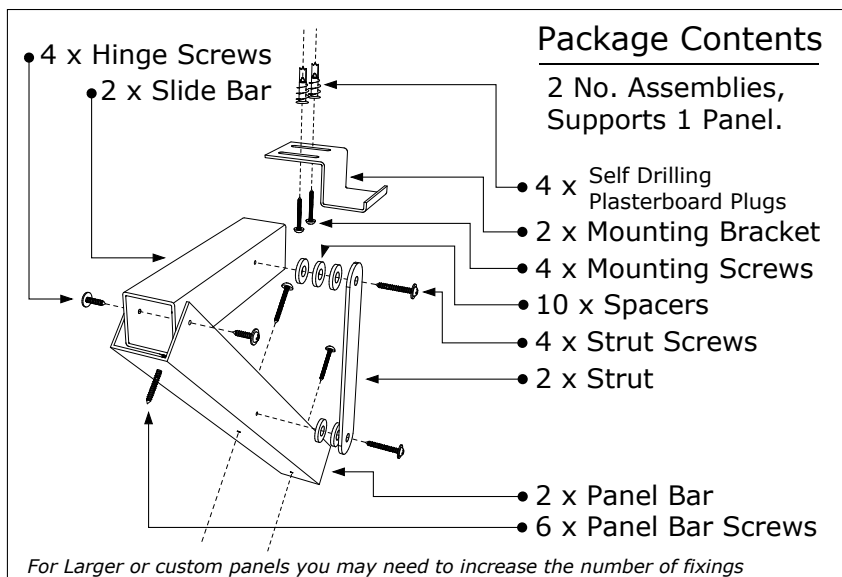
Supported Products

Spectrum 2.0 Tiles and Bass Traps Including:

- L5 Tile
- L10 Tile
- L10 Bass Trap
- L10C Corner Bass Trap

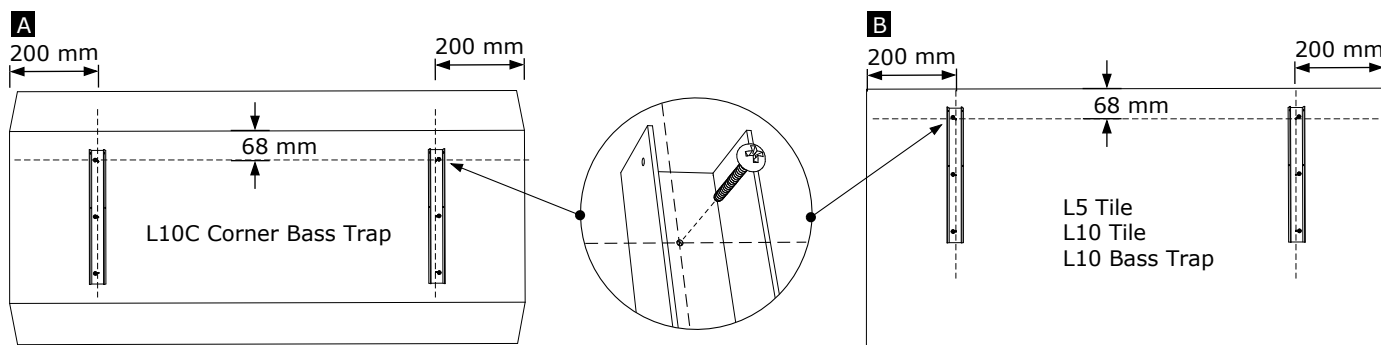
Glasswool and mineral fibre products are NOT supported.

NOTE: We cannot guarantee the supplied fixings are suitable for all ceilings. We recommend you consult a professional before you proceed.



1

Connect the panel bars to the back of the panel as shown in drawings **A** and **B**

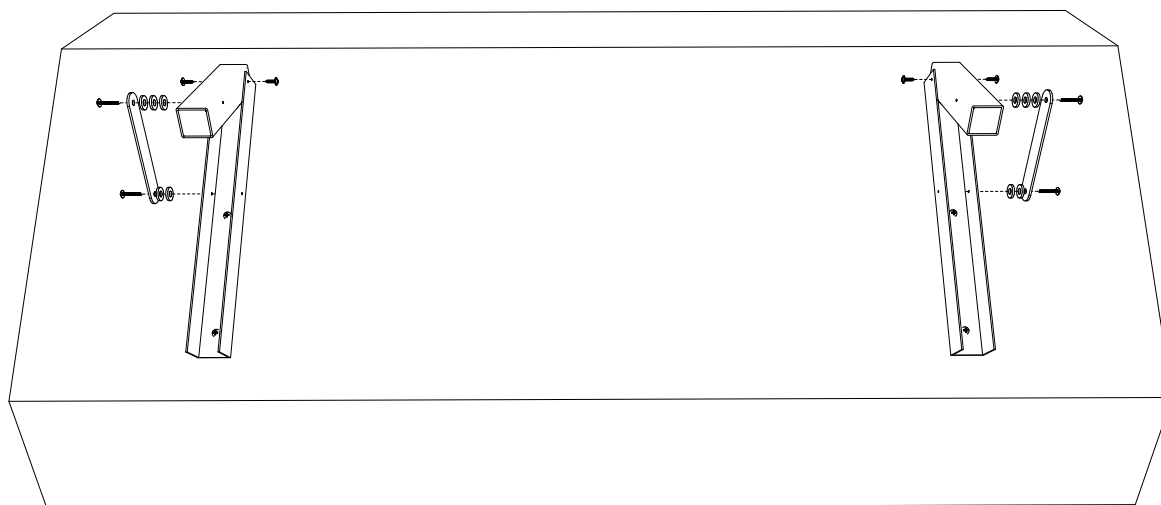


2

Once the panel bar is fixed to the panel, attach the slide bar and strut as shown below.

Ensure the fixings mirror each other with the strut on the outer sides.

3 No. spacers on slide bar; 2 No. on panel bar



4

Fix the mounting brackets to the ceiling using the relevant hole centre measurements for your panel. Make sure the orientation is as shown to the right.

L5 Tile, L10 Tile and L10 Bass Trap

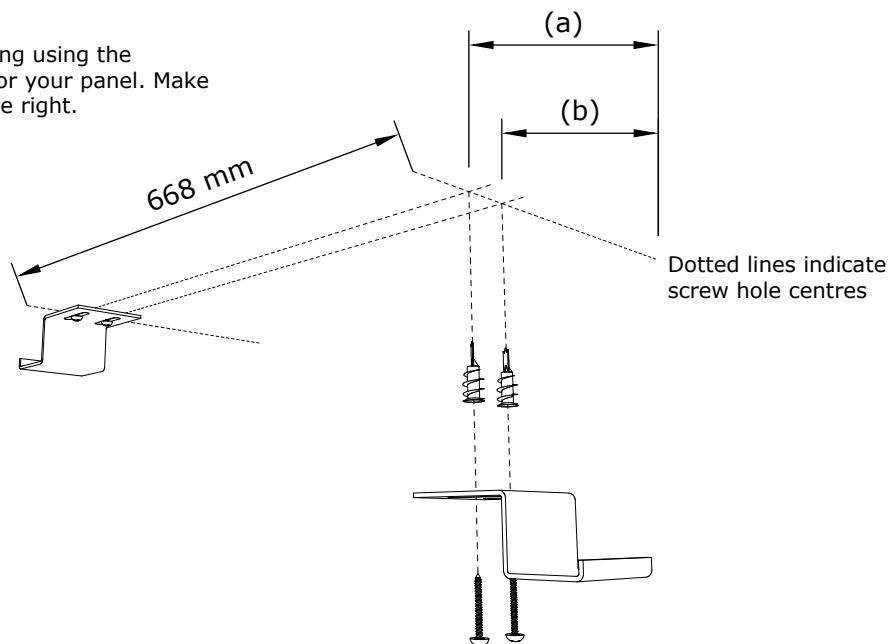
(a) = 311mm from wall

(b) = 286mm from wall

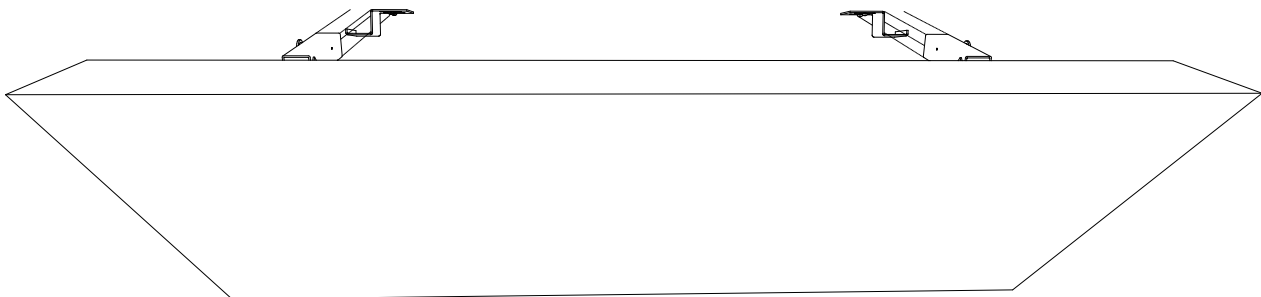
L10C Corner Bass Trap

(a) = 170mm from wall face

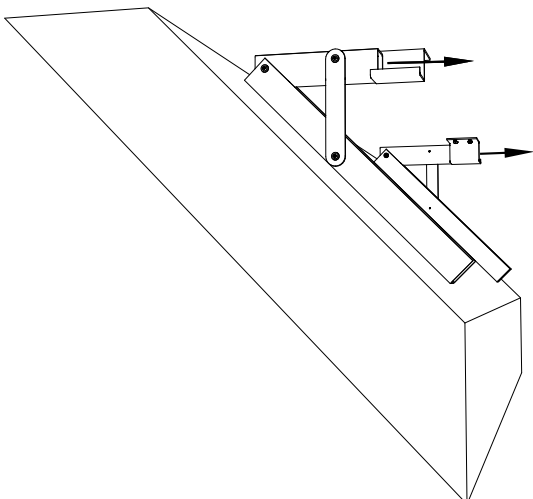
(b) = 145mm from wall face

**5**

When mounting the panel tilt the top back towards you in order to see the slide bars and align them with the mounting brackets channels.

**6**

Tilt the panel forward so that the slide bars can easily slide into the channel then push the panel back until it meets the wall.

**7**