

Installation Guide

Supported Products

Classic Wedge 30
Classic Wedge 60
Project Corner Trap
Project Corner Cube

For use on walls only, unsuitable for most ceilings.

NOTE: We cannot guarantee the supplied fixings are suitable for all surface types.

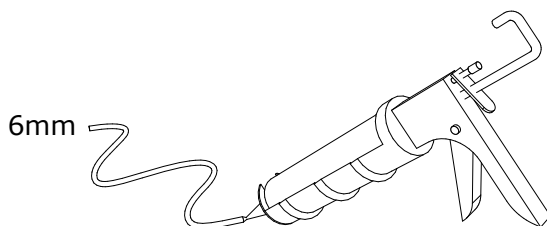
1

Ensure your walls are clean, dry and free from dust before starting

2

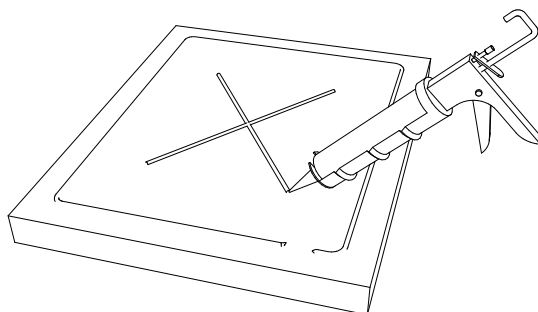
Cut tip off tube.

Cut tip off nozzle at 45° with approx 6mm opening



3 Apply adhesive to back of foam tile or trap 4cm from edges plus an X in the centre

For traps and cubes: Repeat this step for all mounting surfaces



4 Position foam on wall, apply pressure with a slight twisting motion for effective bond

Assembly Components

