

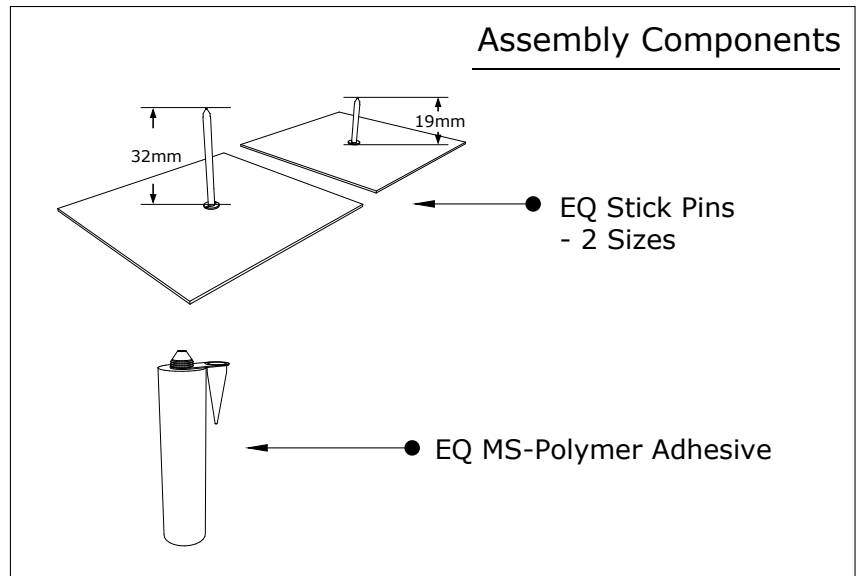
Trade Installation Guide

Supported Products

EQ_Tile - 25, 40 and 50 mm Thickness
 EQ_Disc - 25, 40 and 50 mm Thickness

For use on walls only, not suitable for ceilings.

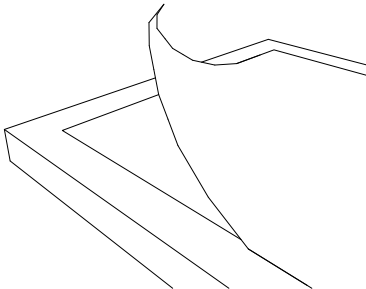
NOTE: We cannot guarantee the supplied fixings are suitable for all wall surfaces.



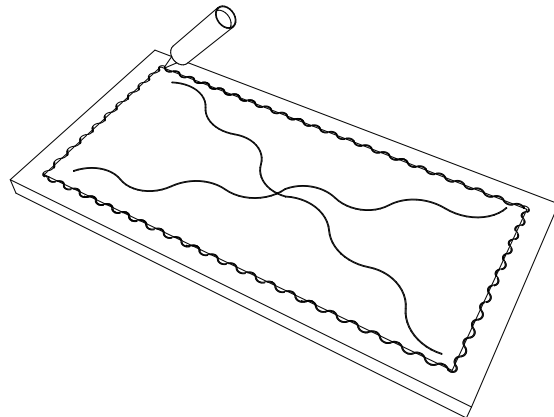
- 1 Choose the correct size Stick Pin for the Panel

25mm = 19mm Stick Pin
 40mm = 19mm Stick Pin
 50mm = 32mm Stick Pin

- 2 If the panel has a backing cloth you must remove it first in order to apply the adhesive to the bare fibre material of the panel.



- 3 Apply the Adhesive as shown.



- 4 Remove the self adhesive backing from the Stick Pins and apply them to the wall, positioning them according to the panel size and desired orientation at least 100mm from the panel edges.

The Stick Pins support the panel whilst the adhesive cures.



- 5 Align the panel accurately then carefully but firmly press the panel into position.

