

Trade Installation Guide

Supported Products

All Friendly Fibre products including:

EQ_Tile - 25, 40 and 50 mm Thickness

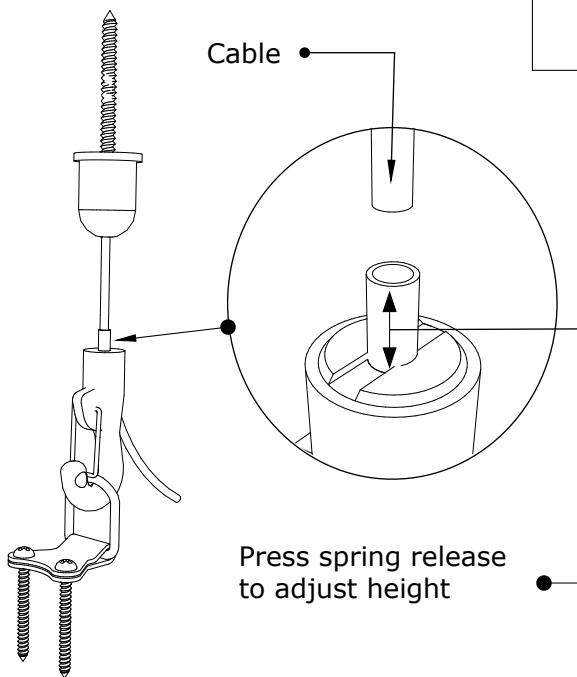
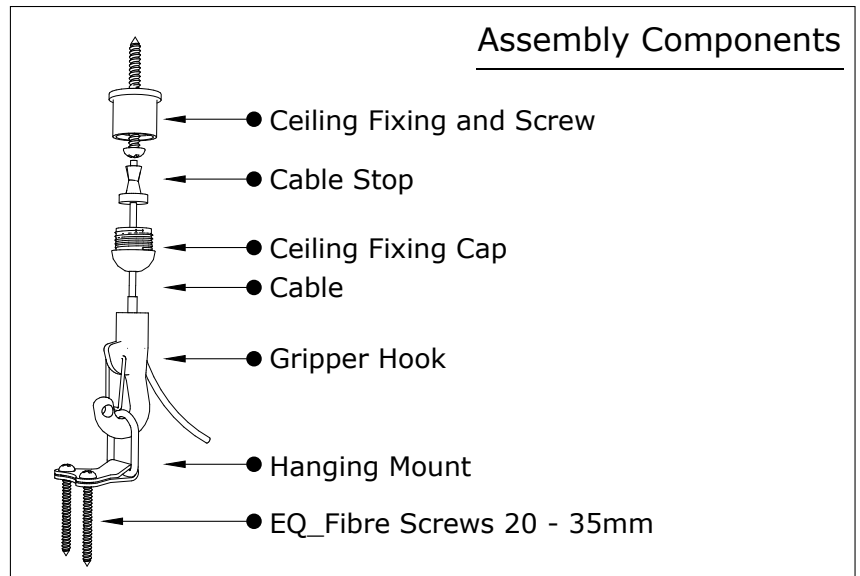
EQ_Disc - 25, 40 and 50 mm Thickness

Spectrum 2.0 Products

Glasswool and mineral fibre products are NOT supported

NOTE: We cannot guarantee the supplied fixings are suitable for all walls and ceilings.

Assembly Components

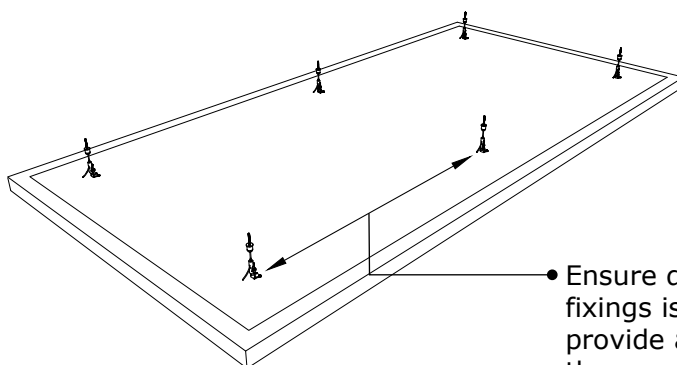
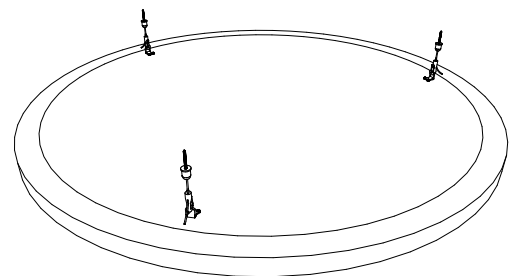


Position panel hanger mounts between 80mm and 250mm from panel edges

Only use the EQ_Fibre Screws for attaching the hanging mount - *Other screws are NOT supported*

Use suitable screw and plug to attach ceiling fixing

Set panel height with Gripper Hook



● Ensure distance between fixings is always under 1m to provide adequate support for the panel