

Trade Installation Guide

Supported Products

All Friendly Fibre products including:

EQ_Tile - 25, 40 and 50 mm Thickness

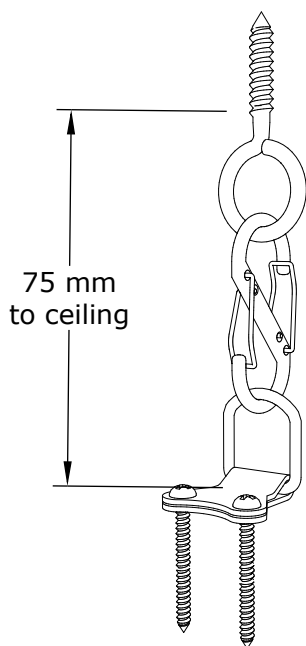
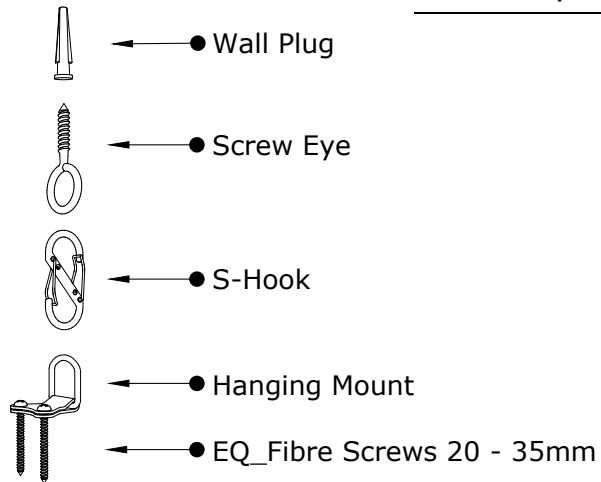
EQ_Disc - 25, 40 and 50 mm Thickness

Spectrum 2.0 Products

Glasswool and mineral fibre products are NOT supported

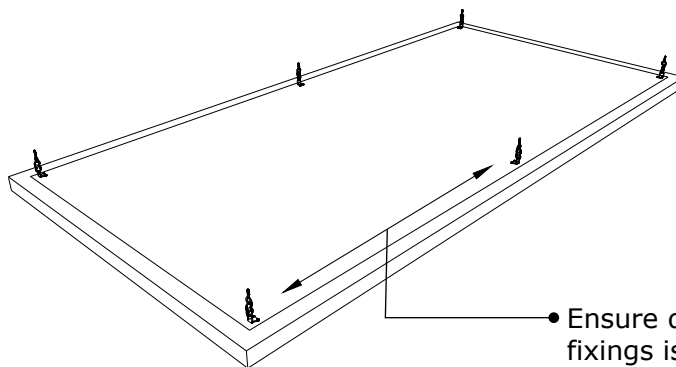
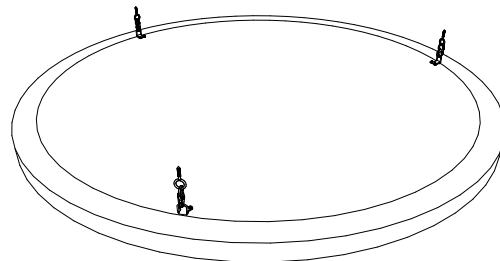
NOTE: We cannot guarantee the supplied fixings are suitable for all walls and ceilings.

Assembly Components



Position panel hanger mounts
80mm in from panel edges

Only use the EQ_Fibre Screws for
attaching the hanging mount -
Other screws are NOT supported



● Ensure distance between
fixings is always under 1m to
provide adequate support for
the panel