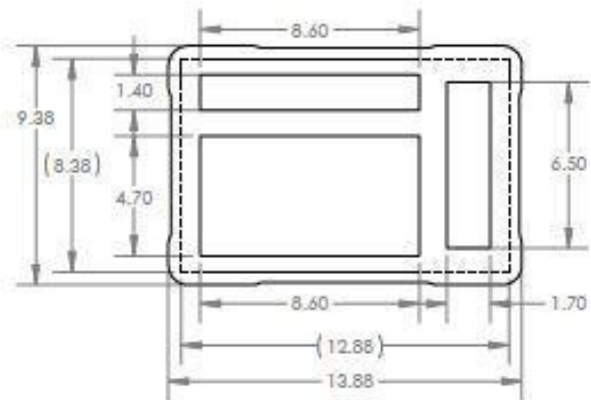


Perm-A-Store's **External Drive Turtle Cases** are designed to secure and protect external/solid-state/flash drives from physical damage and static charge.

Features:

- Precision cut antistatic foam holds drive securely
- Storage space for cables
- Heavy duty construction – crushproof, waterproof, and dustproof
- Stainless steel hardware prevents rust
- Double movement latches prevent accidental opening
- Ergonomic, easy to grip handle
- ATA Impact Certified
- Double padlockable
- Lifetime warranty
- COO: U.S.



ALL CAVITIES ARE 3.25 DEEP / NO PLUG

Capacity	1
Color	Black
Format	LaCie 2big RAID
Weight (lbs)	6
Dimensions	15.4" x 12.1" x 6.8"