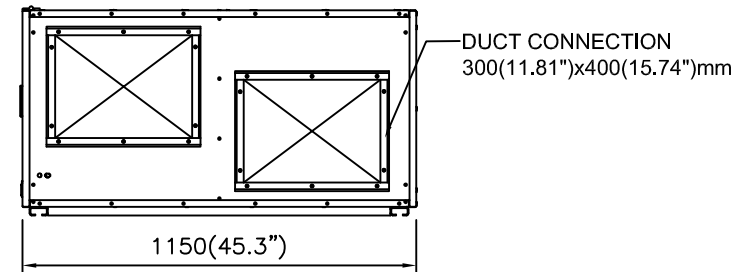
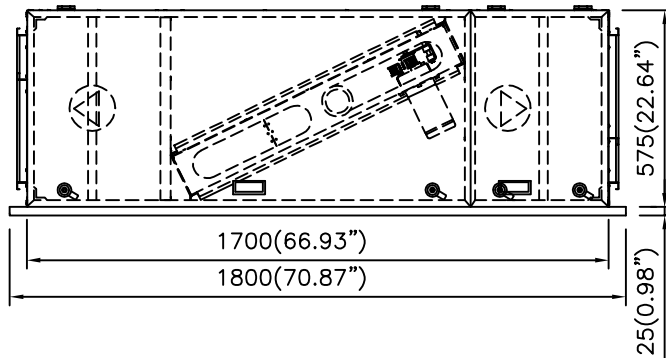


	SUPPLY AIR	EXHAUST AIR
AIR FLOW (CFM)	800	800
ESP (in.w.g.)	0.4	0.4
Fan Motor (KW)	0.35	0.35
HRW Drive Motor (KW)	0.04	
Supply Voltage	115V/1Ph/60Hz.	
Casing Material	22 Gauge Pre Coated	
Unit Weight	260 kgs. (Approx.)	



MINIMUM SERVICING SPACE REQUIRED - 1150mm(45.28in.) ON FRONT SIDE

IMPORTANT
THIS SUBMITTAL/DRAWING IS COPYRIGHT © 2023 DESICCANT ROTORS INTERNATIONAL PVT. LTD. THE PARTIAL OR TOTAL DUPLICATION AS WELL AS THE PASSING ON OF THIS DOCUMENT TO THIRD PARTIES (EXCEPT YOUR ENGINEERING CONSULTANT WITH A SIMILAR LIMITATION) IS SUBJECT TO THE EXPRESSED PERMISSION OF DESICCANT ROTORS INTERNATIONAL PVT. LTD.

REV.	MADE BY APPR. BY	DATE	DESCRIPTION OF CHANGE
REVISIONS			

DESICCANT ROTORS INTERNATIONAL Pvt. Ltd. 100-101, UDYOG VIHAR GURGAON		THIS DRG. IS THE PROPERTY OF DESICCANT ROTORS INTERNATIONAL AND IS NOT TO BE REPRODUCED WITHOUT THEIR WRITTEN PERMISSIONS
TITLE CERTIFIED UNIT OUTLINE DIAGRAM MODEL ERV-1500i		ALL DIMENSIONS ARE IN mm DRN. Vishal DATE 12.05.23 CHKD. DATE APPR. DATE
Project :-		ORDER No.: CUST.ORDER No.-
SCALE : NTS	SIZE- A ₄	DRG.No. : S-25290
		PAGE 1 OF 1