

15 : 00

---

estimated assembly +  
installation time



1 or more

---

people required

Ok, let's  
get started!



- Put on mood music!
- To prevent damage to product, use the clean side of package carton or rug as working surface for assembly.
- In the event of missing or damaged parts, delivery problems etc., please reach out to our team. We will be happy to fix the problem!

# care guide

- Clean regularly with a soft and dry cloth.
- To protect finish, avoid use of abrasive cleaners.
- Wipe up spills immediately. Please!

---

ⓘ **While assembling the product, tighten the bolts up to 50%. Once all parts are in place, only then fully tighten the bolts.**



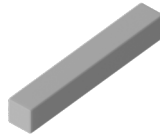
# product parts



G  
Frame

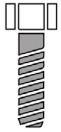


H  
Shelf



I  
Wall Support  
x2

# what's included



(A)-Bolt  
x4



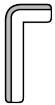
(D)-Wall Plug  
x2



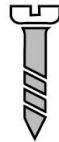
(B)-Washer  
x4



(E)-Screw  
x2



(C)-Allen key  
x1



(F)-Screw  
x2

## assembly instructions

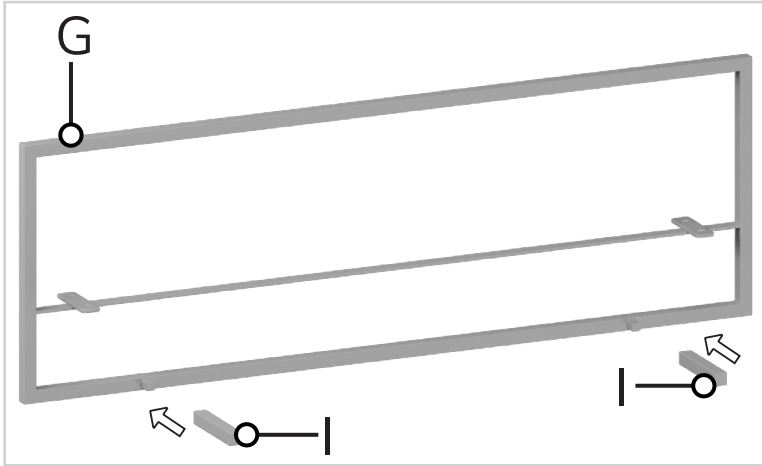
Friendly Tip: Take a deep breath going in. This may be a tricky part, but nothing too overwhelming. Just follow these steps to the T and the outcome will be worth it!



- ⓘ While assembling the product, tighten the bolts up to 50%. Once all parts are in place, only then fully tighten the bolts.

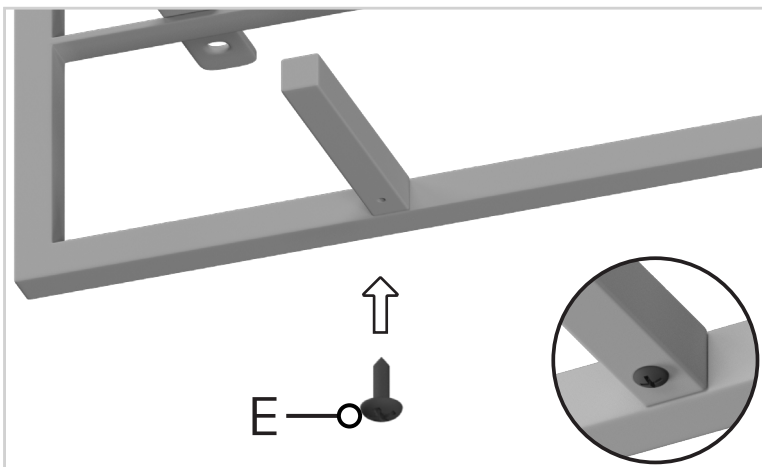
step 1:

Taking this image as reference, start by attaching wall supports (I) to the slots on frame (G).



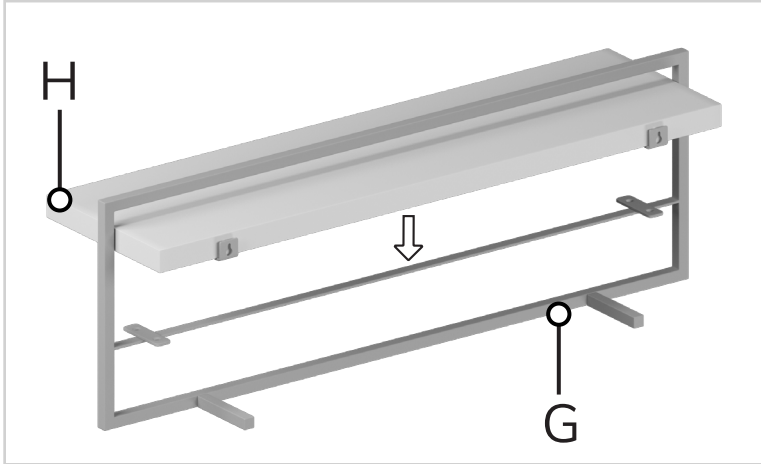
step 2:

Once attached, secure them in place using screws (E). Tighten them using a screwdriver.



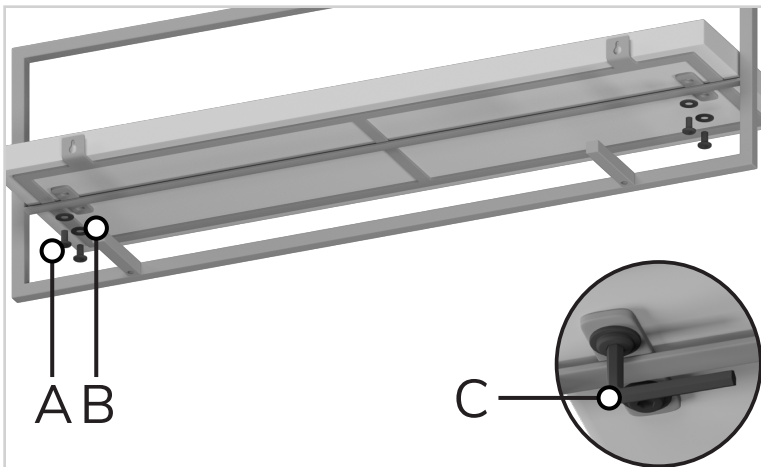
step 3:

Now, take shelf (H) and align it with its slots on frame (G).



step 4:

Secure shelf (H) in place using washers (B) and bolts (A) as shown in this image. Tighten all bolts (A) using allen key (C).







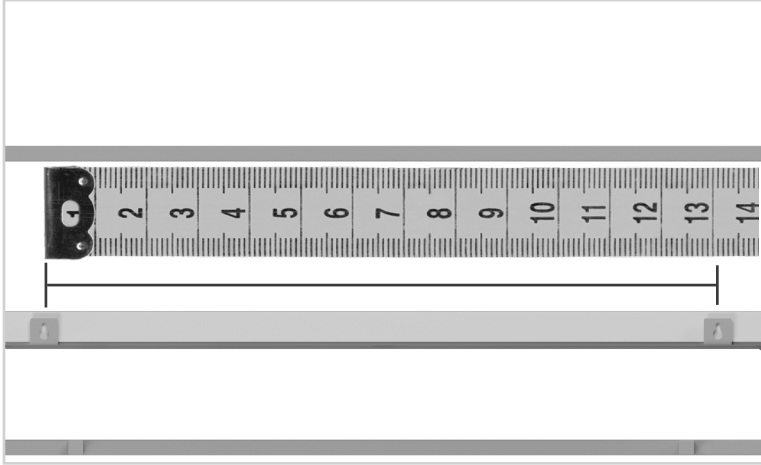
# installation instructions



- ⓘ While assembling the product, tighten the bolts up to 50%. Once all parts are in place, only then fully tighten the bolts.

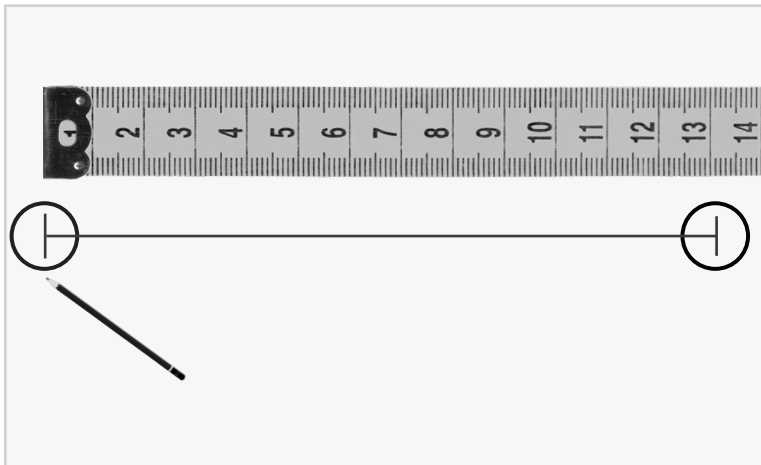
step 1:

Next, measure the distance between the two keyholes using a measuring tool.



step 2:

Place the measuring tool against the wall and make two marks where you want to mount the shelf.



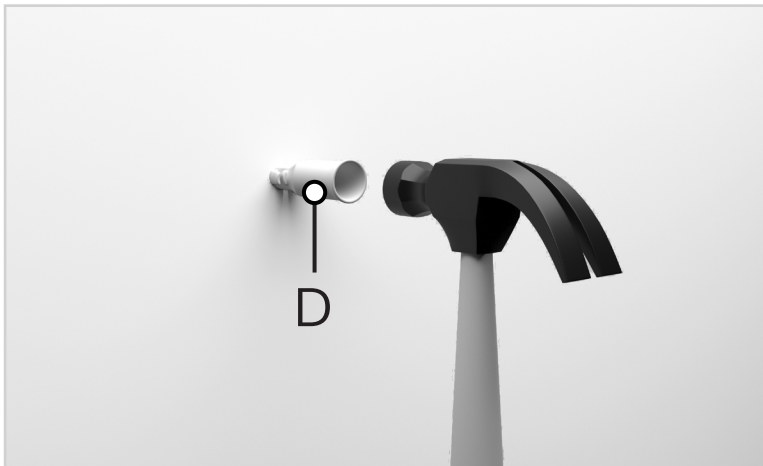
step 3:

Drill holes at the points you just marked.



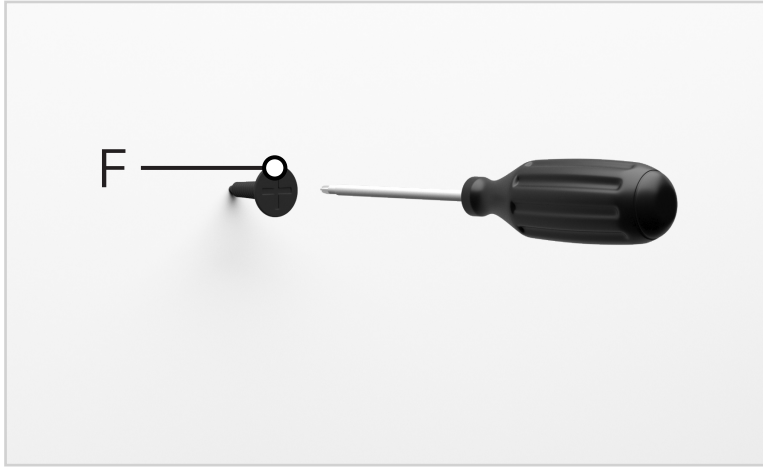
step 4:

Using a hammer, insert wall plugs (D) inside the holes.



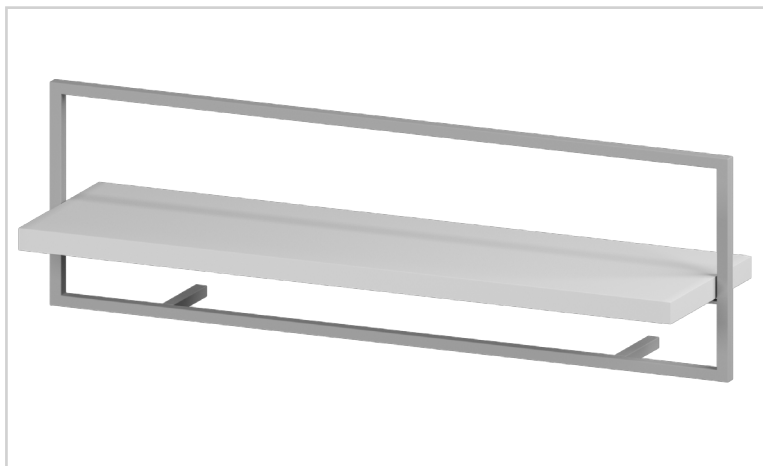
step 5:

Fix the screws (F) into the wall plugs. Use a screwdriver to make sure that they are secure.



step 6:

Hang the shelf by placing the keyhole slots over the screws.



---

**Voila! Your shelf is now assembled and secure!**

you've  
got  
a home  
with us

