



10 : 00

estimated
installation time



1 or more

people required

Ok, let's
get started!



- Put on mood music!
- To prevent damage to product, use the clean side of package carton or rug as working surface for assembly.
- In the event of missing or damaged parts, delivery problems etc., please reach out to our team. We will be happy to fix the problem!

care guide

- Clean regularly with a soft and dry cloth.
- To protect finish, avoid use of abrasive cleaners.
- Wipe up spills immediately. Please!

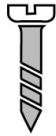


product
parts



(A)
Mirror
x1

what's included



(B)- Screw
x2



(C) - Wall Plug
x2

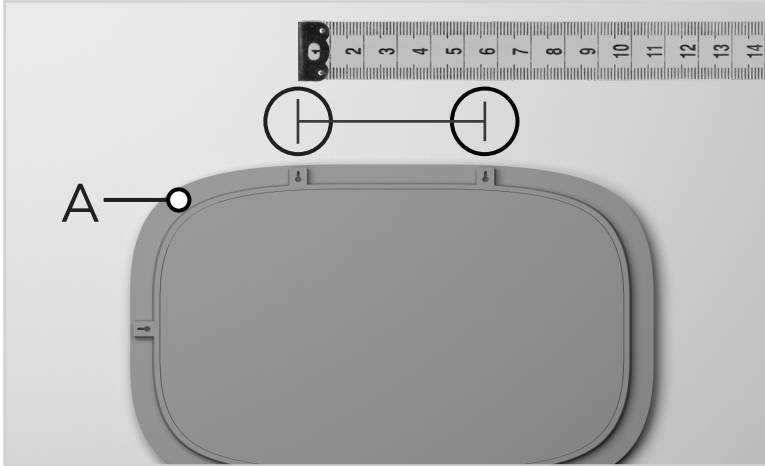
installation instructions

Friendly Tip: Take a deep breath going in. This may be a tricky part, but nothing too overwhelming. Just follow these steps to the T and the outcome will be worth it!



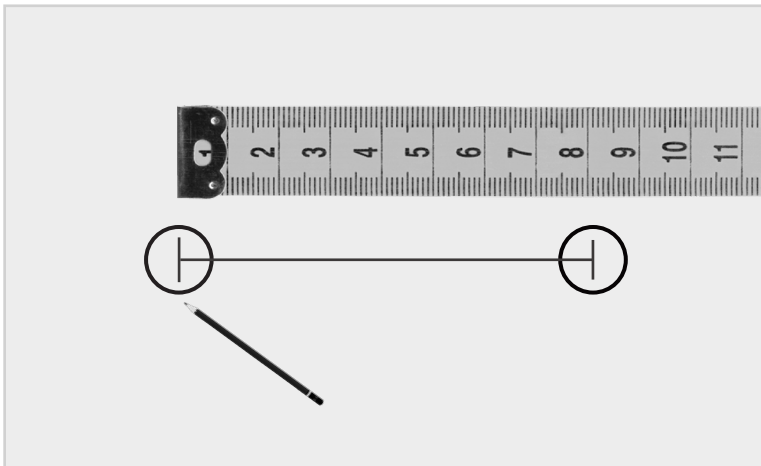
step 1:

Measure the distance between the two keyholes using a measuring tool.



step 2:

Place the measuring tool against the wall and make two marks where you want to mount the mirror.



step 3:

Drill holes at the points you just marked.



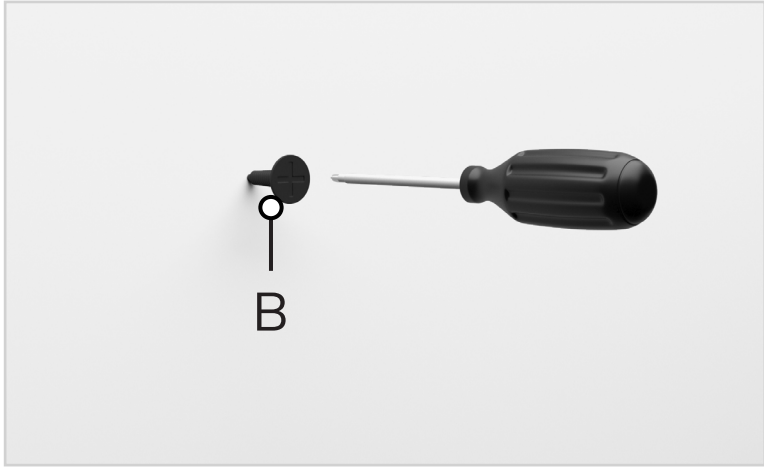
step 4:

Using a hammer, insert the wall plugs (C) inside the holes.



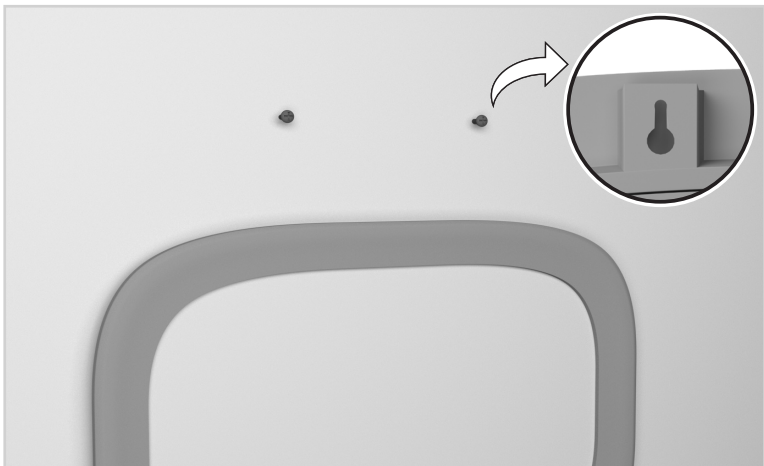
step 5:

Fix the screws (B) into the wall plugs (C). Use a screwdriver to make sure they are secure.



step 6:

Place the keyholes over the screws.



Voila! Your mirror is now installed and secure!

you've
got
a home
with us

