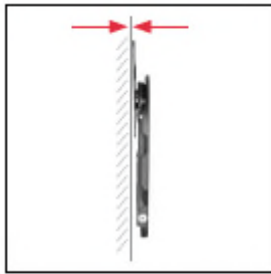
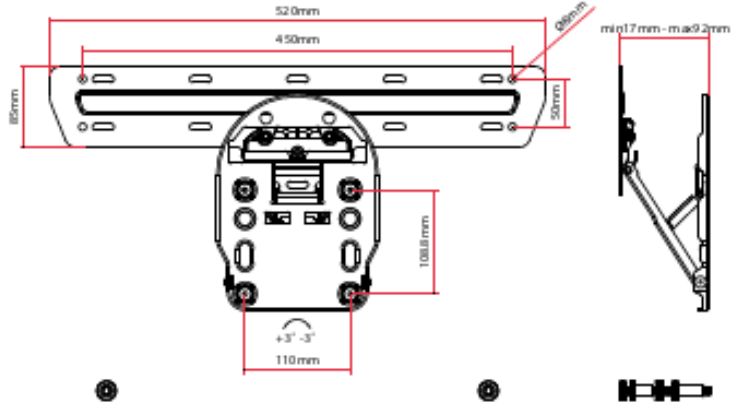
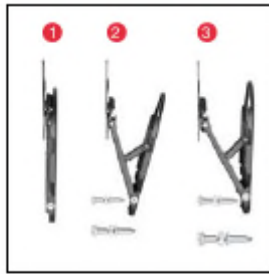


VSQ-LED1 SAMSUNG "Q" SERIES TV WALL MOUNT



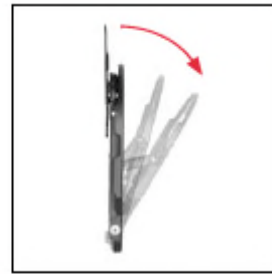
MICRO-GAP DESIGN

Saves valuable space and adds a clean modern look to your home



VARIOUS POSITIONS FOR PROFILE ADJUSTMENT

Provides easy access for installation



TOOL-LESS TILTING

Easily adjusts to any viewing angle



SIMPLE MINIMALIST DESIGN

Ensures easy and quick installation

MICRO-GAP WALL MOUNT FOR SAMSUNG "Q" SERIES OLED SCREENS

- Discreet mounting with absolute minimal gap for 49" to 65" Samsung Q series TV's
- Can be tilted without the need for any tools
- Weight capacity of 50Kg
- Comes with correct mounting hardware and retractable screws
- Comprehensive mounting instructions and wall plate mounting template
- $\pm 3^\circ$ level adjustment for screen