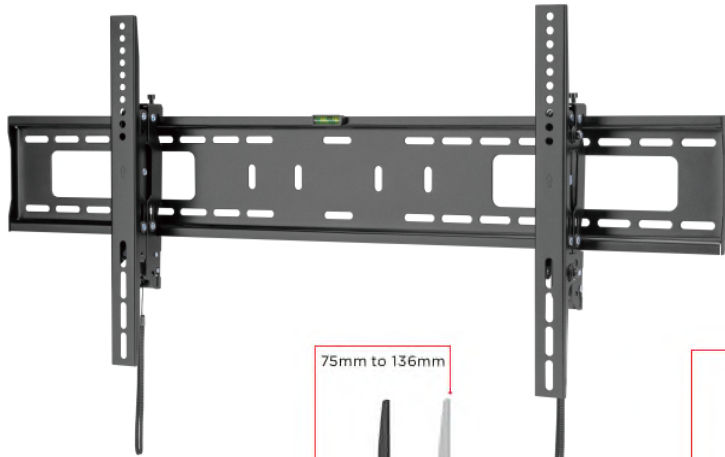




VPT-155

TILTING WALL MOUNT WITH EXTENSION & SECURITY FOR 50" TO 90" LCD/LED SCREENS



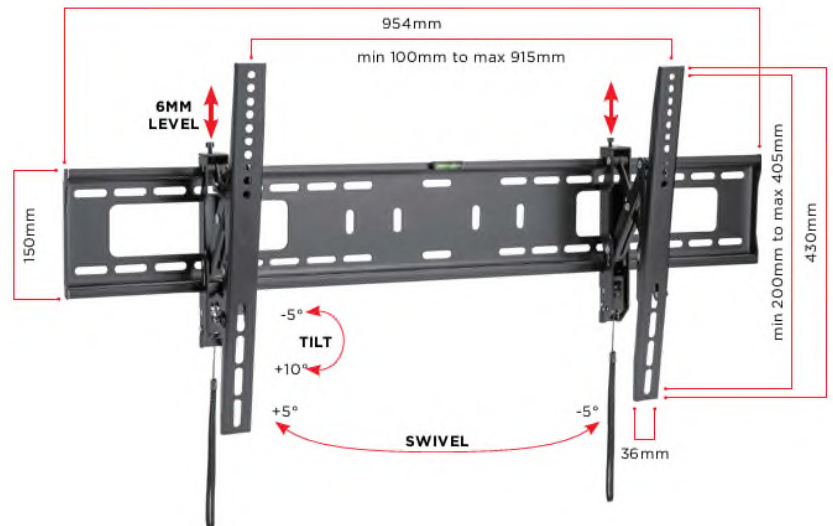
Vertical interface rails extend up to 136mm or can be individually extended to achieve up to 5° of swivel



Tilting or Extension or Both Option

VPT-155 can be set with 0 tilt or has up to 10° of tilt forward or 5° back.

Also have 6mm height adjustment for perfect level



MULTI FEATURE TILTING & EXTENDING HEAVY DUTY WALL MOUNT

- Ideal where a tilting mount is required - 10° forward or 5° backwards tilt
- Extension from minimum 75mm to maximum 136mm away from wall
- Extension of vertical interface rails can be done individually to achieve around 5° swivel
- Vertical rails have 6mm height adjustment for perfect levelling
- VESA mounting – 100 x 100 to 900 x 480 pattern
- Can be fitted with padlock for added security (padlock not included)
- Comes with comprehensive mounting kit including M4, M6, and M8 screen screws
- Twin stud mounting on 600 stud centre walls for totally secure installation
- Heavy duty, 75Kg (165lbs) maximum screen weight