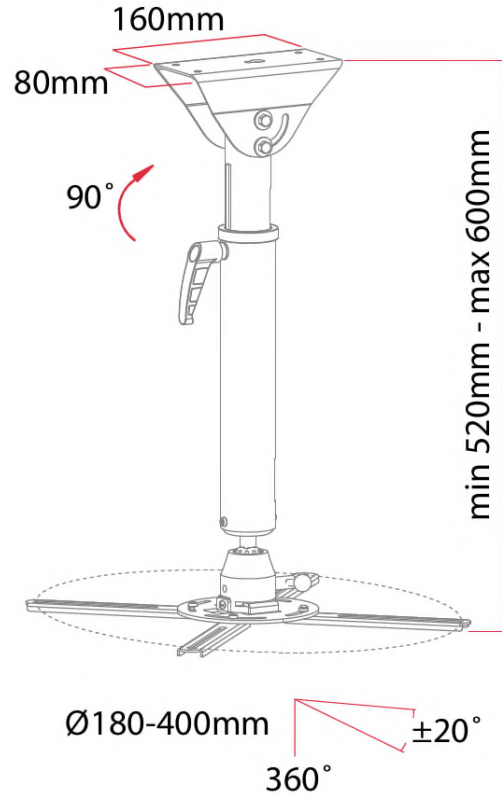


VPM-300W

TELESCOPIC CEILING MOUNT FOR Medium to Large Projectors



HEIGHT ADJUSTABLE CEILING MOUNT PROJECTOR BRACKET

- Budget Ceiling Mount bracket for most model projectors 180 to 400mm mounting dia.
- Weight capacity of 30Kg
- Height Adjustable 520 to 600mm with 360° rotation and 20° Tilt
- Ceiling mount is Cathedral design with 0° to 90° angle on sloping ceiling or can mounted on the side of a beam
- Excellent lock mechanism for both extension and ball joint tilt control
- Comes with comprehensive mounting kit.
- Only available in White