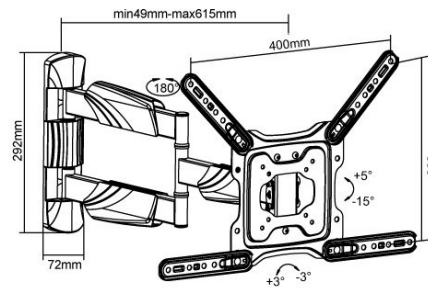
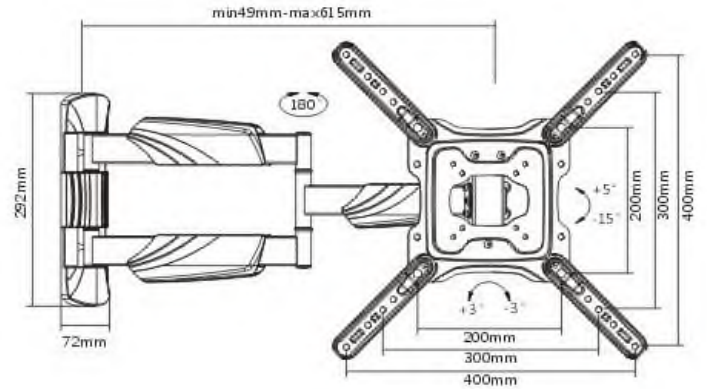


VLM-3400

DOUBLE ARM EXTENDING & TILTING WALL MOUNT FOR 32" TO 55" LED & OLED SCREENS



Multi VESA fitment positions

Fold back 49mm

EXTENDING, SWIVELLING & TILTING WALL MOUNT FOR LED/OLED SCREENS 32" to 55"

- Stylish articulated wall mount with very long extension
- 610mm Reach yet folds back to 49mm clearance from wall
- 15° forward and 5° back tilt
- Multi VESA mounting – 200 x 200/300 x 200/400 x 200/400 x 300/400 x 400 fitment
- Comes with comprehensive mounting kit including M4, M6, and M8 screen screws and spacers
- 30Kg (66lbs) maximum screen weight
- Has cable management – cable holders on both arms