



888-577-5218 www.KYMindustries.com
 Tarps and Tarp Systems for Dumpsters, Roll Offs, Landfill Covers,
 and Custom Applications!

BOX DETAIL SHEET FOR BELLYDUMPS

ALL CUSTOM MADE TARPS ARE NON- RETURNABLE. CORRECT MEASUREMENTS ARE ESSENTIAL FOR PROPER FIT OF A TARP. PLEASE PROVIDE ALL REQUESTED INFORMATION. ALWAYS USE THE ACTUAL MEASUREMENTS OF THE BOX.

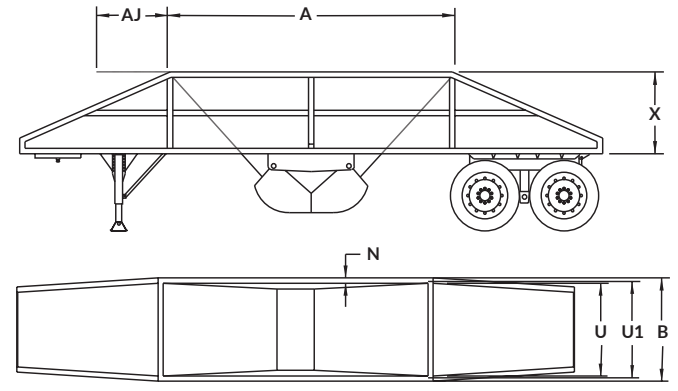
CONTACT INFORMATION

NAME _____
 ADDRESS _____
 EMAIL _____

CITY _____ STATE _____ ZIP _____
 PHONE _____ FAX _____
 BOX/TRAILER MAKE _____

BOX DIMENSIONS FOR BELLY DUMPS

A _____ UPPER BOX LENGTH
 B _____ UPPER BOX WIDTH
 Center _____ Rear _____
 N _____ TOP RAIL WIDTH
 U _____ INSIDE BOX WIDTH
 U1 _____ INSIDE PLANK-TO-PLANK WIDTH
 X _____ BOX HEIGHT

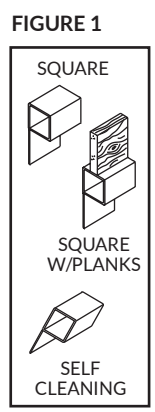


TARP RAIL STYLE See Figure 1

- SQUARE
- SELF CLEANING
- SQUARE W/PLANKS*

*Are planks flush with outside of top rail?

Y / N (Circle one)



CORNER CONFIGURATION See Figure 3

- SQUARE
- DIAGONAL
- RADIUS

C _____ OUTSIDE CORNER RADIUS For all radius fronts
 E _____ FLAT ACROSS FRONT
 V _____ FLAT ACROSS DIAGONAL
 W _____ DIAGONAL DEPTH

LANDING EXTENSION LENGTH See Figure 2 -

AJ _____

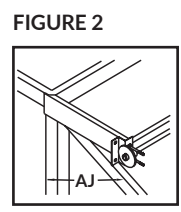
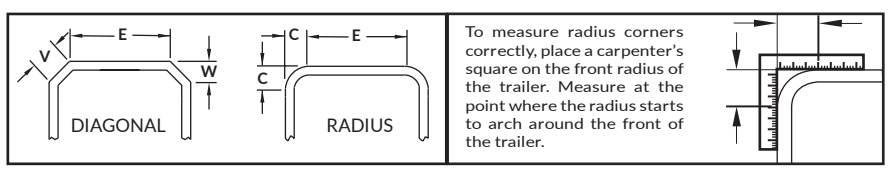


FIGURE 3



TARP WEIGHT

- 18 OZ.
- 22 OZ.

TARP COLOR(S) _____

PRINTED: _____

SIGNATURE: _____

DATE: _____