

ULTRAVIEW™



UV SLIDER™

STAY IN THE MOMENT

TABLE OF CONTENTS

A close-up, black and white photograph of a mechanical gear assembly. The central focus is a circular knob with a textured, ribbed surface and a small, dark, stylized number '4' embossed on its top. This knob is mounted on a larger gear with a serrated, toothed edge. The background is dark and out of focus, showing other parts of the mechanism.

DIAGRAM - 1

OUT OF THE BOX - 2

BRIDGE-LOCK ASSEMBLY - 5

PICATINNY ASSEMBLY - 6

SIDE MOUNT ASSEMBLY - 7

UV3XL SE - 8

ADJUSTING ELEVATION - 9

ADJUSTING WINDAGE - 10

1ST & 2ND AXIS ADJUSTMENTS - 12

3RD AXIS ADJUSTMENTS - 15

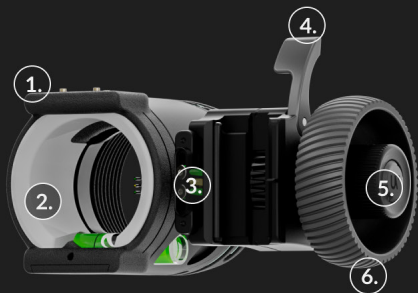
QUICKBREAK™ - 18

SIGHTING IN - 20

TROUBLESHOOTING - 26

WARNINGS - 28

DIAGRAM



Scope & Drive Assembly

1. UV3XL SE
2. Viz Ring
3. Yardage Indicators
4. Locking Lever
5. Windage Dial
6. Elevation Dial

Rack & Rail Assembly

7. Rail
8. Yaw Block
9. Rack
10. QuickBreak™ Latch



OUT OF THE BOX

1. Remove the Rack & Rail and the Scope & Drive Assemblies
2. Lift the locking lever fully to unlocked position

WARNING

Indicators on the Scope & Drive Assembly are extremely sharp (for pinpoint accuracy) and can poke you



Unlock
Lift up

OUT OF THE BOX

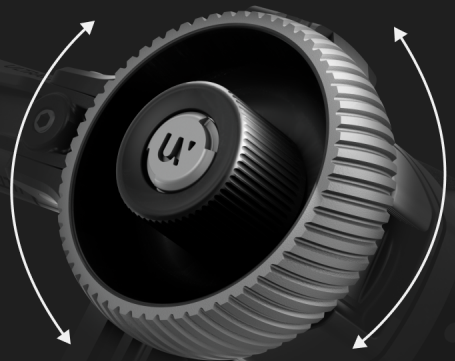
3. To install, lift locking lever, place Scope & Drive Assembly on rack, ensuring guide pins are placed properly in their respective tracks, and slide the Scope & Drive Assembly upward until it clears the spring loaded latch



You will hear an audible 'click'


4. Rotate dial to ensure operation is smooth

Scope & Drive Assembly should slide up and down the Rack & Rail assembly



OUT OF THE BOX

5. Return locking lever to locked position



Lock
Push down

BRIDGE-LOCK ASSEMBLY

1. Insert UV Slider™ sight into Bridge-Lock hole in Mathews riser

Select one of three positions for UV Slider™ sight by aligning its groove to the screw. Fasten snugly to secure UV Slider™ to riser



PICATINNY ASSEMBLY

1. Loosen Picatinny bolt in rail until the clamp opens enough to slide onto Hoyt Picatinny bracket

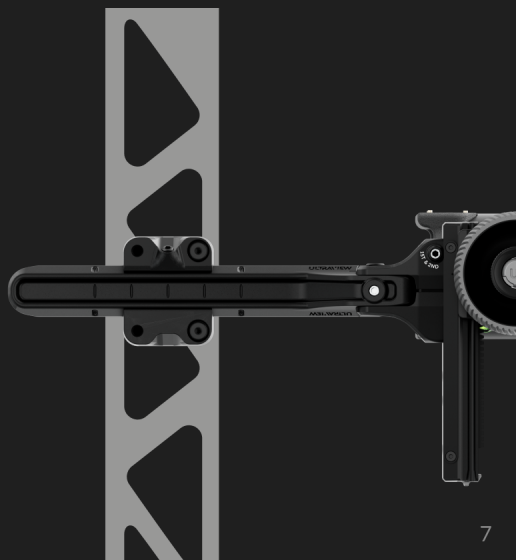
Choose vertical position, and tighten Picatinny bolt snugly to secure sight to riser



SIDE MOUNT ASSEMBLY

1. Remove riser block from travel case
2. Loosen set screw on riser block before inserting the rail
3. Using the provided $\frac{3}{4}$ " long low profile bolts, fasten riser block to the side of your bow with the set screw side facing the top of the bow (facing down for left handed users)

Insert rail into riser block until it is in your preferred position, and tighten set screw snugly to secure sight to the riser



UV3XL SE

1. Turn on UV3XL SE light

Fully press and release the button above the “UV” icon

2. Toggle the level light

With light kit on - Press and hold the power button for 2 seconds, then release. Repeat to turn off level light.

3. Brighten and dim the pin light by pressing the left and right buttons closest to the leading edge of the light cartridge



ADJUSTING ELEVATION

1. Lift locking lever until in the fully unlocked position
2. Rotate elevation dial **clockwise** to lower sight on rack (**increasing yardage**)
3. Rotate elevation dial **counter-clockwise** to raise sight on rack (**decreasing yardage**)
4. When desired elevation position is reached, return locking lever to **fully locked** position

Unlock

Lift up



Lock

Push down



***Increasing yardage**
Clockwise

***Decreasing yardage**
Counter-clockwise

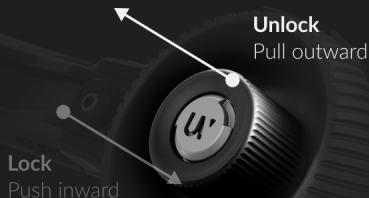
*Reverse directions for left-handed user

ADJUSTING WINDAGE

1. To unlock windage adjustment, pull windage dial outward away from the sight until dial clicks into the unlocked position

Rotate windage dial clockwise to move scope to the right
(Moving point of impact left)

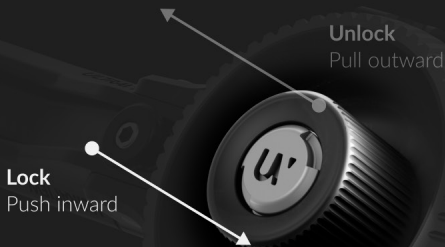
Rotate windage dial counter-clockwise to move scope to the left
(Moving point of impact right)



*Reverse directions for left-handed user

ADJUSTING WINDAGE

2. When desired windage position is reached, push windage dial towards the sight to return it to the locked position



1ST & 2ND AXIS ADJUSTMENT

Using the leveling method of your choosing (With UV Slider mounted on your bow)

1. Locate adjustment screw on yaw block (Intermediate part between Rack & Rail) labeled "1st & 2nd Axis"

2. Unlock the adjustment by slightly loosening the two bolts mounting the yaw block to the rack by **one revolution**



1ST & 2ND AXIS ADJUSTMENT

3. Adjust 1st & 2nd Axis

Turning the screw **clockwise** will rotate Scope & Drive Assembly **counter-clockwise** in the view of the shooter

Rotate Scope & Drive Assembly counter-clockwise
Clockwise

Rotate Scope & Drive Assembly clockwise
Counter-clockwise




1ST & 2ND AXIS ADJUSTMENT

4. When desired adjustment is reached, **slightly tighten** the top bolt mounting the yaw block to the rack to hold adjustment in place while you proceed to the 3rd axis adjustment

IMPORTANT

This step is very important in assuring the joints are locked correctly at the end of locking the 3rd Axis adjustments

Slightly tighten

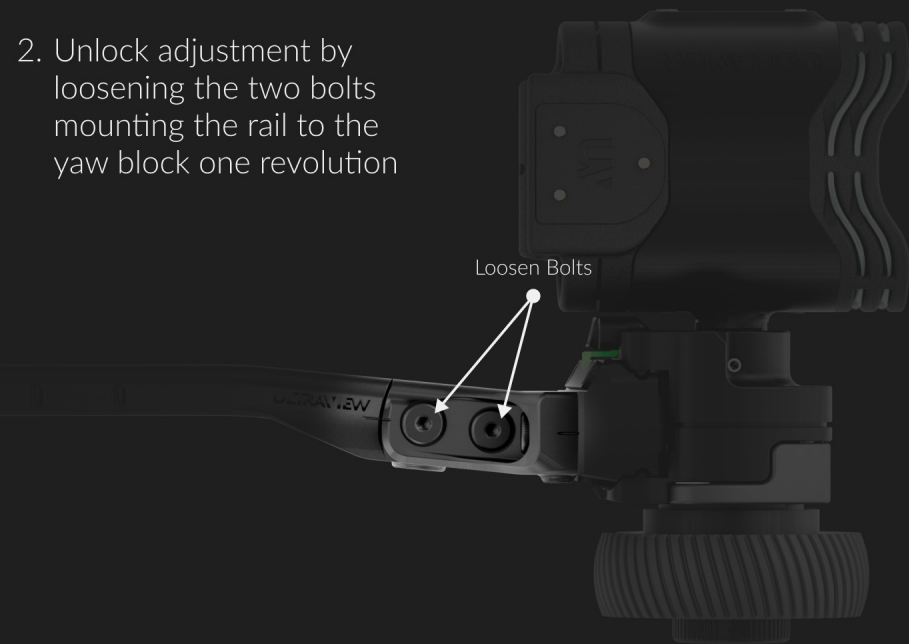
A close-up photograph of a bolt being tightened on a rack. A white arrow points to the bolt head with the text "Slightly tighten". The bolt is part of a larger mechanical assembly, likely the yaw block mounting mentioned in the text.

5. UV Slider™ has factory set 2nd axis; when you level the 1st axis, the 2nd axis automatically becomes set

3RD AXIS ADJUSTMENT

1. Locate adjustment on yaw block, labeled “3rd axis”
2. Unlock adjustment by loosening the two bolts mounting the rail to the yaw block one revolution

Loosen Bolts



3RD AXIS ADJUSTMENT

3. Adjust 3rd Axis

Right handed Users -

Turning adjustment clockwise, rotates the Scope & Drive Assembly clockwise in a top-down view

*Rotate Scope & Drive Assembly clockwise

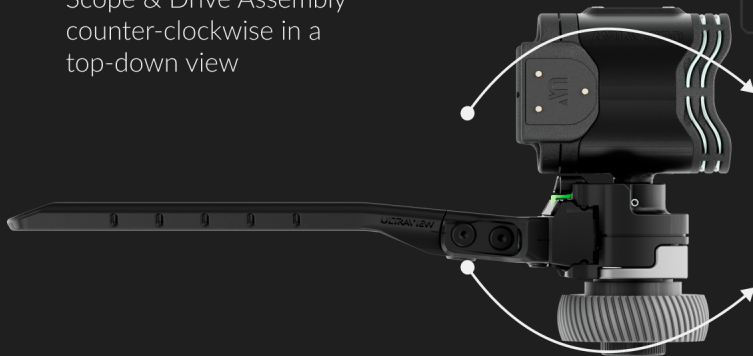
Turn screw clockwise

*Rotate Scope & Drive Assembly counter-clockwise

Turn screw counter-clockwise

Left handed Users -

Turning adjustment clockwise, rotates the Scope & Drive Assembly counter-clockwise in a top-down view



*Reverse directions for left-handed user

3RD AXIS ADJUSTMENT

4. When desired adjustment is reached, tighten the two bolts mounting rail to yaw block snugly to lock adjustment

Tighten snugly

5. Snugly tighten both 1st axis adjustment screws from step 1

Tighten snugly

QUICKBREAK™

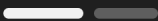
1. Lift the locking lever fully to unlocked position
2. At the bottom of the rack you will find a small silver latch; press and hold the latch down



QuickBreak™
Latch



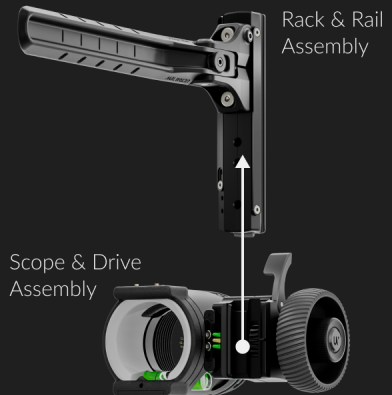
Unlock
Press towards
back of sight



- Using the elevation dial, move the Scope & Drive Assembly to the bottom of the rack, and pull the Scope & Drive Assembly downward to remove it fully from the rack



- To reinstall, unlock elevation, place Scope & Drive Assembly on rack, ensuring guide pins are placed properly in their respective tracks, and slide the Scope & Drive Assembly upward until it clears the spring loaded latch



SIGHTING IN

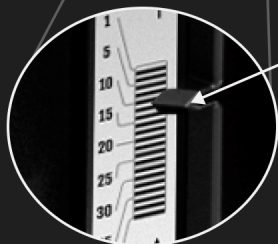
1. Remove Setup Tape, position it on tape plate

Sight in at 20 yards with
middle scope pin (Fixed-
Yellow)

Move the set-up tape
to align the 20 yard line
with black calibration
indicator. Fasten down

Sight in at 60 yards with
middle scope pin (Fixed-
Yellow)

Read the number on
Setup Tape scale
associated with the
closest line to your
indicator when sighted
in at 60 yards



Calibration
indicator

*White dashes on
Setup Tape
indicate odd
numbered tapes

SIGHTING IN

2. Gap 20/30/40 yard pins

Before installing the sight tape remove the 3-pin cartridge and align your middle pin with 30 yards on the tape

Visually align your top pin with 20 yards on the tape

Align your bottom pin with 40 yards on the tape

Loosen set screw to remove pin cartridge

Loosen set screw to remove light cartridge



SIGHTING IN

3. Install sight tape on scope side of sight

While still sighted in at 60 yards align your 2nd (Fixed-Yellow) indicator with the 60 yard line on your sight tape

Fasten the metal tape plate down with screws



SIGHTING IN

4. Set your moving indicators

Adjust elevation until your 2nd indicator is at the 30 yard line. Verify the 30 yard mark

Move the top indicator until it aligns with 20 yard line

Move the bottom indicator until it aligns with the 40 yard line



Set Indicators
20/30/40

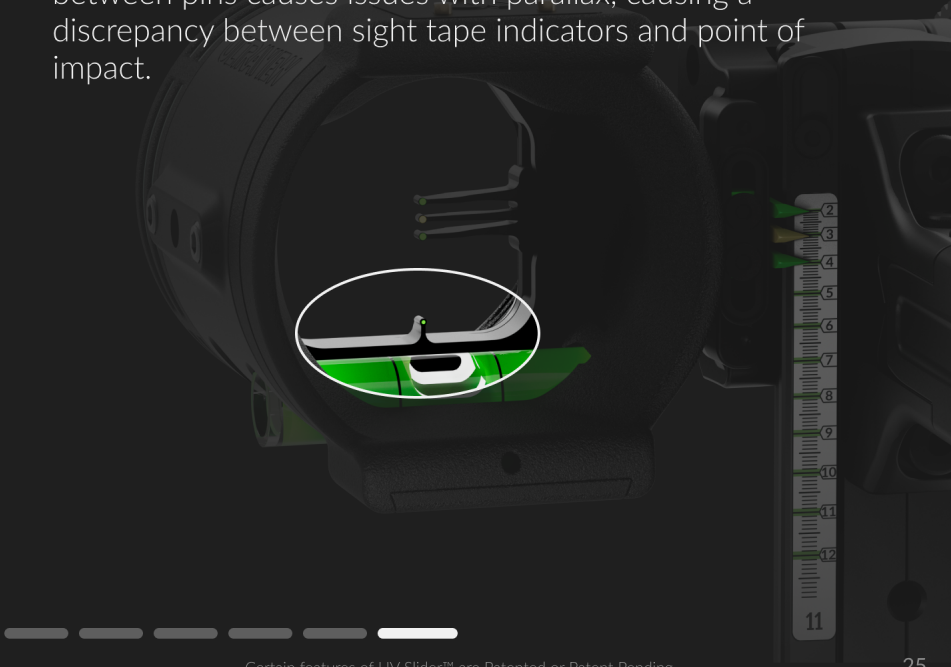
SIGHTING IN

5. Refine position of top and bottom scope pins by shooting the distances that they indicate



SIGHTING IN

- Bonus Pin:** The 4th 'Bonus' pin in the UV3XL SE 3 pin cartridge is meant for fun long range shots and is not meant to be used in conjunction with a sight tape, there is no fixed sight tape indicator present for the bonus pin. This is because when using multiple fixed pins in a scope, switching between pins causes issues with parallax, causing a discrepancy between sight tape indicators and point of impact.




TROUBLESHOOTING



SCAN FOR INSTRUCTIONS AND VIDEOS

<https://ultraviewarchery.com/pages/instructions>



GO SHOOT

V1

WARNING: A BOW IS A DANGEROUS WEAPON THE USE OF WHICH CAN CAUSE SERIOUS INJURY OR DEATH.

Risks related to bows can be reduced but not eliminated by Safe Handling practices as described below.

You are responsible for familiarizing yourself with these practices prior to using any UltraView product.

You should always use Safe Handling practices while handling or operating a bow, including when not using Ultraview products.

THESE SAFE HANDLING PRACTICES ARE NOT INTENDED TO PROVIDE, SUPPLEMENT, OR SUBSTITUTE FOR A COMPREHENSIVE ARCHER EDUCATION COURSE.

YOU ARE RESPONSIBLE FOR OBTAINING ALL NECESSARY ARCHER EDUCATION AND EXPERIENCE REQUIRED FOR THE SAFE HANDLING AND OPERATION OF BOWS.

THESE SAFE HANDLING PRACTICES SERVE ONLY AS REMINDERS AND IN NO WAY CONSTITUTE ADVICE FROM ULTRAVIEW TO YOU.

Do not point or aim a bow at any person or domestic animal.

Always read the user and safety manuals for any archery equipment that You are using for the first time. You should periodically review these materials to remain familiar with their contents.

You should be aware of Your surroundings, including environmental conditions that affect a bow's performance.

You should not fire a bow until You have clearly identified Your target and fully understand what lies beyond the target.

Inexperienced archers and individuals under the age of 18 years old should not handle a bow without appropriate supervision by an adult familiar with the safe handling and operation of bows.

Store Your bow securely in a place inaccessible to children.

Misuse of a bow can cause an unintended flight path of an arrow, resulting in serious injury or death.

Do not shoot an arrow straight up in the air.

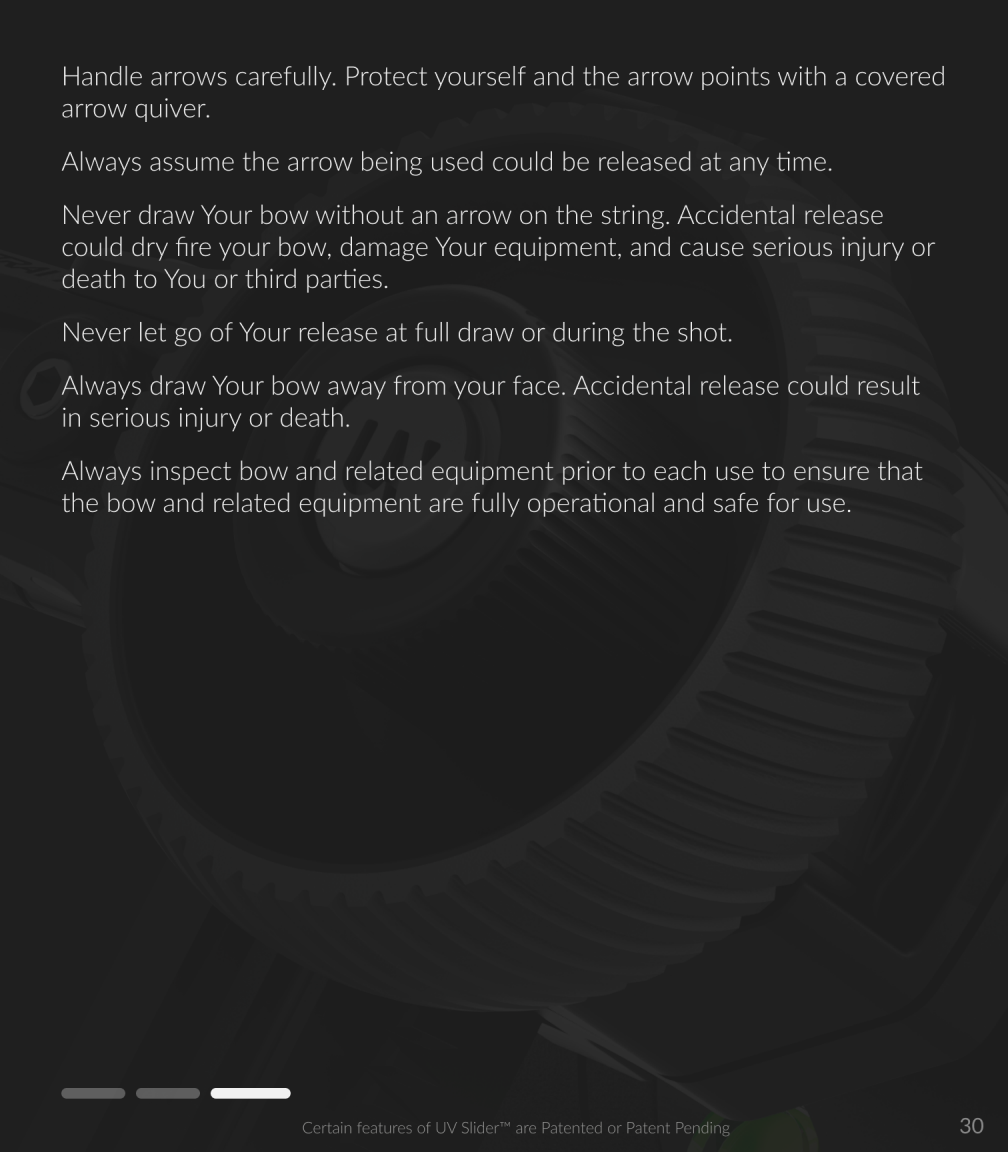
Always wear safety glasses when handling or shooting your bow.

Do not drink alcohol or take mood-altering drugs before, during, or after shooting a bow.

Always inspect bow and related equipment prior to each use to ensure that the bow and related equipment are fully operational and safe for use.

Inspect each arrow before use and never use a damaged arrow. A damaged arrow may not fly as expected.

Always draw Your bow pointed at a target.



Handle arrows carefully. Protect yourself and the arrow points with a covered arrow quiver.

Always assume the arrow being used could be released at any time.

Never draw Your bow without an arrow on the string. Accidental release could dry fire your bow, damage Your equipment, and cause serious injury or death to You or third parties.

Never let go of Your release at full draw or during the shot.

Always draw Your bow away from your face. Accidental release could result in serious injury or death.

Always inspect bow and related equipment prior to each use to ensure that the bow and related equipment are fully operational and safe for use.