

Hand-crafted products
for infants and toddlers.
Made in USA



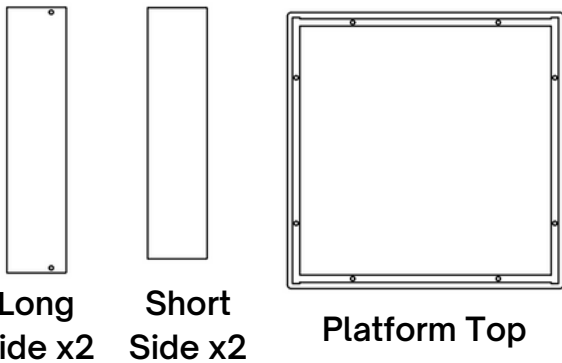
Tel.: (844) 723-1234
info@RADchildrensFurniture.com
433 W. Florence Ave.
Inglewood, CA 90301

Platform Assembly

Please FULLY read these instructions before you start assembling the Platform.

The Parts

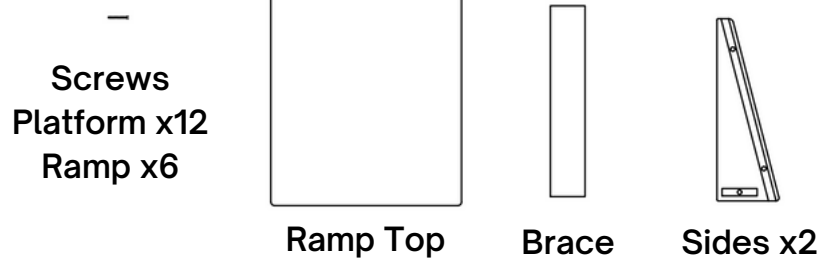
Platform



Long Side x2
Short Side x2

Platform Top

Ramp



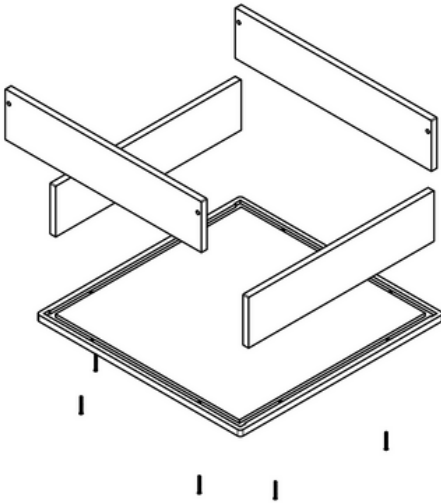
Screws
Platform x12
Ramp x6

Ramp Top

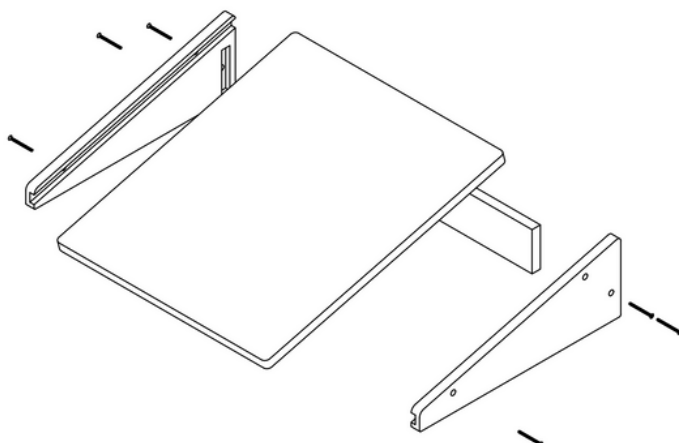
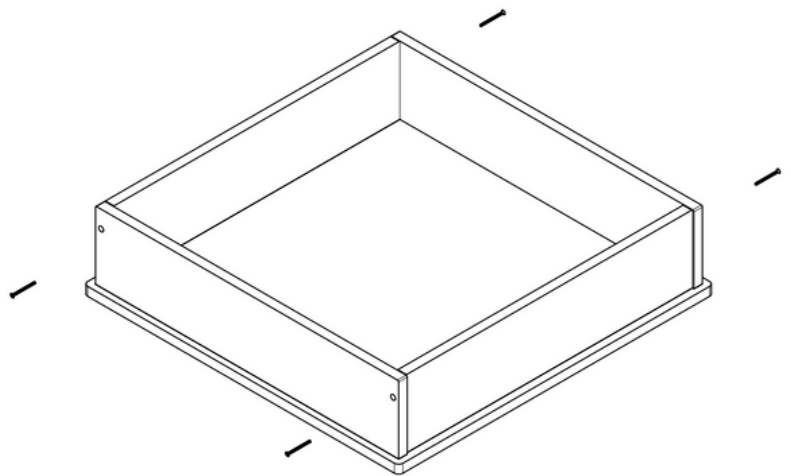
Brace

Sides x2

Insert Long and Short Sides into slots in Platform Top and secure with (8) screws with provided wrench



Secure Long and Short Sides together with (4) screws



Insert Ramp Top and Brace into slots in one of the Side pieces and secure with (3) screws. Repeat with 2nd ramp side.