

Homecamp

Joey Tent

INSTRUCTION MANUAL





Quality goods
for the outdoors

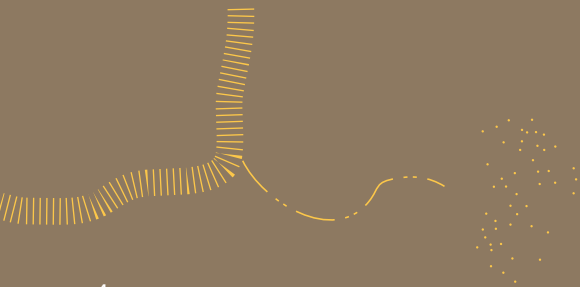




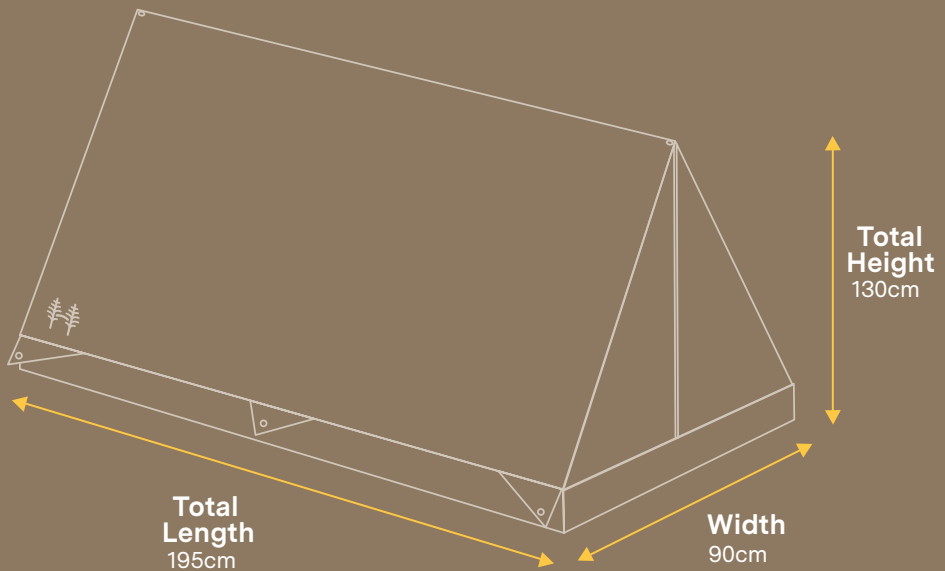
Welcome to your Homecamp Joey Tent

This Joey Tent design is inspired by classic camping adventures and the joy of setting up your very first tent.

We have built on its distinctive shape and modernised the choice of materials, all whilst adding plenty of design flourishes and detail to create a robust and versatile tent that your young ones can be proud of.



General Dimensions*

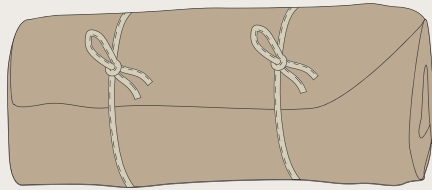


*NOTE: Due to the nature of our small production scale, measurements are for general purposes and may vary slightly with each individual product.

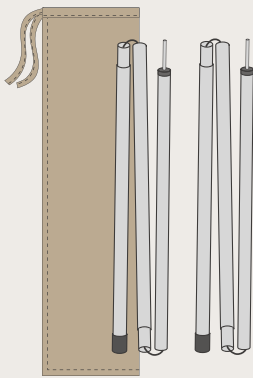
Bag Contents



Joey Tent Bag



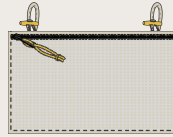
Tent



Upright Pole x 2



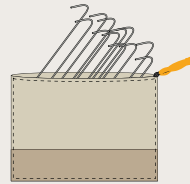
Ridgeline Pole x 1



Pole Bag

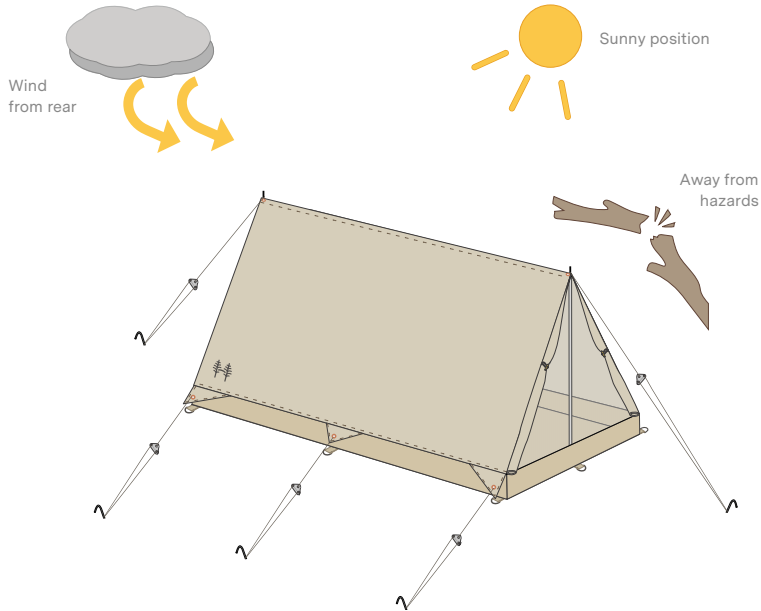


Lantern Loop



Pegs

Setting up your tent



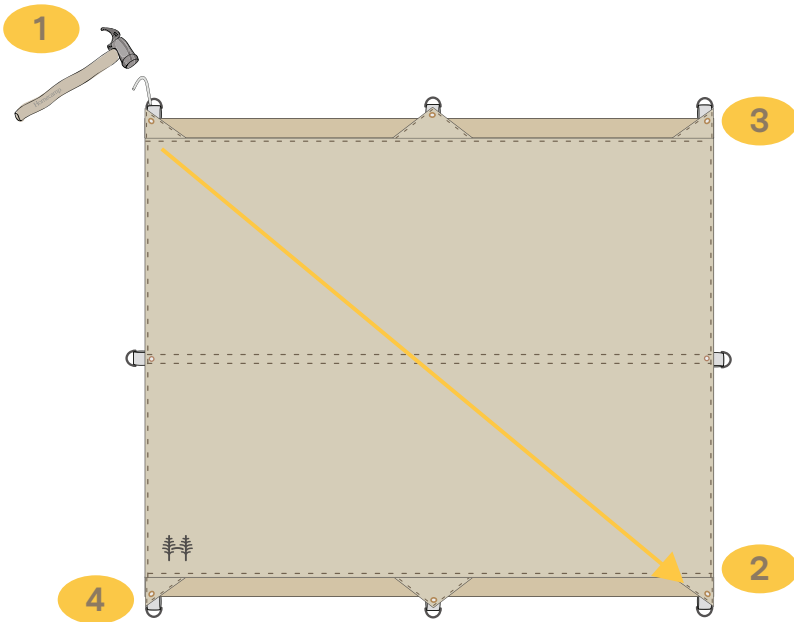
1

Find the perfect spot

Look to camp on a flat and elevated piece of ground with good drainage, preferably with some shade in the afternoon. Protect yourself from falling debris by not pitching beneath trees.

Before rolling out your tent, remove any sharp objects that could damage the bottom of your tent, as well as sticks and rocks that could make an unsightly (and uncomfortable) lump in the floor.

Position the tent so that your door is facing away from the prevailing wind. If possible, position your tent so it has exposure to the morning sun which will help fend off any early morning dew, keeping your tent dry for packing away.

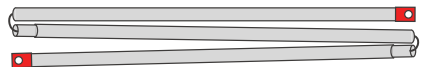


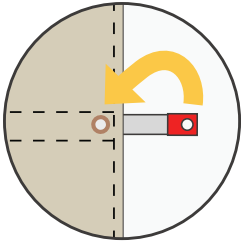
2

3

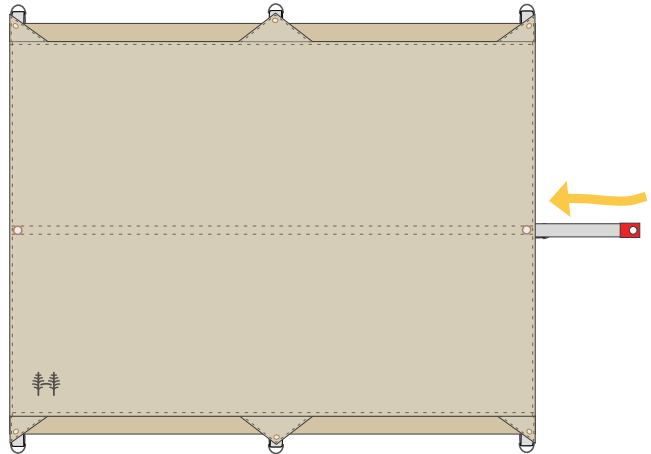
Lay out the tent and peg in the loops starting from each corner working diagonally pulling tight to create even tension. Peg in the remaining floor loops.

Unzip and open the front and rear doors. Assemble the ridgeline pole.



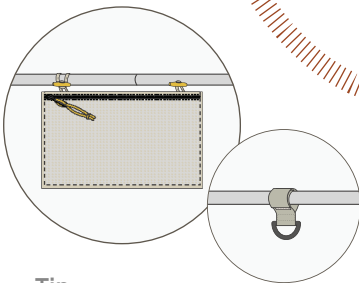


The ends of the ridgeline pole should meet with the eyelets on the top roof seam.



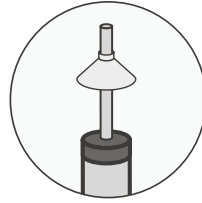
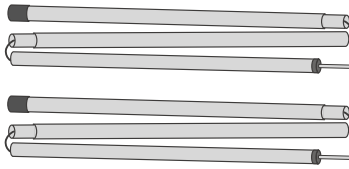
4

Feed the ridgeline pole into the tent aligning with the centre roof seam.



Tip

Attach your pole bag and lattern loop to the ridgeline pole prior to assembly.

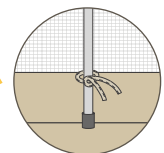
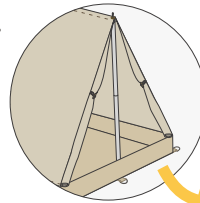
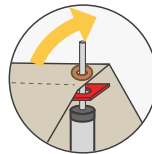
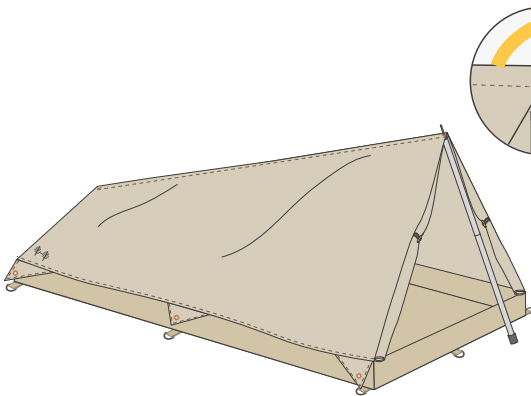


Assemble the 2 upright poles provided (remove the plastic rain caps and replace after setting up).

5

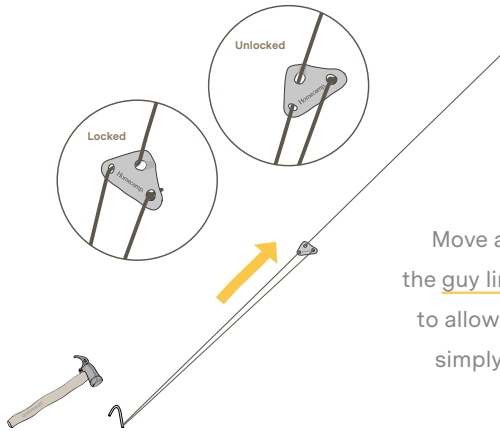
6

Feed the upright poles through the ends of the ridgeline pole and roof eyelets. Lift the tent roof up into place, moving the base of the pole inside the tent.



Tip

Use the ties provided to secure the base of the upright pole to the wall of the tent.

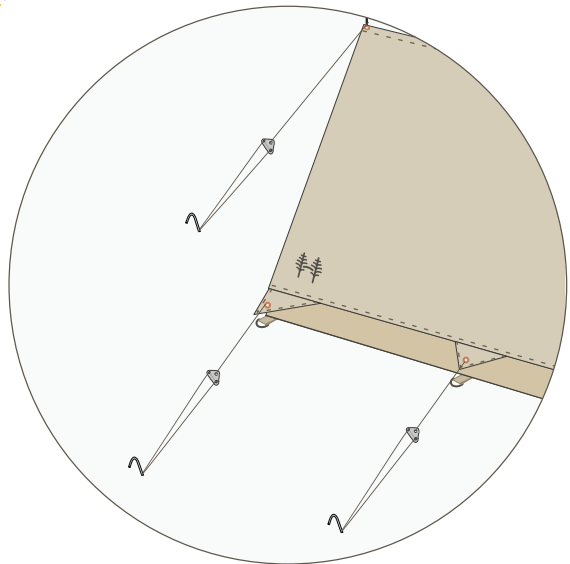


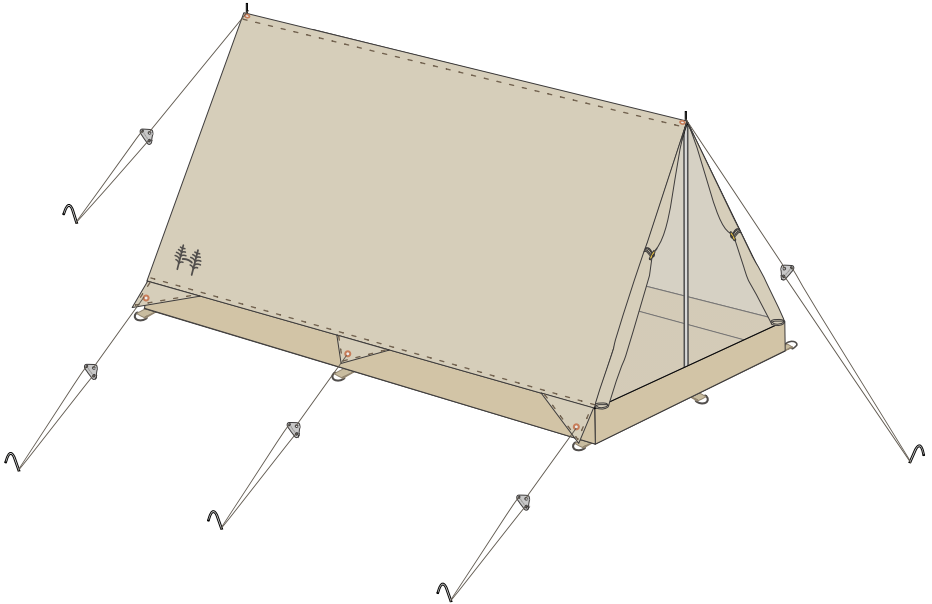
Tip

Move around the tent tightening the guy lines evenly, twist the slider to allow rope to pass through and simply release to lock into place.

7

Unravel the guy lines. Pull them evenly from the tent and secure them into the ground with the remaining pegs.





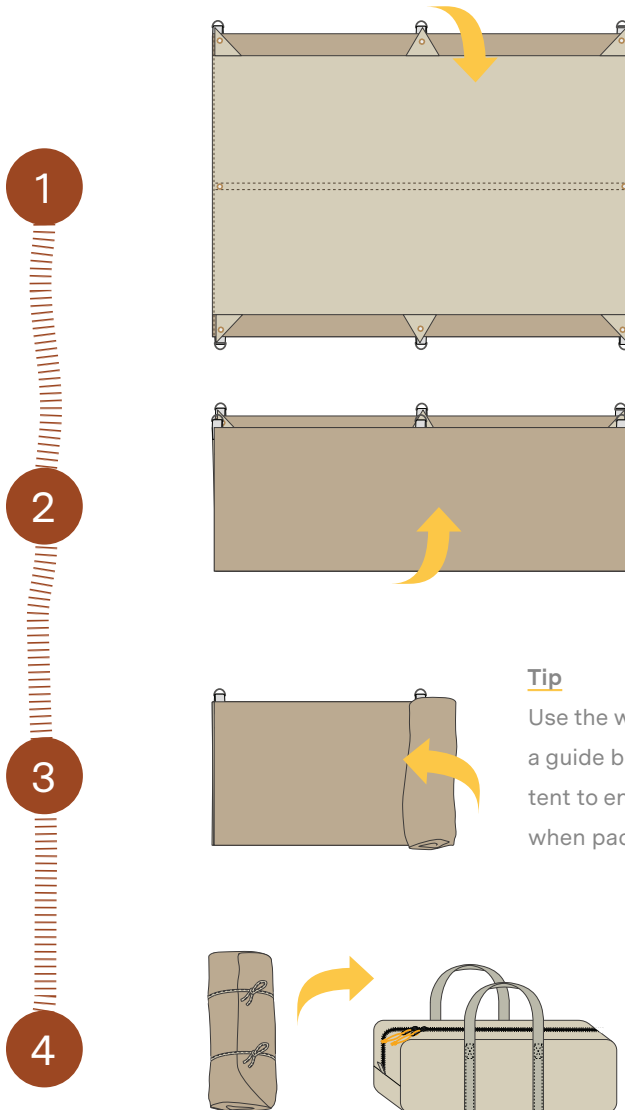
8

Your new Homecamp Joey Tent is now ready to enjoy

Please read the important information over leaf
for care instructions and our product warranty.

Packing away your tent

Unpeg all guy lines, remove the poles and floor pegs. Fold the tent into half. Roll up tightly and secure with the ties. Brush off any dirt and leaves as you go.



Tip

Use the width of the bag as a guide before you roll your tent to ensure it will fit easily when packing.

Tent Care

With proper care, Homecamp Tents are built to last for a lifetime of adventures.

Canvas is the ultimate fabric for large tents, however it does require some extra care and attention to keep it in top condition.

We strongly recommend reading the following information so that you can maintain your tent for years to come.





Never put away a tent damp or wet

The number one rule for caring for canvas is to never put your tent away damp or wet as this will attract the growth of mould or mildew which can be extremely difficult to remove. Homecamp canvas is quick-drying and even just a little sun and a breeze will dry out the tent.

- ▶ The first time your tent is exposed to rain you may find a little rain soaks through. This is completely normal as canvas fibers need to be exposed to water to form a waterproof barrier. See the section, **Seasoning Your Tent** below for more detail.
- ▶ To avoid rain entering the tent when camping, keep windows and doors closed if you are away from the tent or in wet weather.
- ▶ If it's pouring with rain and you need to leave your campsite, we recommend loosely folding the tent and leaving windows and doors unzipped. Once you have returned to a dry space, then unfold the tent and leave in sunlight or dry, warm environment to air out (**there is no need to pitch the tent**). You could drape the tent over a washing line or some chairs in your garden.
- ▶ Once the tent is thoroughly dry, you can pack it away in its storage bag.



Seasoning your tent

Seasoning (aka 'weathering') a canvas tent is an important process for getting your tent water-tight and ready for a long life of camping. Cotton and thread expand and shrink after being wet and then dried, so seasoning canvas is simply a way of speeding up this natural process, thus reducing the potential for any leaking in your tent.

- ▶ Before you start the seasoning process, pitch your new tent in your garden.
- ▶ Hose down the tent with a gentle but continuous spray (a sprinkler is great for this).
- ▶ Saturate the canvas thoroughly and then using the hose — pay particular attention to the seams.
- ▶ Let the tent dry naturally.
- ▶ After drying the tent out, repeat the process at least one more time.

Your tent is now seasoned and ready for adventure!



Cleaning and storage

- ▶ Sweep out the tent before packing away.
- ▶ Use a soft brush to remove any dry dirt or vegetation from the tent as this could attract mould.
- ▶ Use a soft brush or old towel to wipe the tent floor as you fold it into a roll for storage in its bag.
- ▶ Wipe down poles and pegs and ensure they are clean and dry before packing away.
- ▶ Where possible hose down the tent and spot clean with a mild detergent such as Castile soap or a mix of water and vinegar (four parts water, one part vinegar). Avoid using harsh detergents or soaps that could remove the waterproofing.
- ▶ Ensure your tent is clean and dry before you put it away for storage.
- ▶ Store in a dry (**non-humid**) environment well away, up high from any potential vermin.



Reproofing

- ▶ Canvas is a woven fabric so is not naturally waterproof (unlike plastic or nylon fabric). Homecamp canvas is treated with a coating of waterproofing solution which makes the material waterproof but still retains the fabric's breathability.
- ▶ After a few seasons, you might notice that the tent starts to retain moisture, this will mean that it's time to reproof your tent — a very easy and quick process.
- ▶ Contact Homecamp via hello@homecamp.com.au for our up-to-date product recommendations for spray-on water repellency treatment.



Zippers

- ▶ Never force your zips. We use the best zips available custom-made for our tents, please take good care of them and treat them gently.
- ▶ Keep zips clean and occasionally spray with silicone-based lubricant



Avoid extreme conditions

- ▶ When setting up your tent in the wilds, carefully consider the possibility of **falling rocks or tree limbs, lightning strikes, flash floods, strong winds and other possible hazards.**



Mould or mildew

- ▶ Mould (aka mold or mildew) is simply a type of naturally occurring fungi, spread by airborne spores which can grow in damp, humid conditions on almost any material and is a perennial issue for campers everywhere. Our canvas tents have an anti-mould treatment however if they are packed away wet or damp they can attract mould.
- ▶ Tents pitched in continuous downpours or humid conditions can also attract mould and unfortunately, some environments are more prone to mould than others which makes it difficult to guess where and when mould might strike.
- ▶ In the right conditions, mould can appear very quickly and spread fast. Mould is unsightly and if left, can cause real damage to your tent.
- ▶ Mould appears as tiny black or dark blue/green spots on your canvas, generally in one area but it can quickly spread. Do not ignore it.
- ▶ The first thing is that you should act as soon as possible and if you don't have any mould cleaning solution on hand then use a mixture of one part white vinegar to four parts water (or even better add some baking soda!). Either spray this on the affected area or make a paste, leave for 20 minutes then wash off gently scrubbing the area with a soft brush. Make sure the tent is left to dry in the sun and is 100% dry before being put away.
- ▶ If you have a canvas treatment such as Iosso Tent & Canvas Cleaner then follow the same instructions spraying the infected areas and gently scrubbing with a soft brush.

- ▶ If your whole tent is dirty and/or mouldy then we recommend unzipping the floor and using a large bath, or another suitable large container (such as a drum) and soaking your canvas in a solution of water and mould treatment. Leave to soak overnight and thoroughly dry the next day.
- ▶ If you are cleaning your tent with mould cleaning chemicals then we recommend reproofing the part of the tent as these chemicals can remove the waterproofing.



Getting to know your tent

- ▶ Familiarise yourself with your tent by practising setting up your tent at home or in a local park.
- ▶ Set up the tent as per the instructions making sure there are no defects. This is important as generally tent warranties are limited and will only cover manufacturing mistakes — it might be difficult to prove a fault after you have been camping with your tent a while.
- ▶ Check that all of the correct parts are included in your tent.







Repairs

The materials used by Homecamp have been selected for their durability, however tents are often exposed to unpredictable conditions which can lead to rips in the canvas.

- ▶ For temporary fixes, you can use canvas or PVC repair patches (search for Tear Aid).
- ▶ Rips can generally be repaired by a professional (ask us for recommendations) or you can try a home repair using a sewing awl kit (aka Speedy Stitcher) — don't be afraid to try it yourself!
- ▶ Homecamp can provide replacement parts for your tent — contact Homecamp via hello@homecamp.com.au for help.



Warranty

Homecamp provides a limited manufacturer's warranty (24 months after purchase).

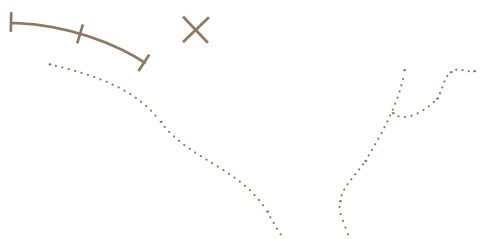
- ▶ The warranty covers manufacturing defects only.
- ▶ The Homecamp warranty is **not** transferable.

WHAT THE WARRANTY WILL NOT COVER

- ▶ General wear and tear from camping.
- ▶ Mould or mildew damage.
- ▶ Tents that are in use continuously either permanently or semi-permanently.
- ▶ Broken zips through misuse.
- ▶ Bent or broken poles through misuse.
- ▶ Lost or missing parts.
- ▶ Loose stitching.

CLAIMING ON YOUR WARRANTY

- ▶ Contact Homecamp via hello@homecamp.com.au with a summary of the issue and include any photographic evidence to support your claim.
- ▶ Homecamp will work with you to decide the best course of action and if your claim proceeds, we will issue a return number.
- ▶ The cost of return shipping is usually the responsibility of the customer, however in some instances Homecamp will cover the cost of returning the tent.
- ▶ Depending on the issue, Homecamp may decide to offer a repair or replacement for your tent.





homecamp.com.au



hello@homecamp.com.au



[home_camp](https://www.instagram.com/home_camp)