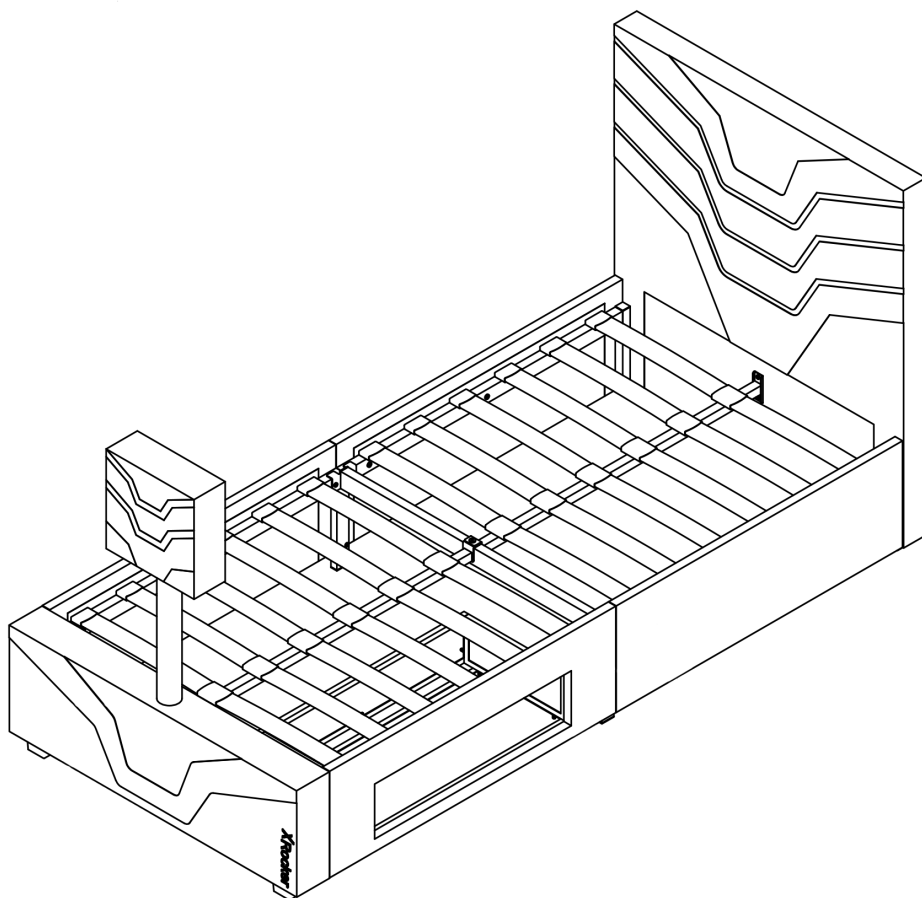


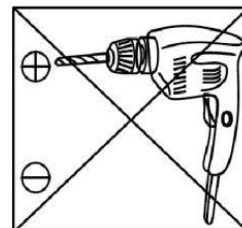
ORACLE GAMING BED WITH TV MOUNT



NEED SUPPORT?



xrockergaming.com/pages/support



TWIN
SIZE: 82.3 x 41.3 x 42.5IN

PLEASE READ this sheet prior to assembly to familiarize yourself with the various stages of construction.

Carefully open the pack supplied and check the contents against the parts and fittings check list. Do not destroy any of the packaging until you are certain that you have all the necessary parts for the assembly.

CAUTION: There are small components used in the construction of this unit. These items should be kept away from young children whilst assembling your unit to avoid danger of choking.

TOOLS REQUIRED

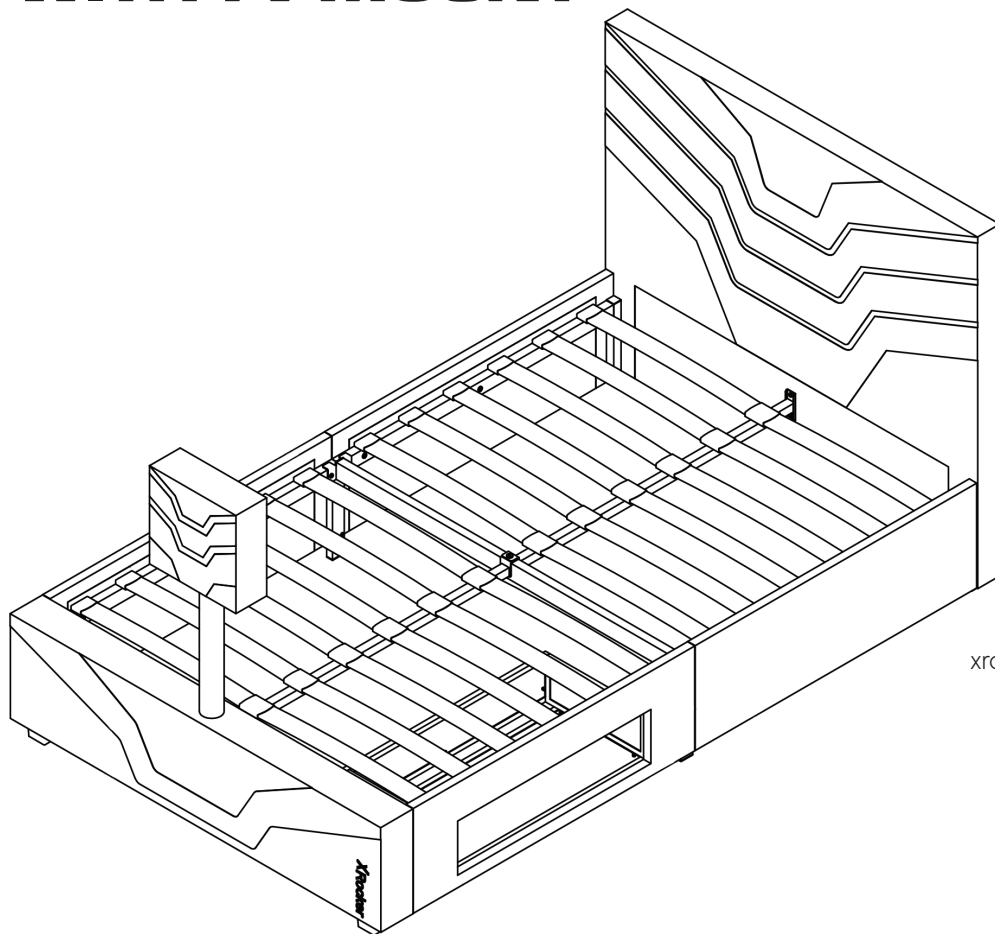


OF PEOPLE



1.5 HOUR SET UP

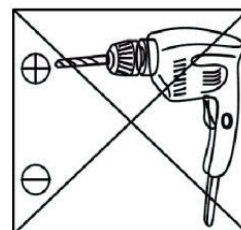
ORACLE GAMING BED WITH TV MOUNT



NEED SUPPORT?



xrockergaming.com/pages/support



FULL
SIZE: 82.3 x 56.3 x 52.5IN

PLEASE READ this sheet prior to assembly to familiarize yourself with the various stages of construction.

Carefully open the pack supplied and check the contents against the parts and fittings check list. Do not destroy any of the packaging until you are certain that you have all the necessary parts for the assembly.

CAUTION: There are small components used in the construction of this unit. These items should be kept away from young children whilst assembling your unit to avoid danger of choking.

TOOLS REQUIRED



OF PEOPLE



1.5 HOUR SET UP



Safety and Care Advice

Important - Please read these instructions fully before starting assembly

- Check you have all the components and tools listed on the following pages. Remove all fittings from the plastic bags and separate them into their groups.
- Keep children and animals away from the work area. Small parts may cause a choking hazard.
- Dispose of all packaging carefully and responsibly.
- Place the product on flat and steady surface during use.
- Assemble on a soft level surface to avoid damaging the unit or your floor.
- Keep these instructions for further use.
- Never allow anyone to sit on the foot end of the bed. Keep children well away from moving parts. If you have young children in the home, always disconnect the power at the wall socket for extra safety.
- Never touch moving parts or any part of the equipment whilst in use - if something needs to be checked, disconnect the power first. The socket providing the power must be accessible at all times in case you need to switch off the power quickly.
- All approved mains powered extension leads, used to power the equipment, must not be placed where they can be walked on - this is dangerous and could lead to accidents.
- Do not expose the bed to an undue level of heat - keep away from radiators.
- Do not place any vessel containing liquids on the TV footboard or TV itself which may accidentally spill and cause damage to your bed, the TV, the TV mount or your console.

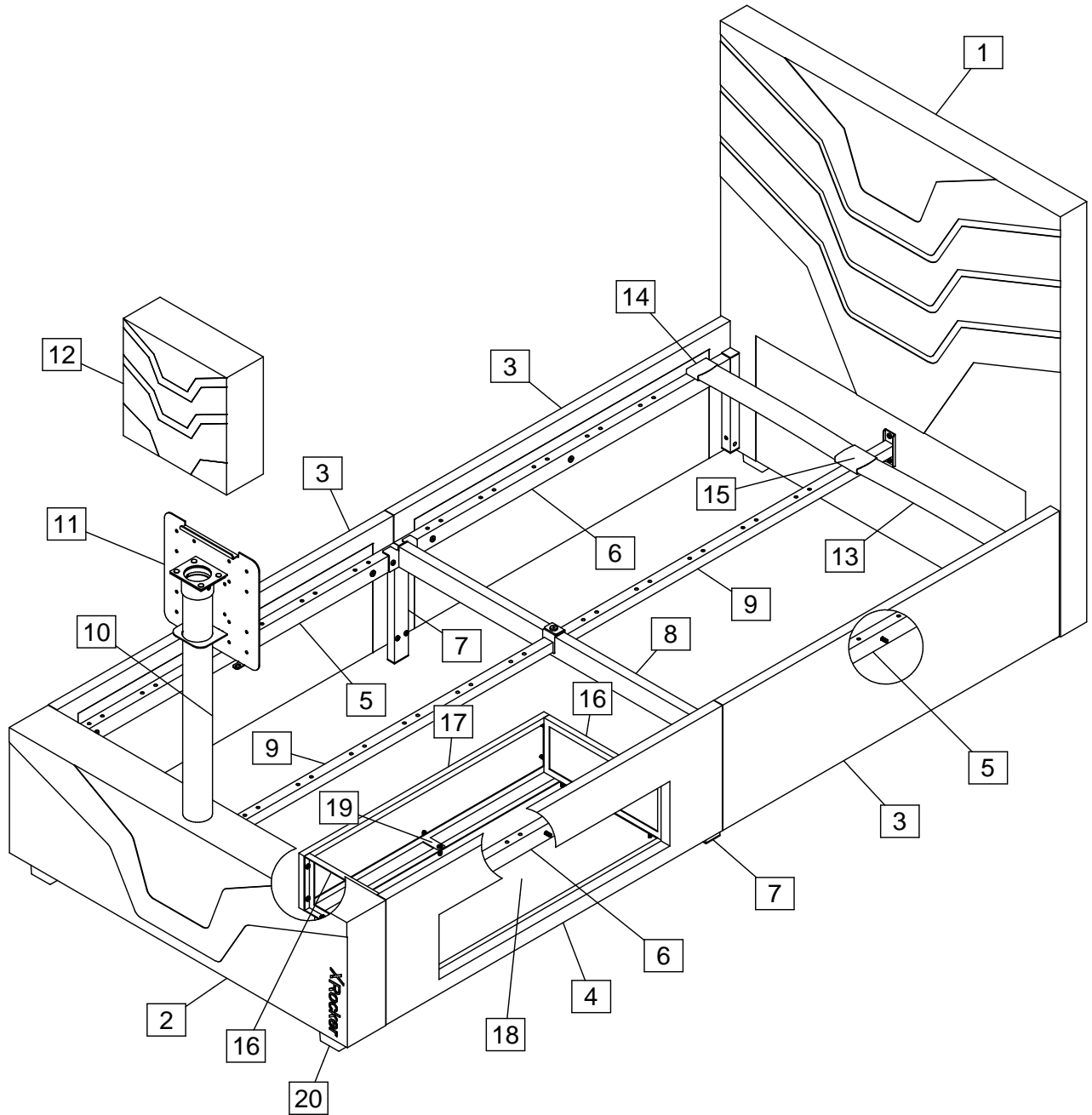
Care and maintenance

- Only clean using a damp cloth and mild detergent, do not use bleach or abrasive cleaners.
- Regularly check and ensure that all bolts and fittings are tightened properly.

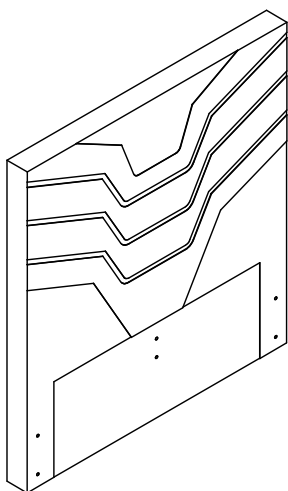
Handy Hints

- To ensure an easier assembly we strongly advise that all fittings are only finger tightened during initial assembly. Only upon completion of the assembly should all fixing points be fully tightened.
- Make sure you have enough space to layout the parts before starting.
- Check you have all the components and tools listed on the following pages. Remove all fittings from the plastic bags and separate them into their groups.
- Keep children and animals away from the work area. Small parts may cause a choking hazard.
- Dispose of all packaging carefully and responsibly.
- Place the product on flat and steady surface during use.
- Assemble the item as close to its final position (in the same room) as possible.
- Parts of the assembly will be easier with 2 people.

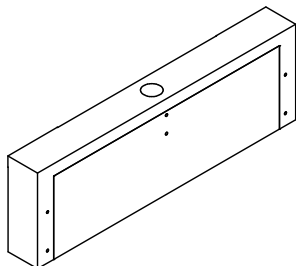
PARTS



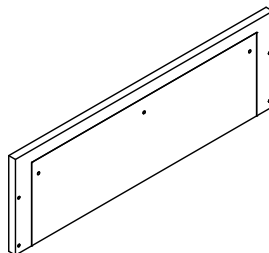
Parts



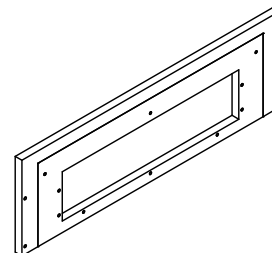
1 Headboard X 1



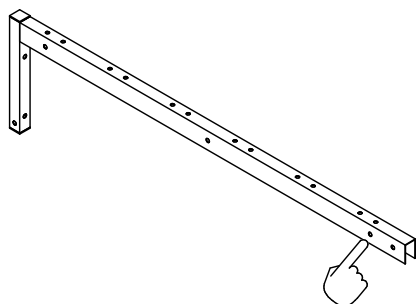
2 Footboard X 1



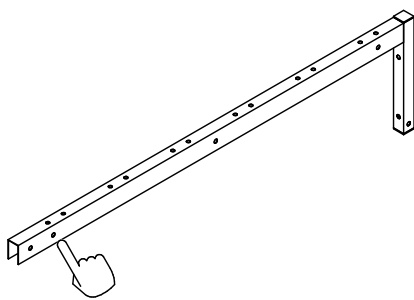
3 Side Panel X 3



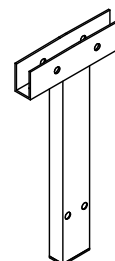
4 Side Panel X 1



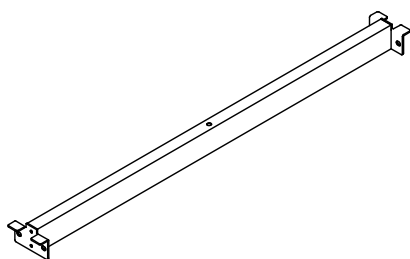
5 Side Rail X 2



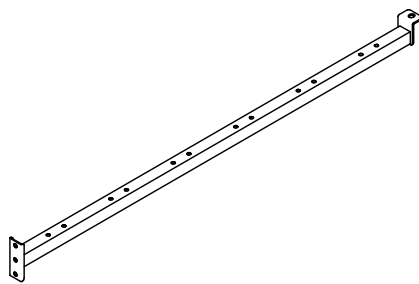
6 Side Rail X 2



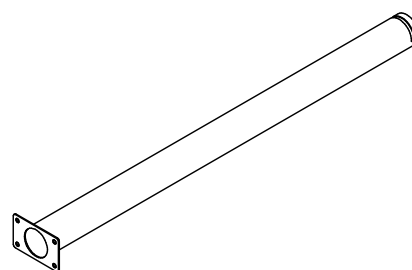
7 Support Leg X 2



8 Center Rail X 1

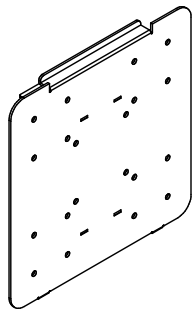


9 Center Rail X 2

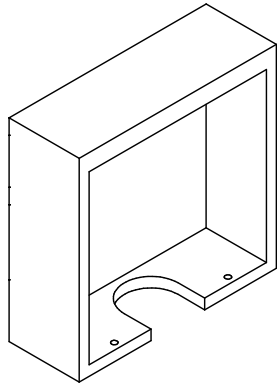


10 TV Rail X 1

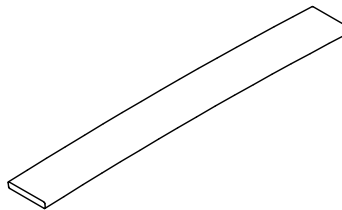
Parts



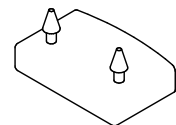
11 TV Bracket X 1



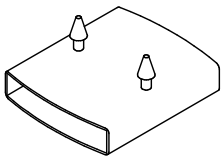
12 TV Box X 1



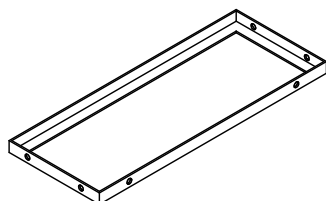
13 Wooden Slat X 24



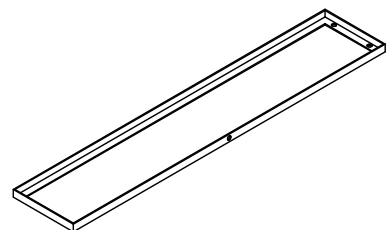
14 Single Slat Cap X 24



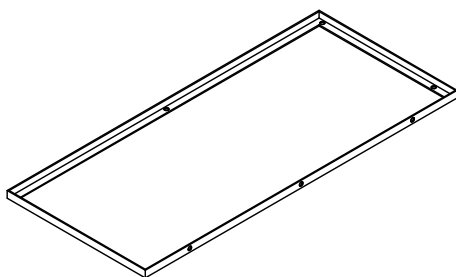
15 Double Slat Cap X 12



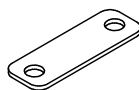
16 Drawer Side Panel X 2



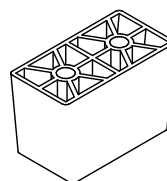
17 Drawer Back Panel X 1



18 Drawer Bottom Panel X 1

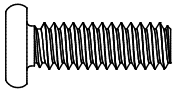
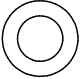
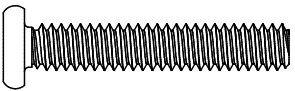
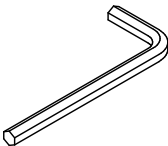

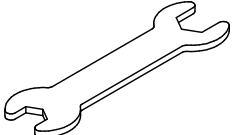
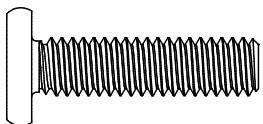

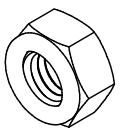
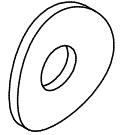


19 Bracket X 1

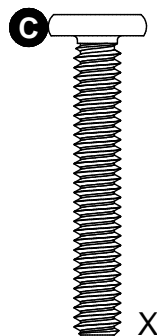
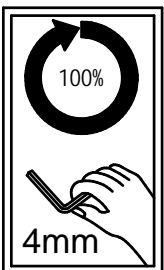
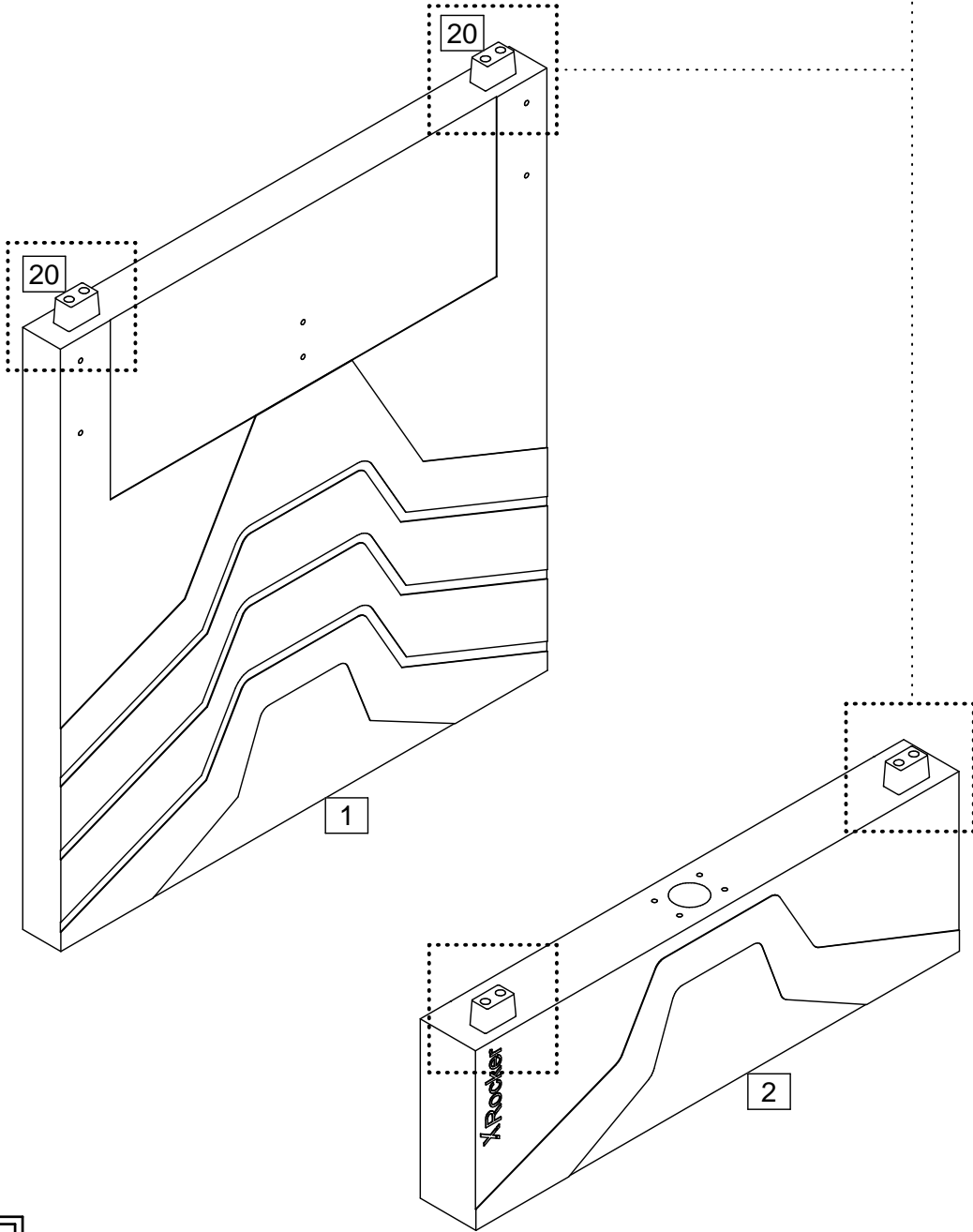
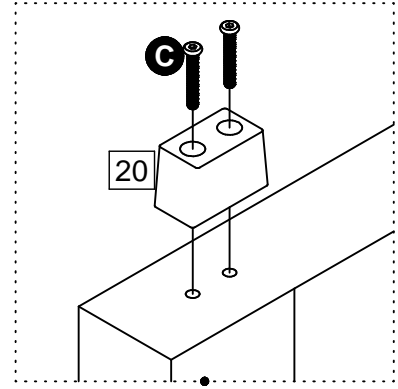


20 Leg X 4

Fittings

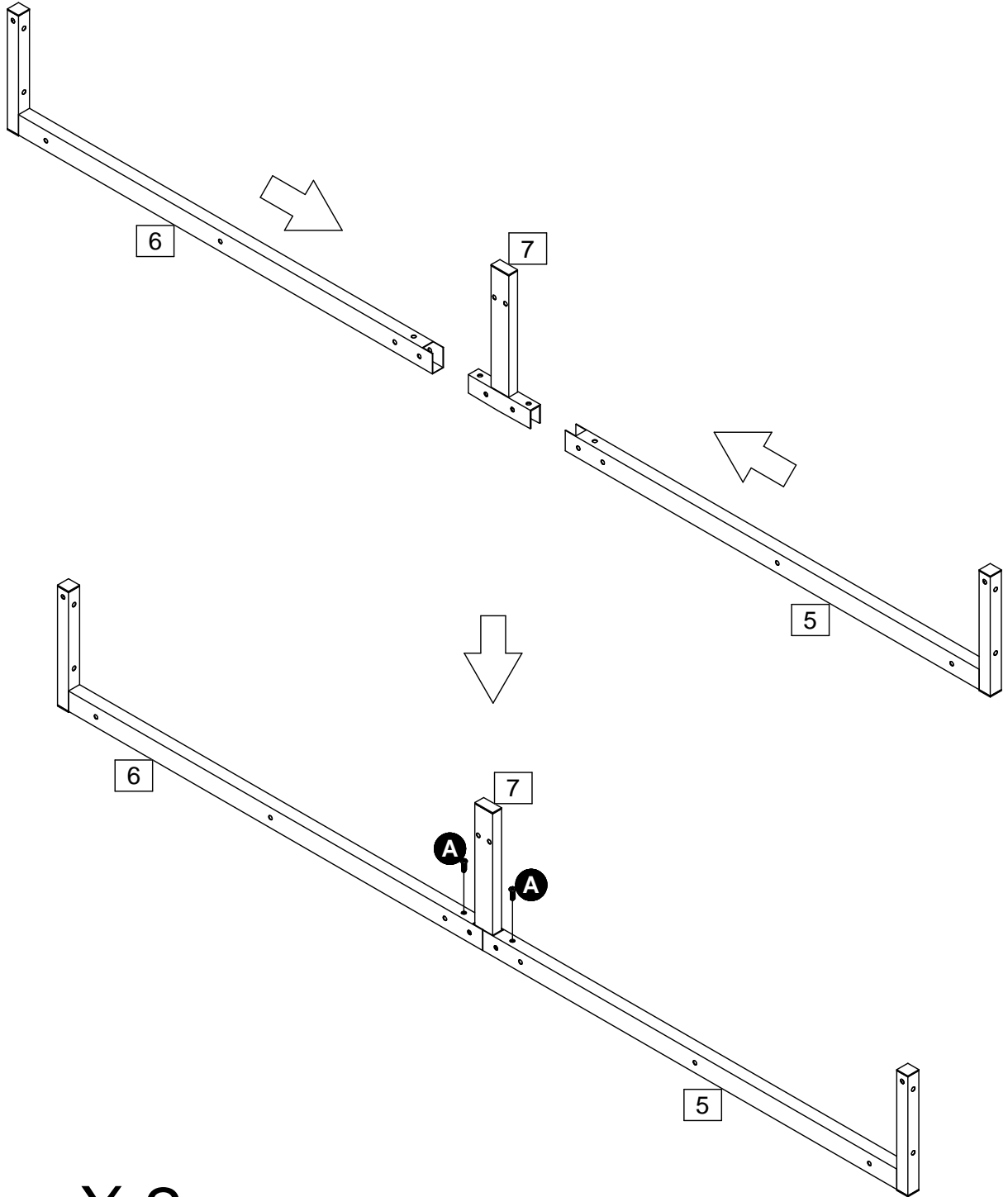
<p>A</p>  <p>19mm M6 Bolt x 36</p>	<p>G</p>  <p>M4 Metal washer x 4</p>
<p>B</p>  <p>35mm M6 Bolt x 4</p>	<p>H</p>  <p>Allen Key x 1</p>
<p>C</p>  <p>40mm M6 Bolt x 28</p>	<p>I</p>  <p>Wrench x 1</p>
<p>D</p>  <p>30mm M8 Bolt x 1</p>	<p>J</p>  <p>M6 washer x 2</p>
<p>E</p>  <p>Nut M6 x 1</p>	
<p>F</p>  <p>M6 washer x 2</p>	

1

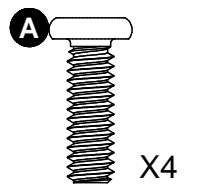
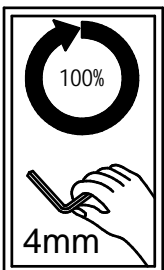


X4
7

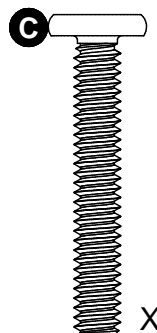
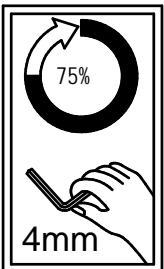
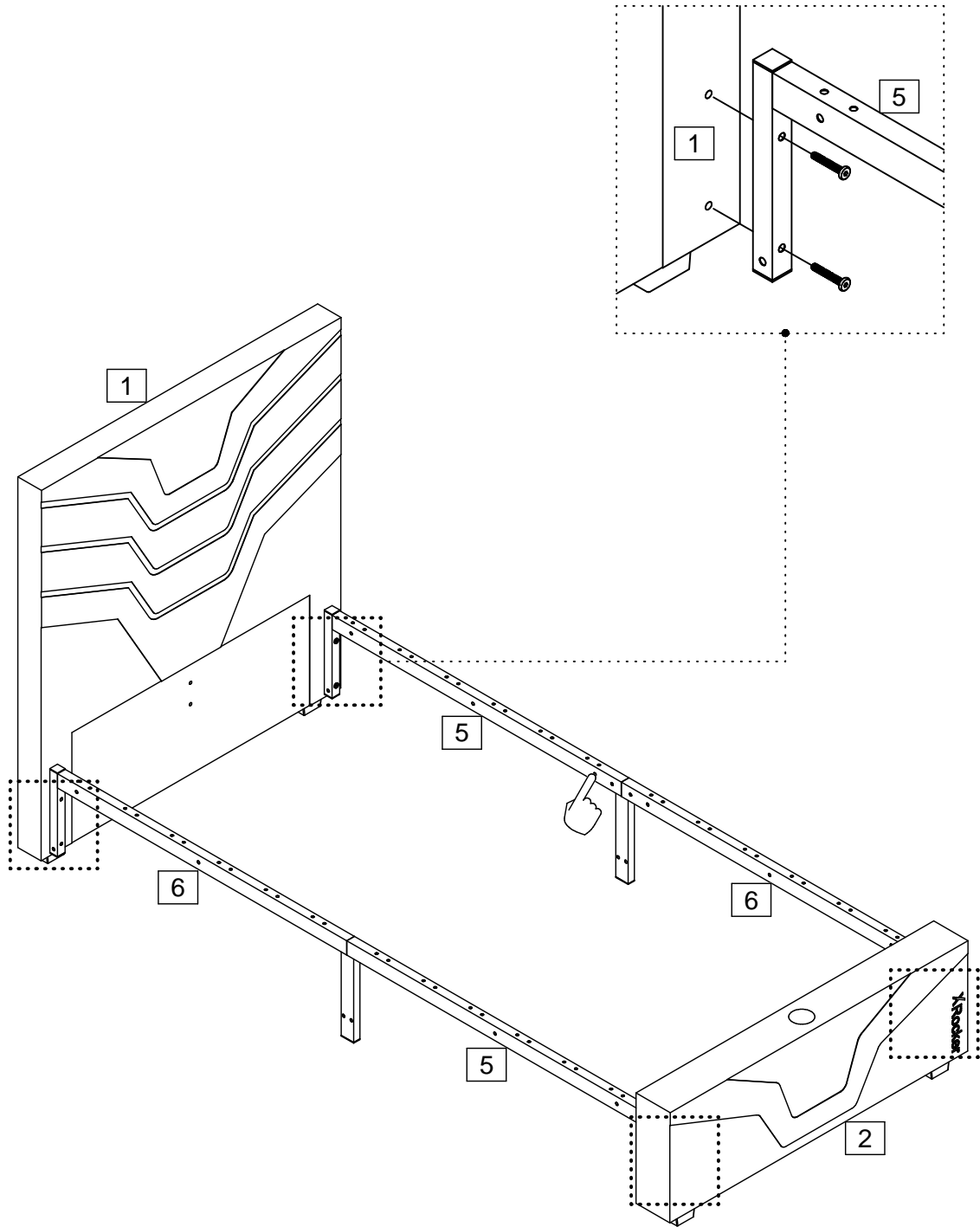
2



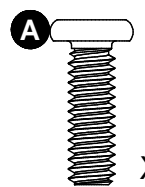
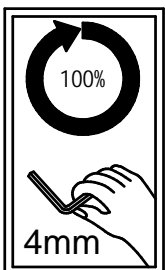
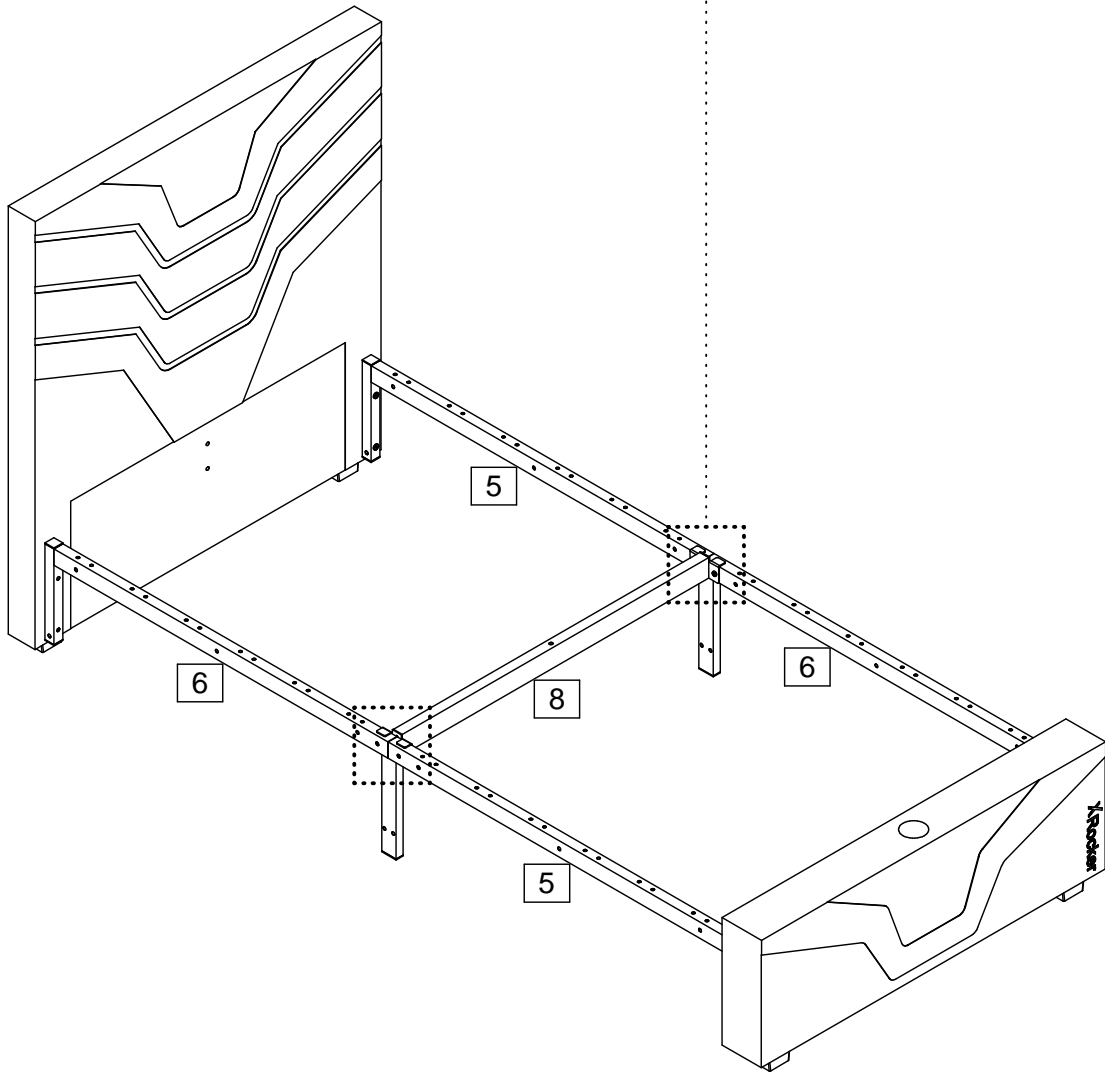
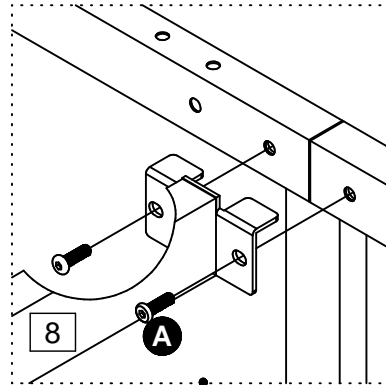
X 2



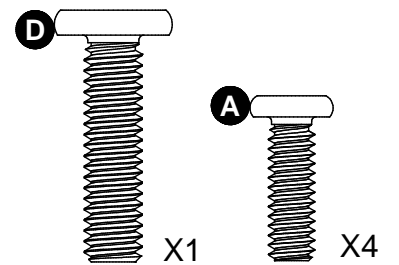
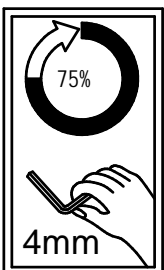
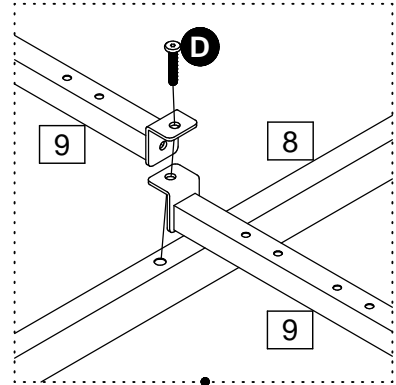
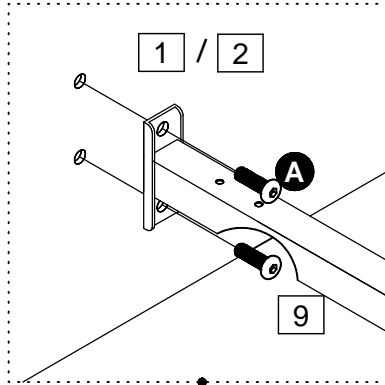
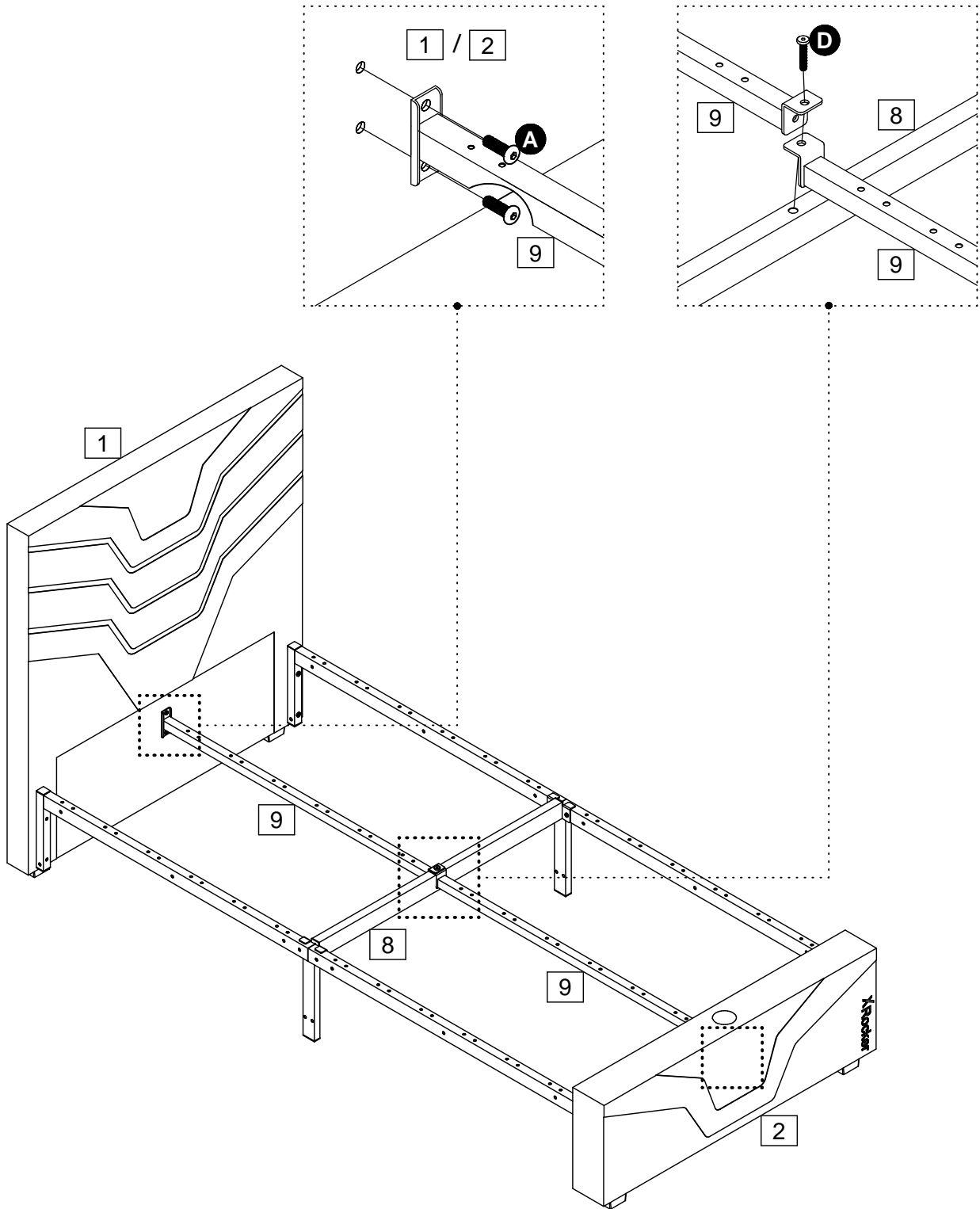
3



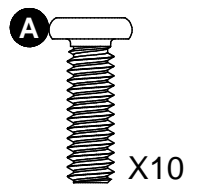
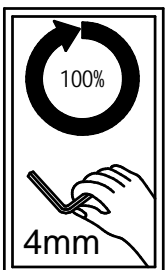
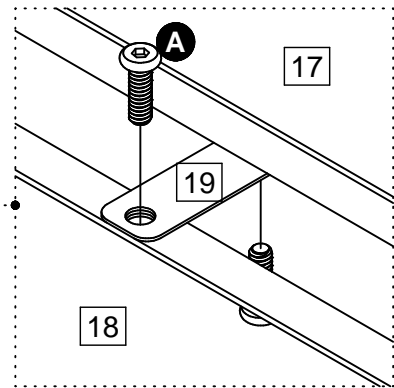
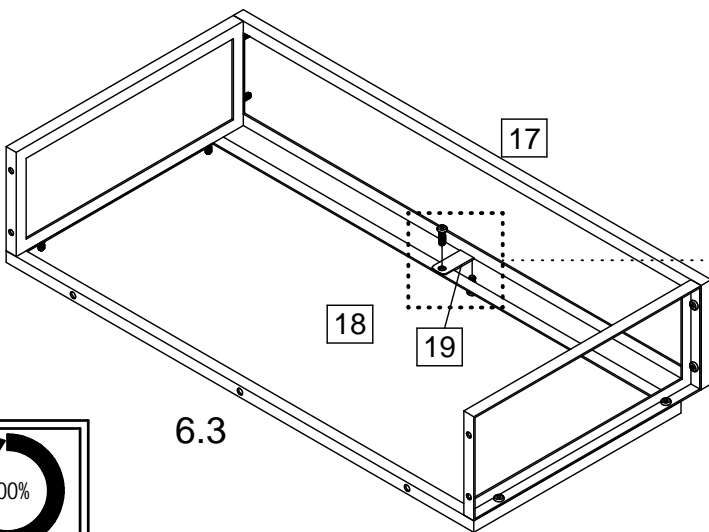
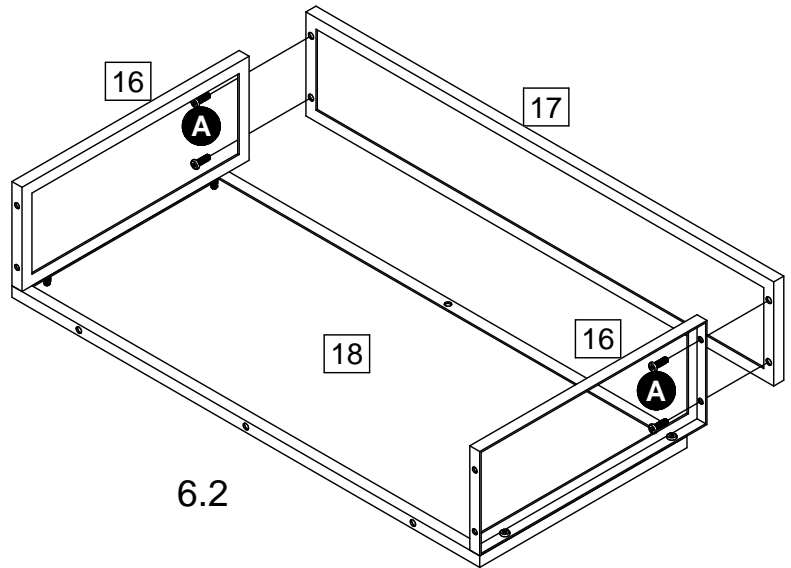
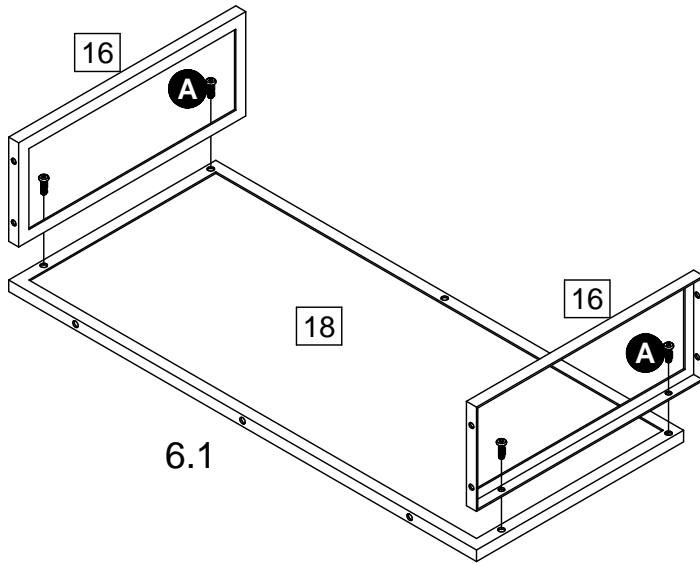
4



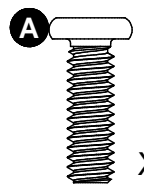
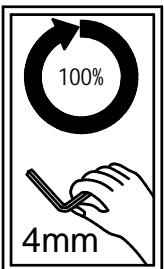
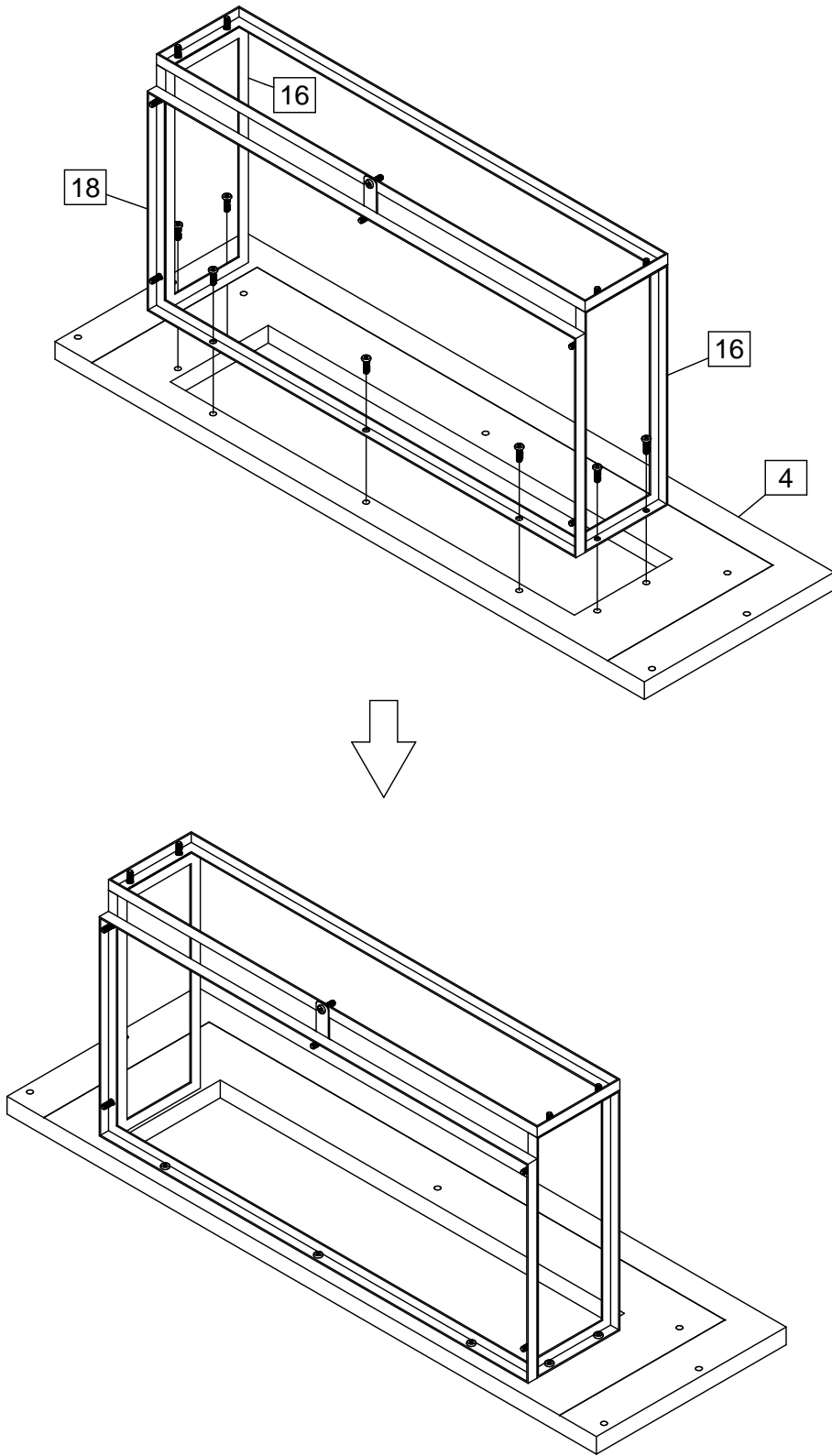
5



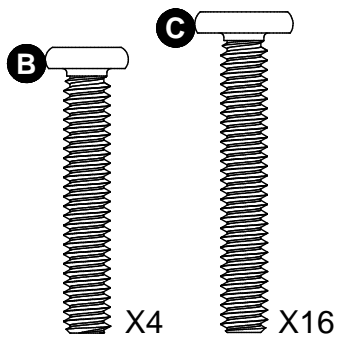
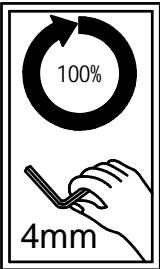
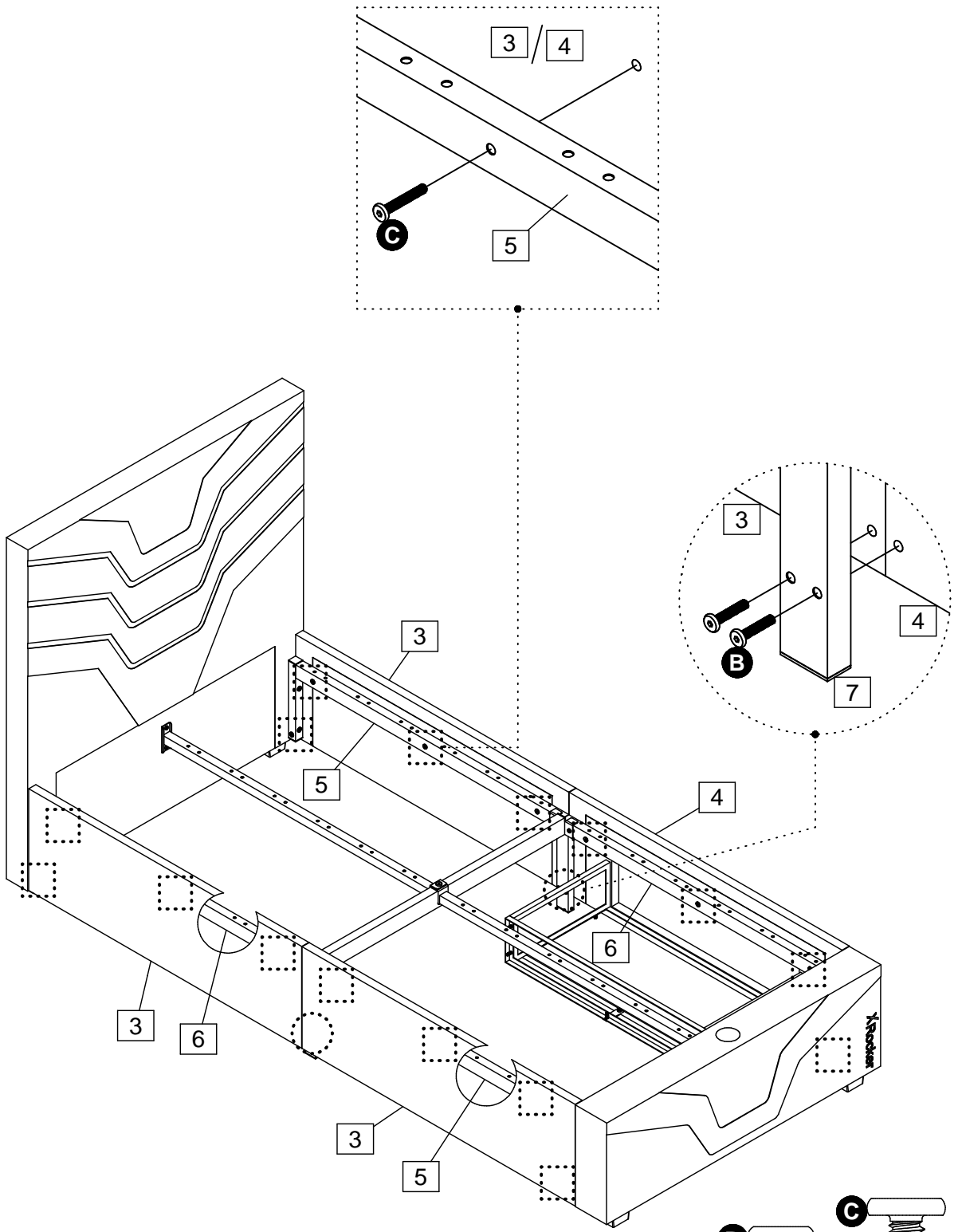
6



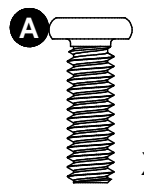
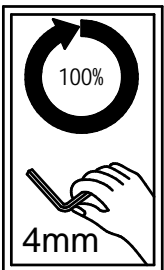
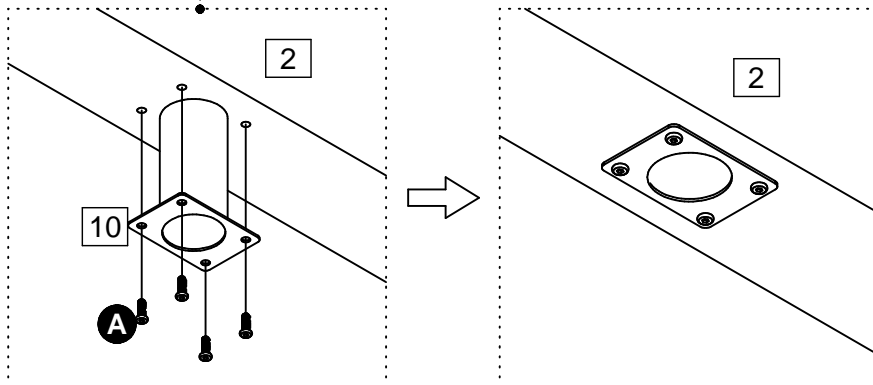
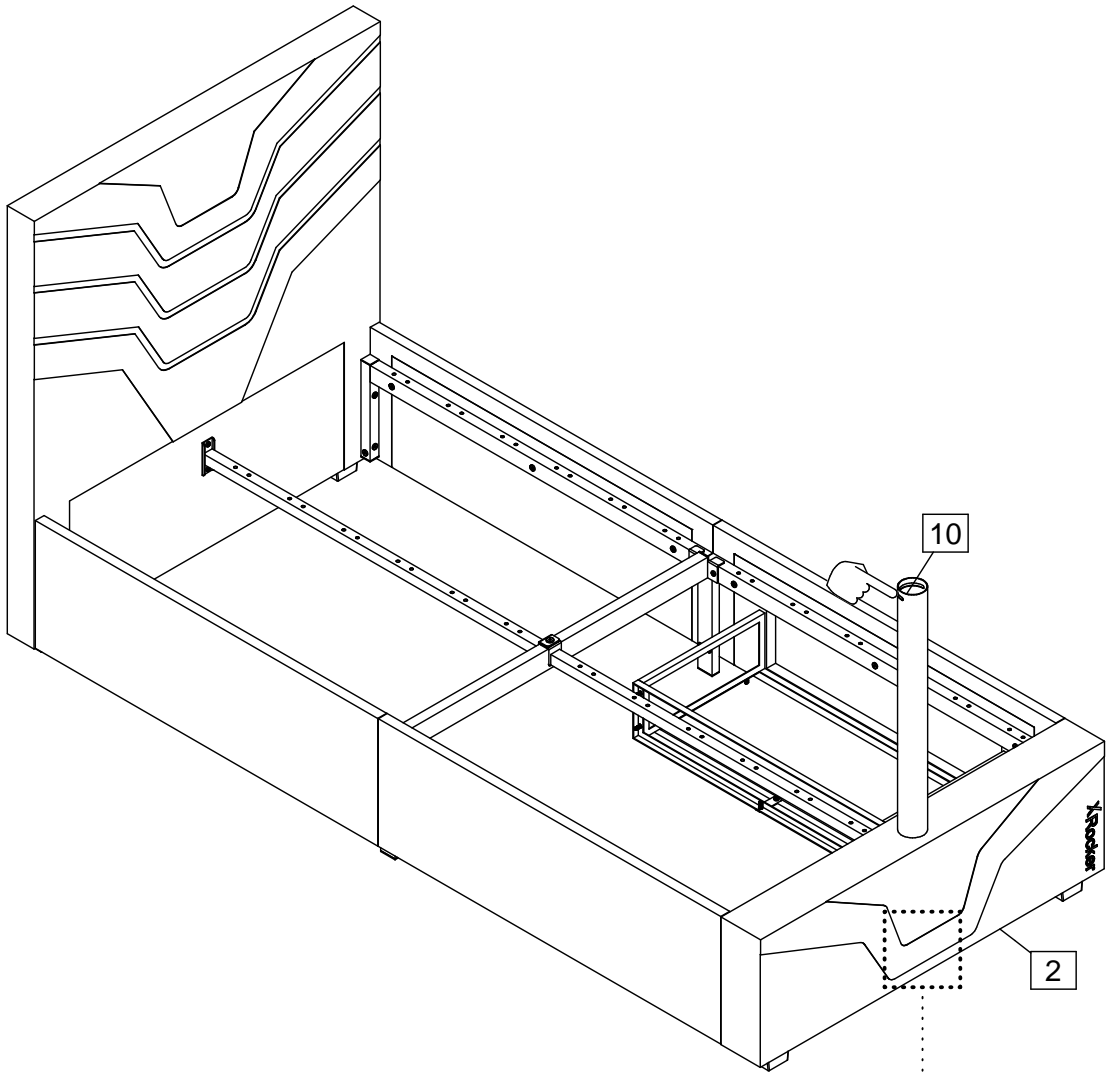
7



X7

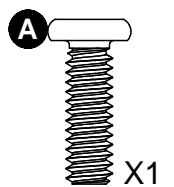
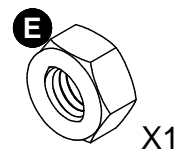
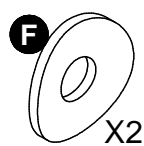
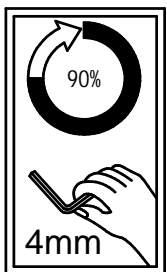
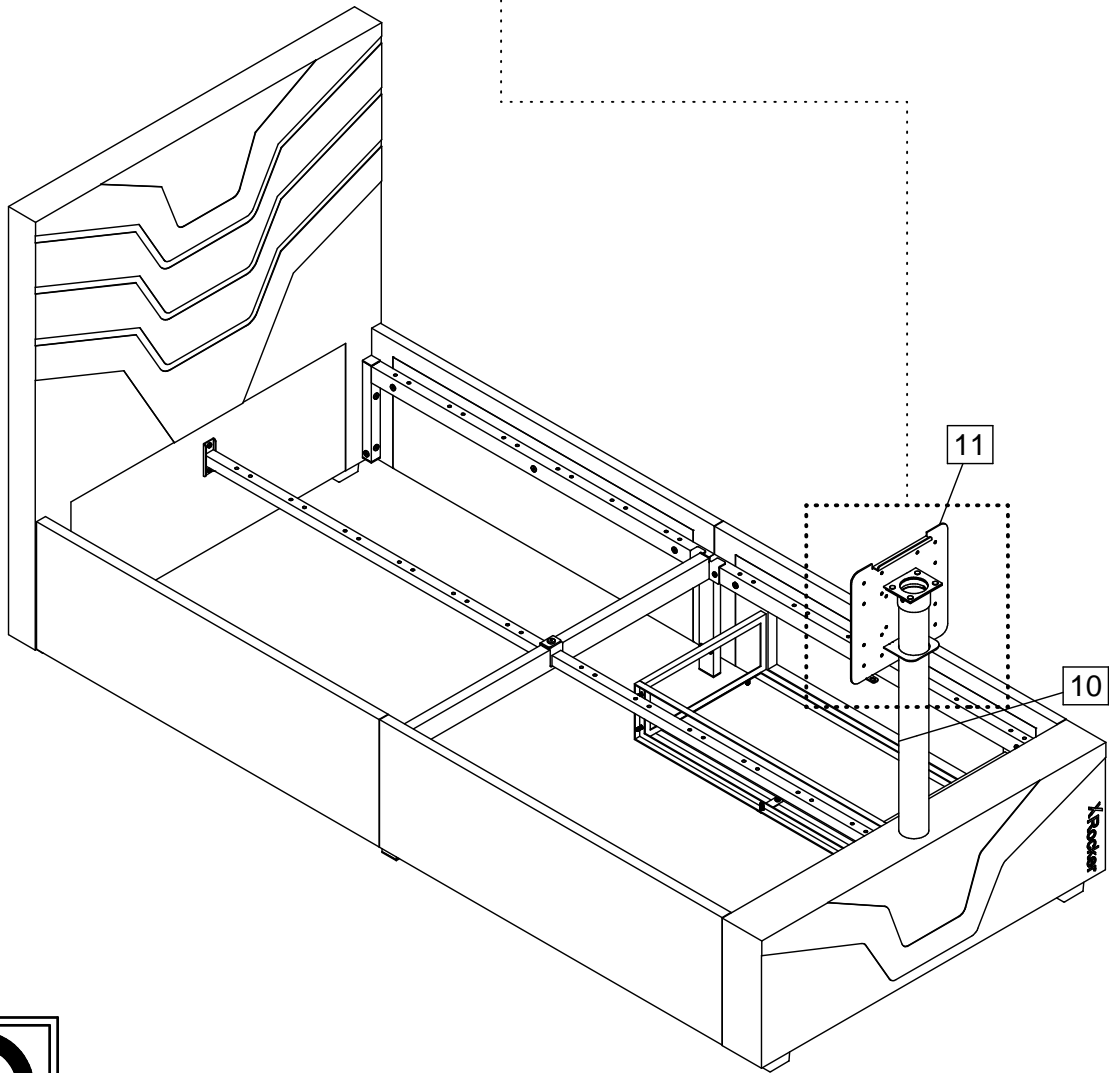
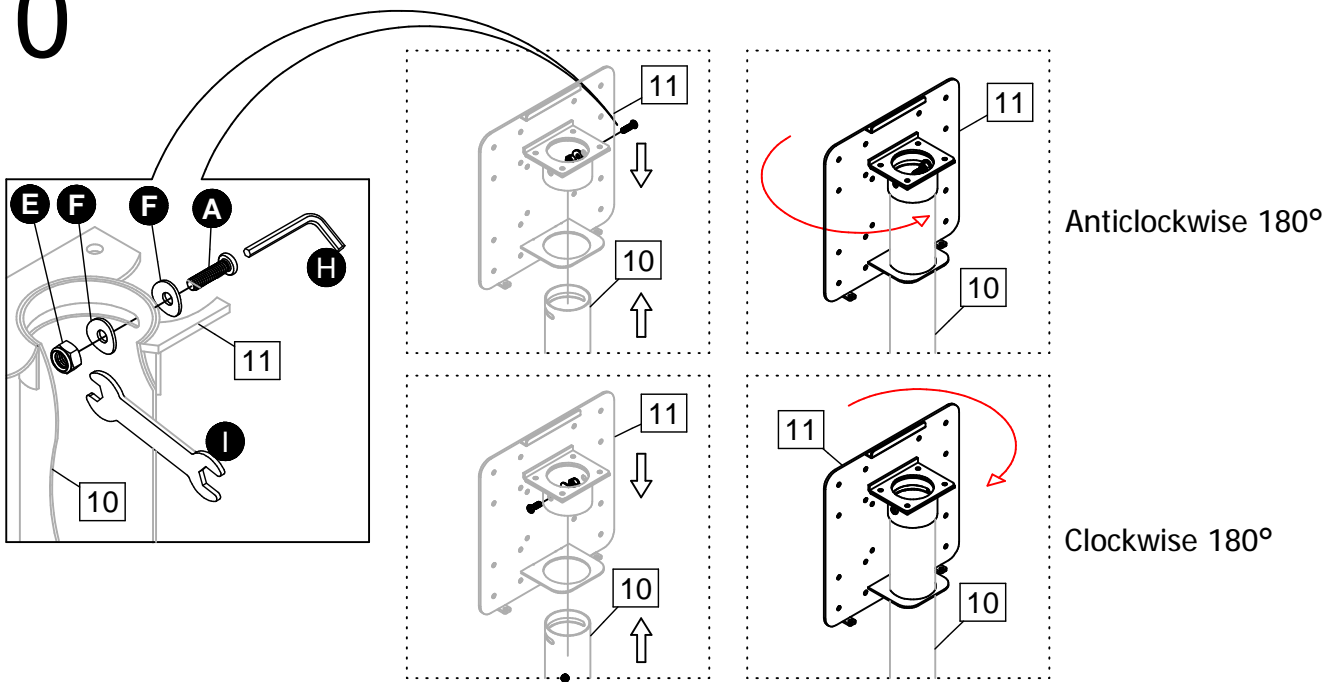


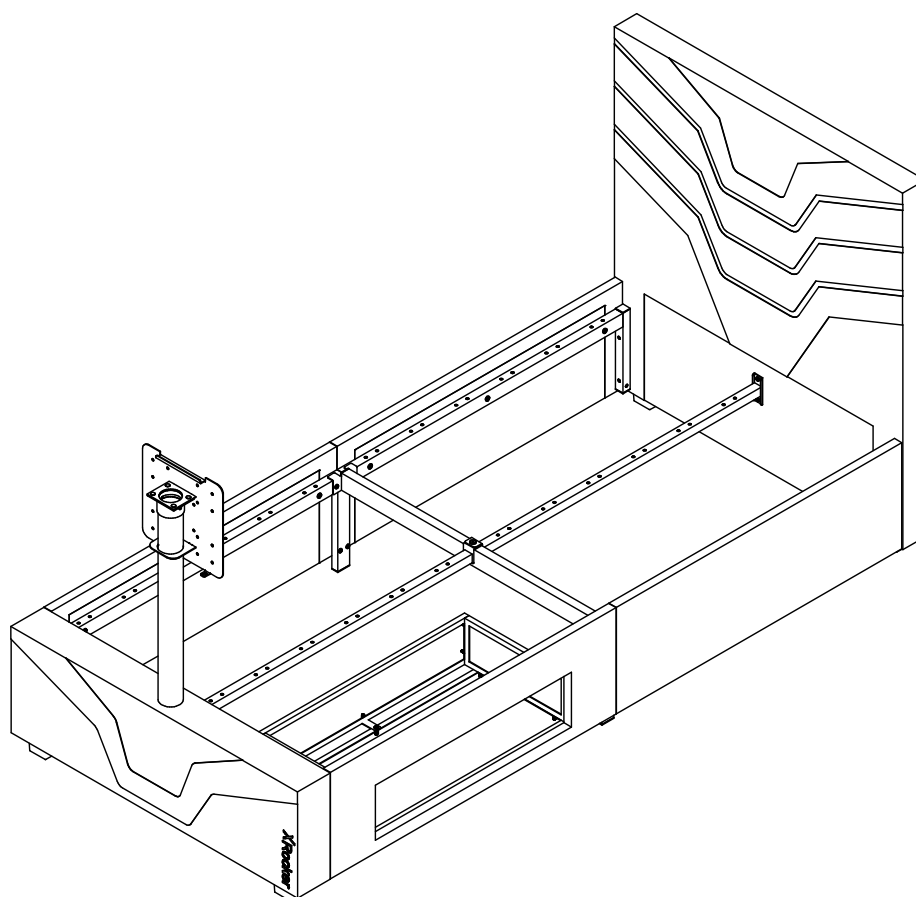
9



X4
15

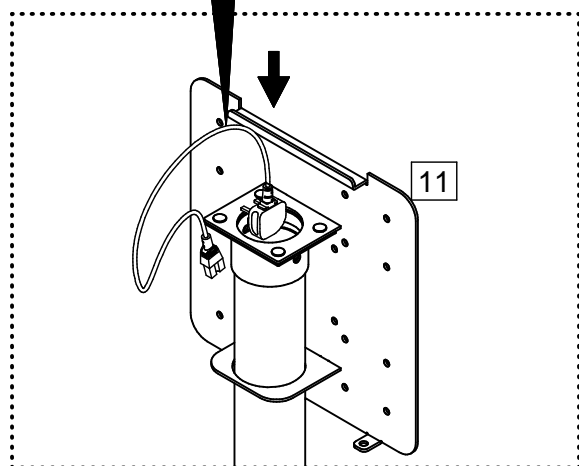
10



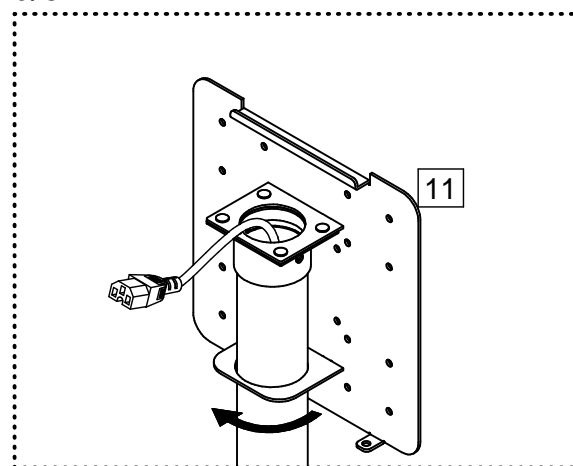


Not provided

a:

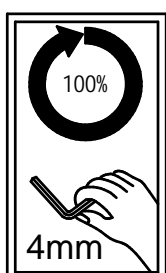


b/c:

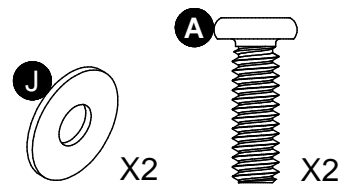
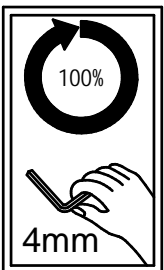
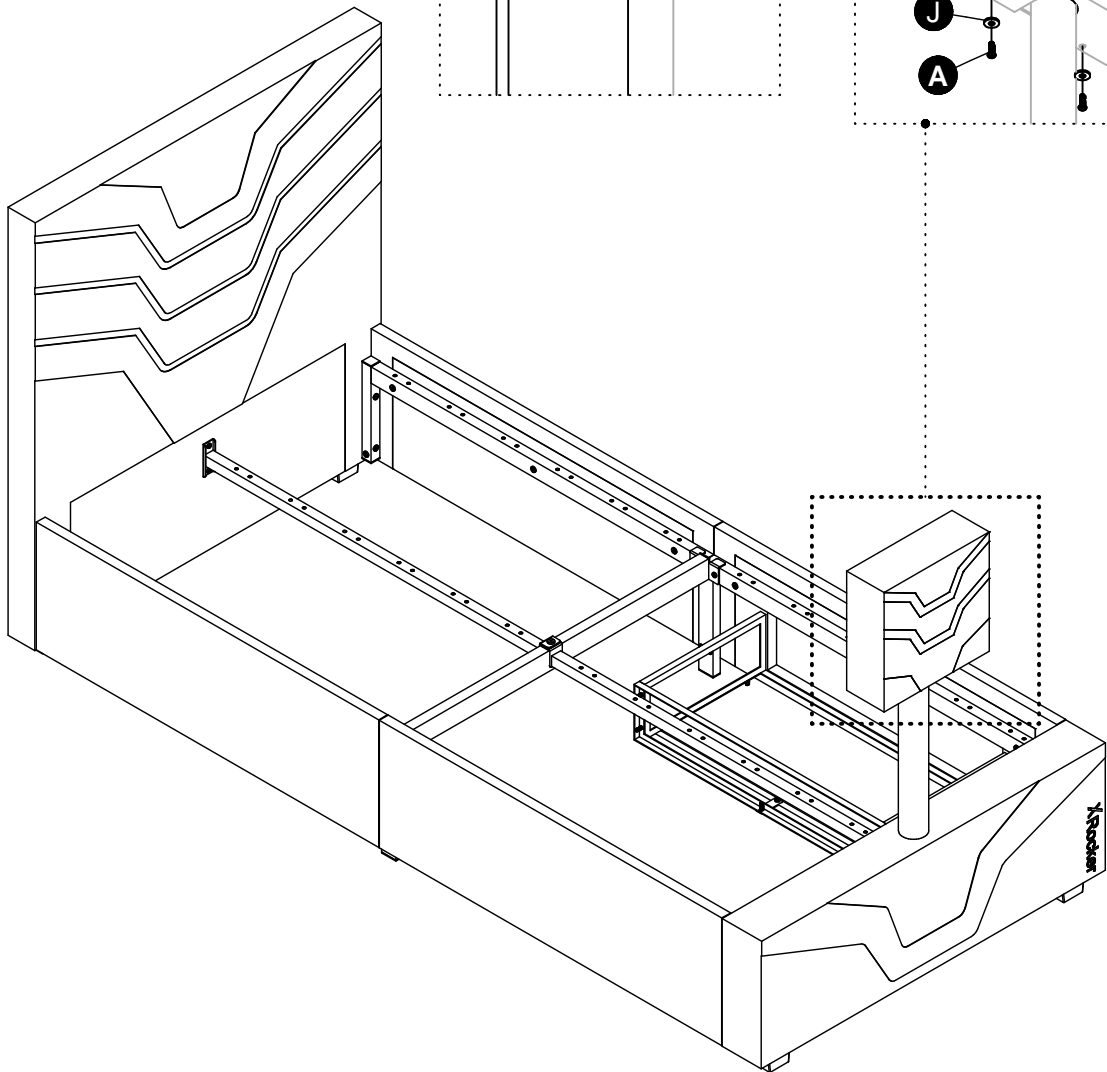
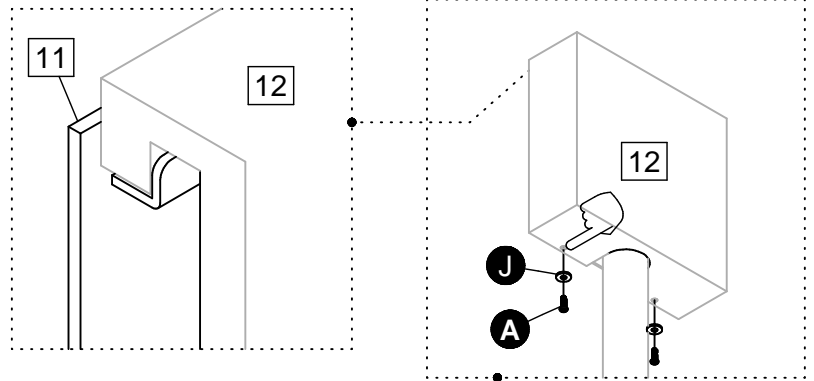
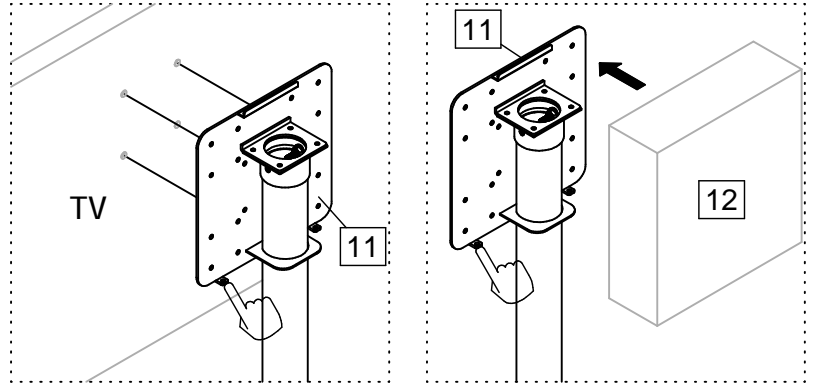


Note 1: The TV mount mates with M6 screw. If you're using M4 screw to assemble the TV screen, please use part G washer as provided to make sure M4 screw could be also workable for it.

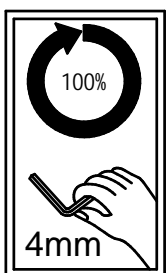
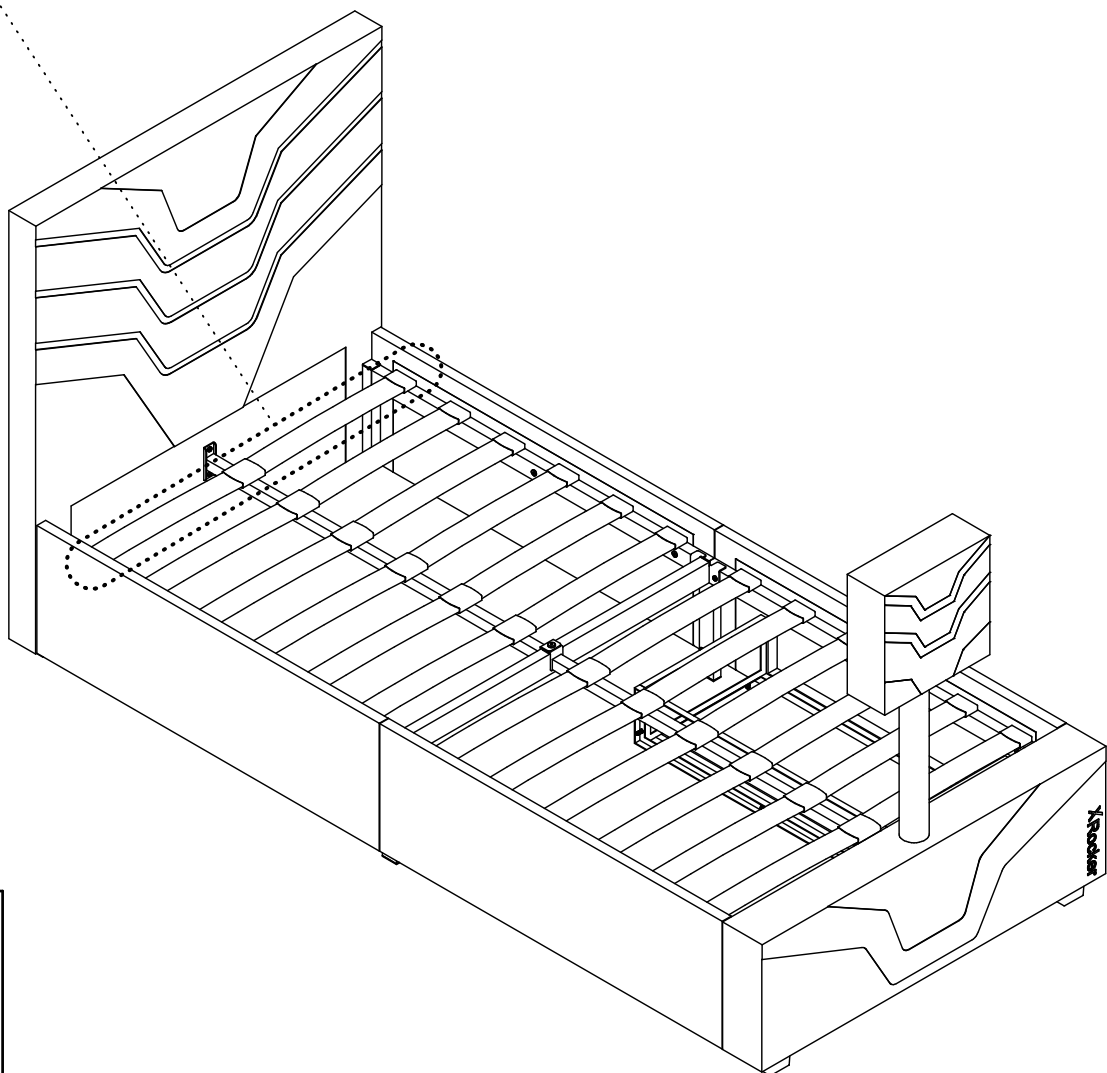
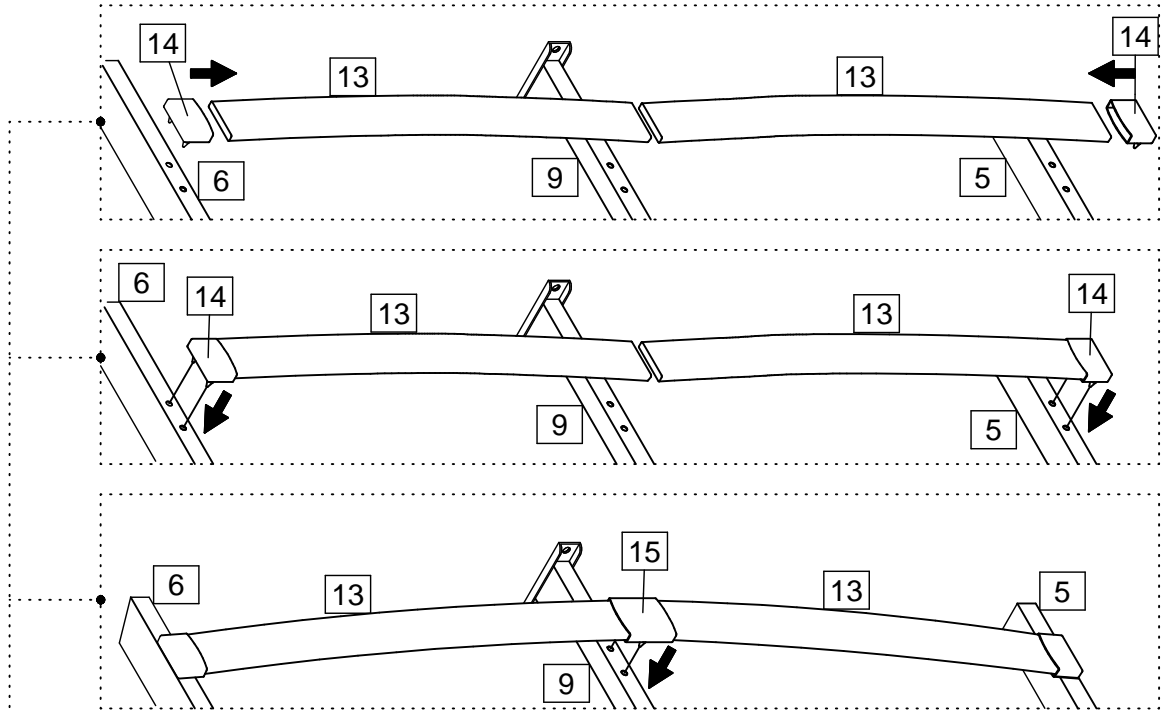
Note 2: If the TV pole can't be rotated freely, please loosen Screw **B** in step 10 a little. Do not 100% tighten it.

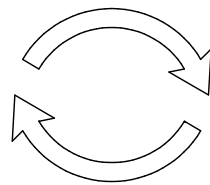
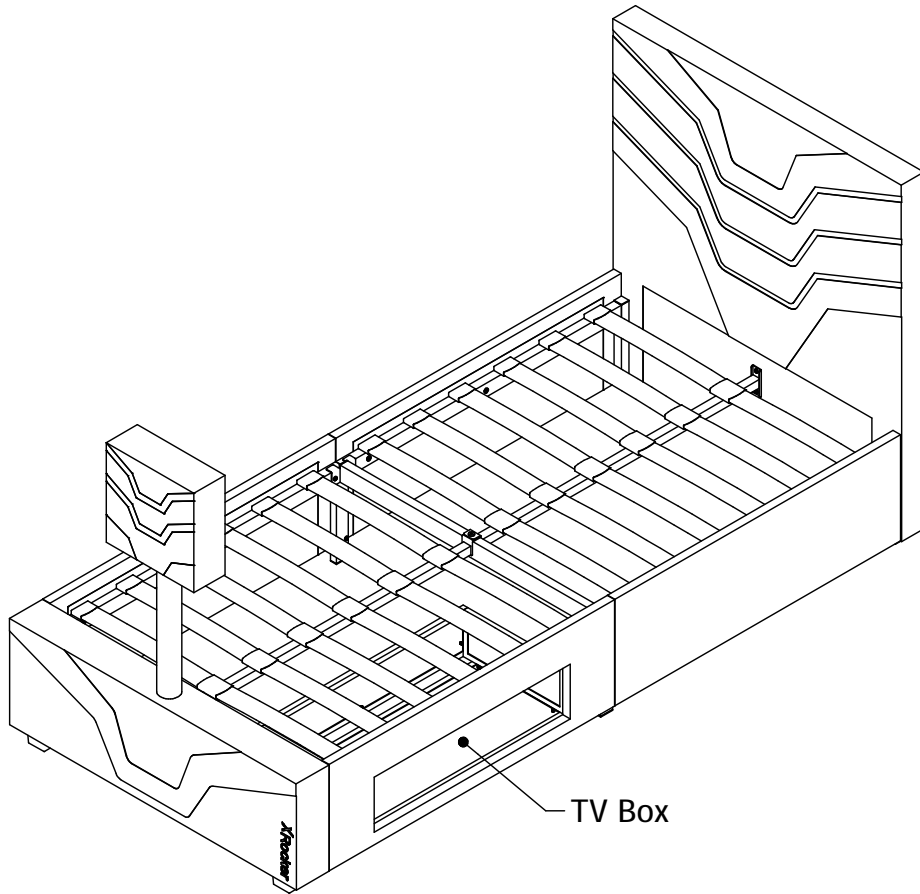


12

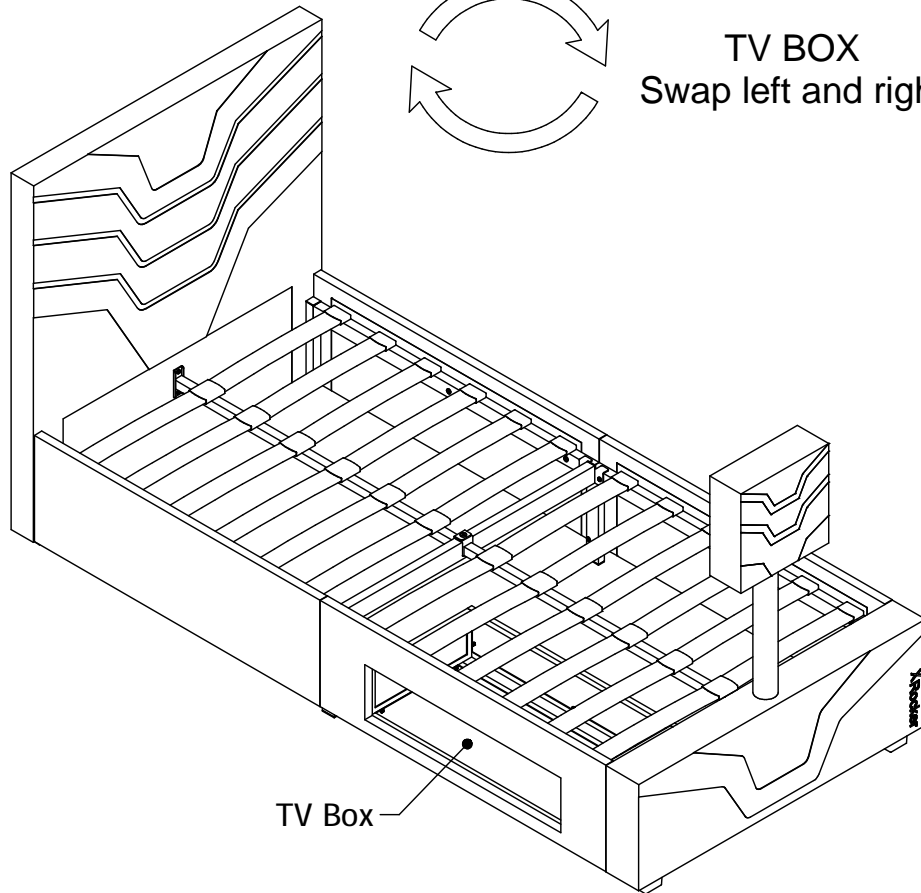


13





TV BOX
Swap left and right



Assembly is complete

