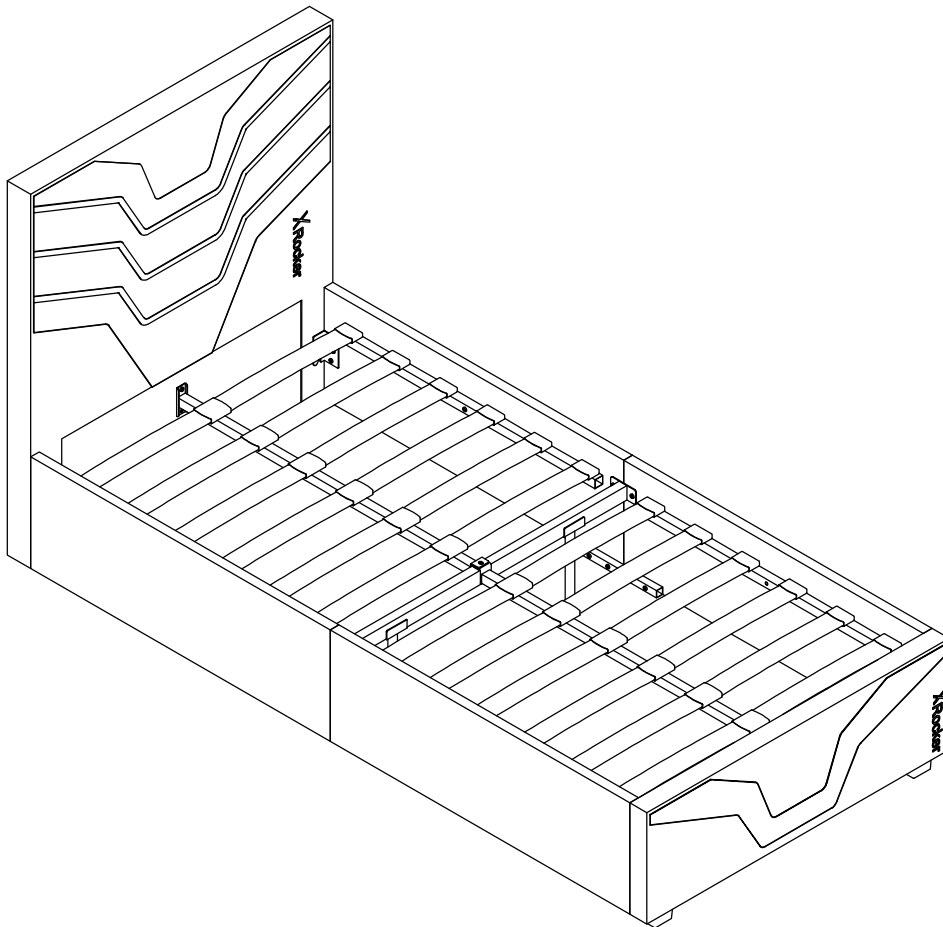


COSMOS RGB BED RGB

IMPORTANT – READ CAREFULLY – RETAIN FOR FUTURE REFERENCE

2112001

XRocker.



Dimensions

Width - 41.3in

Depth - 79.3in

Height - 42.5in

NEED HELP?

EMAIL: SUPPORT@XROCKERGAMING.COM

BESOIN D'AIDE?

COURRIEL: SUPPORT@XROCKERGAMING.COM

¿NECESITAS AYUDA?

CORREO ELECTRÓNICO: SUPPORT@XROCKERGAMING.COM

IMPORTANT: You must Keep your original retail receipt as proof of purchase.



Safety and Care Advice

Read Before Beginning Assembly

- Call 866-969-2603 if you need assistance.
- Work in a spacious area and near where the unit will be used, preferably on a carpet, or use a piece of the cardboard packaging to protect your floor and product.
- Recommended # of people needed for assembly: **2** (however it is always better to have an extra hand).
- Estimated assembly time is **1.5** hours.
- Make sure all parts are included. Most parts are labeled or stamped on the raw edge.
- Read each step carefully. It is very important that each step of the instructions is performed in the correct order. If these steps are not followed in sequence, assembly difficulties will occur.

Caution

- This product is designed for home use and not intended for commercial use.
- This product contains small components. Please ensure that they are kept away from small children.
- Clean the product with a soft damp cloth. **DO NOT** use harsh chemicals or abrasive cleaners.

Handy Hints

- Move your new furniture carefully, with two people lifting and carrying the unit to its new location.
- Your furniture can be disassembled and reassembled to move.
- Assemble all parts and bolts loosely during assembly, only once the product is complete should you fully tighten the bolts
- Regularly check and ensure that all bolts and fittings are tightened properly.



WARNINGS

- Always use the recommended size mattresses or mattress supports, or both, to help prevent the likelihood of entrapment or falls.
- Use only a mattress which is 74"-75" long and 37 1/2"-38 1/2" wide.
- This bed is not intended for use by children under 4 years old.
- Do not allow horseplay on or under the bed and prohibit jumping on the bed.
- Do not use substitute parts. Contact the manufacturer or dealer for replacement parts.
- The use of water or sleep flotation mattresses is prohibited.
- Do not use risers under this bed.
- Keep these instructions for future reference.



Safety and Care Advice

Avant de commencer l'assemblage

- Si vous avez besoin d'aide, appelez notre numéro de service 866-969-2603.
- Travaillez dans un endroit spacieux et près du lieu où l'unité sera utilisée, préférablement sur un tapis, ou sur un morceau de l'emballage, afin de protéger le plancher et le produit.
- **Nombre de personnes recommandées pour l'assemblage : 2** (cependant il est toujours préférable d'être assisté par une personne supplémentaire).
- **Temps d'assemblage estimé : 1.5 heures.**
- Assurez-vous d'avoir bien reçu toutes les pièces. La plupart de celles-ci sont étiquetées ou estampées sur leur côté non fini.
- Lire attentivement chaque étape avant de débiter. Il est très important que chaque étape de montage soit exécutée dans le bon ordre, sinon vous risquez d'éprouver de la difficulté à assembler votre meuble.

Précautions

- Ce produit est conçu pour un usage domestique et n'est pas destiné à des fins commerciales.
- **AVERTISSEMENT CONCERNANT LES JEUNES ENFANTS:** Ce produit contient des petits composants. S'il vous plaît assurez-vous qu'ils soient gardés loin d'eux.
- Certaines pièces ont été pré-assemblées. Elles sont illustrées sur cette page et elles sont disponibles pour un remplacement.

Conseils utiles

- Déplacez votre nouveau mobilier avec soin, nous recommandons soulever et transporter le mobilier vers son nouvel emplacement à deux.
- Votre mobilier peut être démonté et ré-assemblé pour faciliter les déménagements.
- Assemblez toutes les pièces et les boulons desserrés pendant l'assemblage, seulement une fois le produit terminé, si vous serrez complètement les boulons.
- Vérifiez régulièrement et assurez-vous que tous les boulons et raccords sont bien serrés.



Avertissements

- Utilisez toujours la dimension recommandée de matelas, ou de support de matelas, ou les deux pour aider à prévenir les risques possibles de coincage ou de chute.
- Utilisez uniquement un matelas de 74" - 75" de long par 37 1/2"-38 1/2" de large.
- Ce lit n'est pas conçu pour être utilisé par des enfants de moins de 4 ans.
- Ne jouez pas sur ou sous le lit et ne sautez pas sur le lit.
- Ne substituez pas de pièces. Communiquez avec ACE pour obtenir des pièces de rechange.
- L'utilisation de matelas d'eau ou de matelas gonflable est strictement interdite.
- Ne pas utiliser de rehausseur de lit sous ce produit.
- Conservez ces instructions pour référence ultérieure.



Safety and Care Advice

Lea antes de comenzar a ensamblar

- Llame a nuestro número 866-969-2603 si necesita asistencia.
- Trabaje en un área espaciosa y cerca de donde su producto será utilizado, preferiblemente sobre una alfombra o utilice el cartón del empaque para proteger su piso y su producto.
- **El número de personas recomendadas para el montaje de este producto es: 2** (sin embargo es recomendable contar con ayuda adicional).
- **Tiempo estimado de ensamble es: 1.5 Horas.**
- Asegúrese de que todas las partes están incluidas. La mayoría de las partes están etiquetadas o selladas en los bordes.
- Lea cada paso cuidadosamente. Es muy importante que cada paso de las instrucciones sea realizado en el orden correcto. Si estos pasos no se siguen en secuencia, pueden ocurrir dificultades durante el ensamblado.

Precauciones

- Este producto está diseñado para uso doméstico y no para uso comercial.
- **ADVERTENCIA PARA NIÑOS PEQUEÑOS** - Este producto contiene componentes pequeños. Por favor asegúrese de que las piezas estén fuera del alcance de los niños.
- Algunas partes han sido pre-ensambladas en este producto. Se encuentran ilustradas en esta página y disponibles para reemplazo.

Consejos útiles

- Mueva sus muebles nuevos con cuidado, se requiere de dos personas para levantar y trasladar su producto a su nueva ubicación.
- Sus muebles se pueden desmontar y volver a ensamblar en caso de mudanza.
- Ensamble todas las piezas y pernos sueltos durante el ensamblaje, solo una vez que el producto esté completo, debe apretar completamente los pernos.
- Verifique y asegúrese regularmente de que todos los pernos y accesorios estén apretados correctamente.

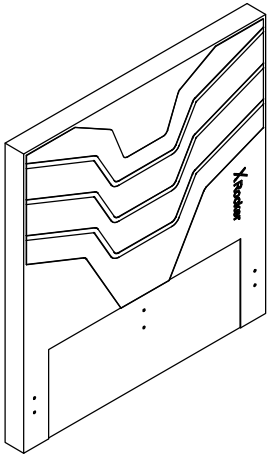


Precauciones

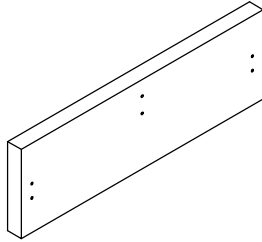
- Utilice siempre el colchón del tamaño recomendado, el soporte del colchón recomendado, o ambos, para ayudar a prevenir la probabilidad de quedar atrapado o de caídas.
- Utilice únicamente un colchón que sea de 74" - 75" de largo y 37 1/2"-38 1/2" de ancho.
- Este producto no ha sido diseñado para ser utilizado por niños menores de 4 años.
- No permita jugar en o debajo de la cama y prohíba saltar en la cama.
- No utilice piezas sustitutas. Entre en contacto con ACE para las piezas de reemplazo.
- Se prohíbe el uso de colchones de agua.
- No utilice elevadores para cama con este producto.
- Guarde estas instrucciones para futura referencia.

Components - Panels

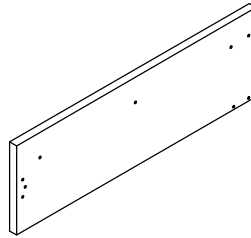
Please check you have all the panels listed below



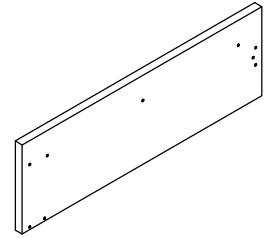
1 Headboard x1



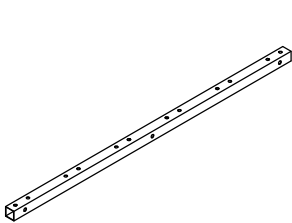
2 Footboard x1



3 Side Panel x2



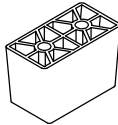
4 Side Panel x2



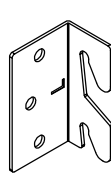
5 Side Rail x4



6 Support Leg x2



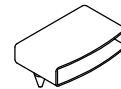
7 Leg x4



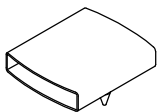
9 Bracket x2



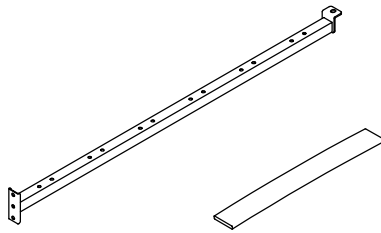
10 Bracket x2



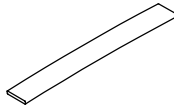
11 Single Slat Cap x24



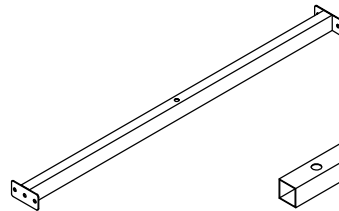
12 Double Slat Cap x12



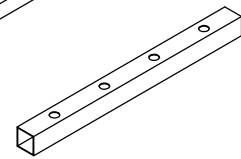
13 Center Rail x2



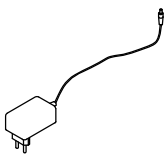
14 Wooden Slats x24



15 Center Rail x1



17 Side Rail x2


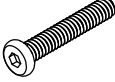
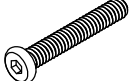
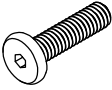
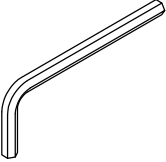


37 LED Driver x1

Components - Fittings

Please check you have all the panels listed below

Note: The quantities below are the correct amount to complete the assembly. In some cases more fittings may be supplied are required.

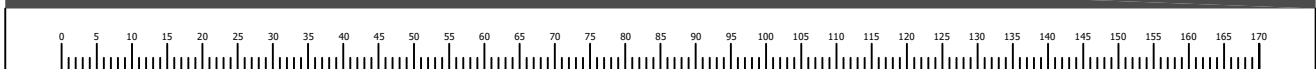
<p>A</p>  <p>20mm M6 Bolt x 28</p>	<p>B</p>  <p>35mm M6 Bolt x 12</p>	<p>C</p>  <p>40mm M6 Bolt x 20</p>
<p>D</p>  <p>30mm M8 Bolt x 1</p>	<p>E</p>  <p>Allen Key x 1</p>	

Tools required



Ruler/tape
measure

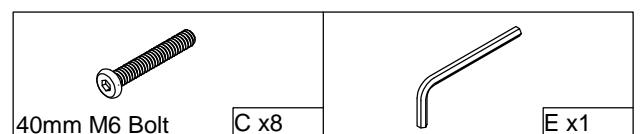
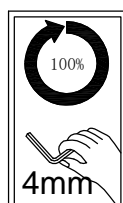
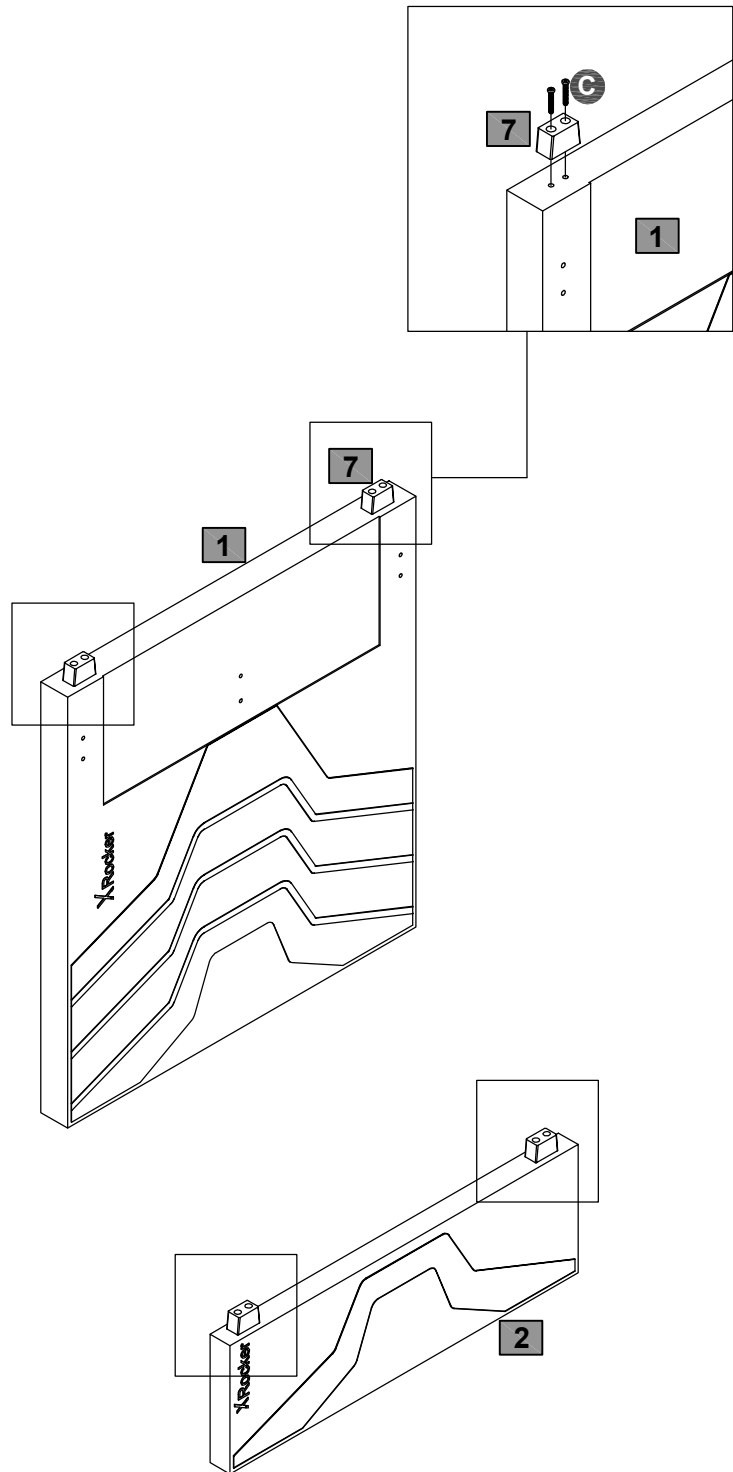
Ruler - User this ruler to help correctly identify the screws



Assembly Instructions

Step 1

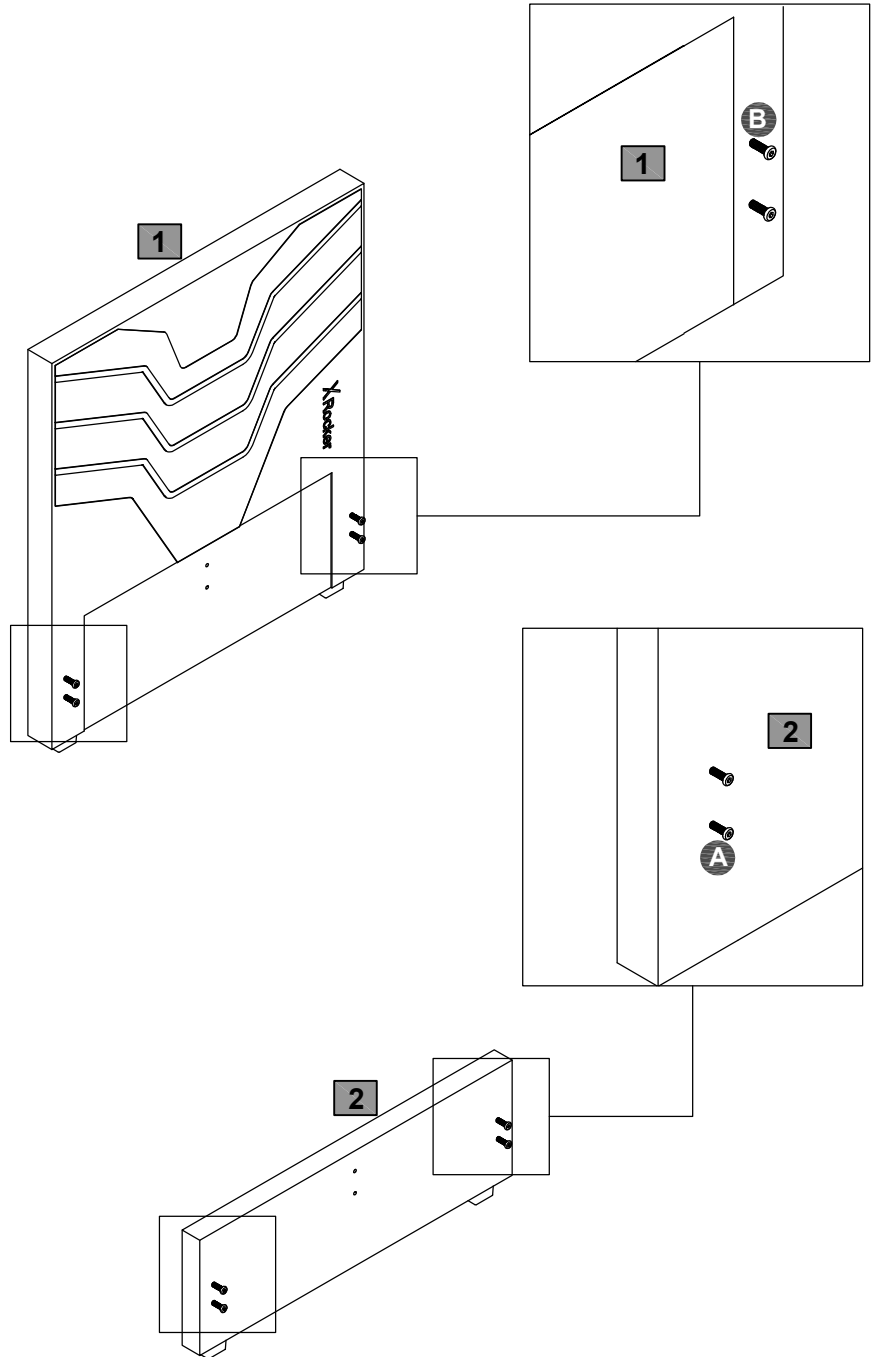
Attach **7** to **1** and **2**
with **C**.


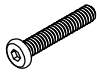



Assembly Instructions

Step 2

Screw **B** into **1** and **A** into **2**, leave half of the thread exposed.



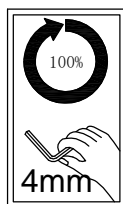
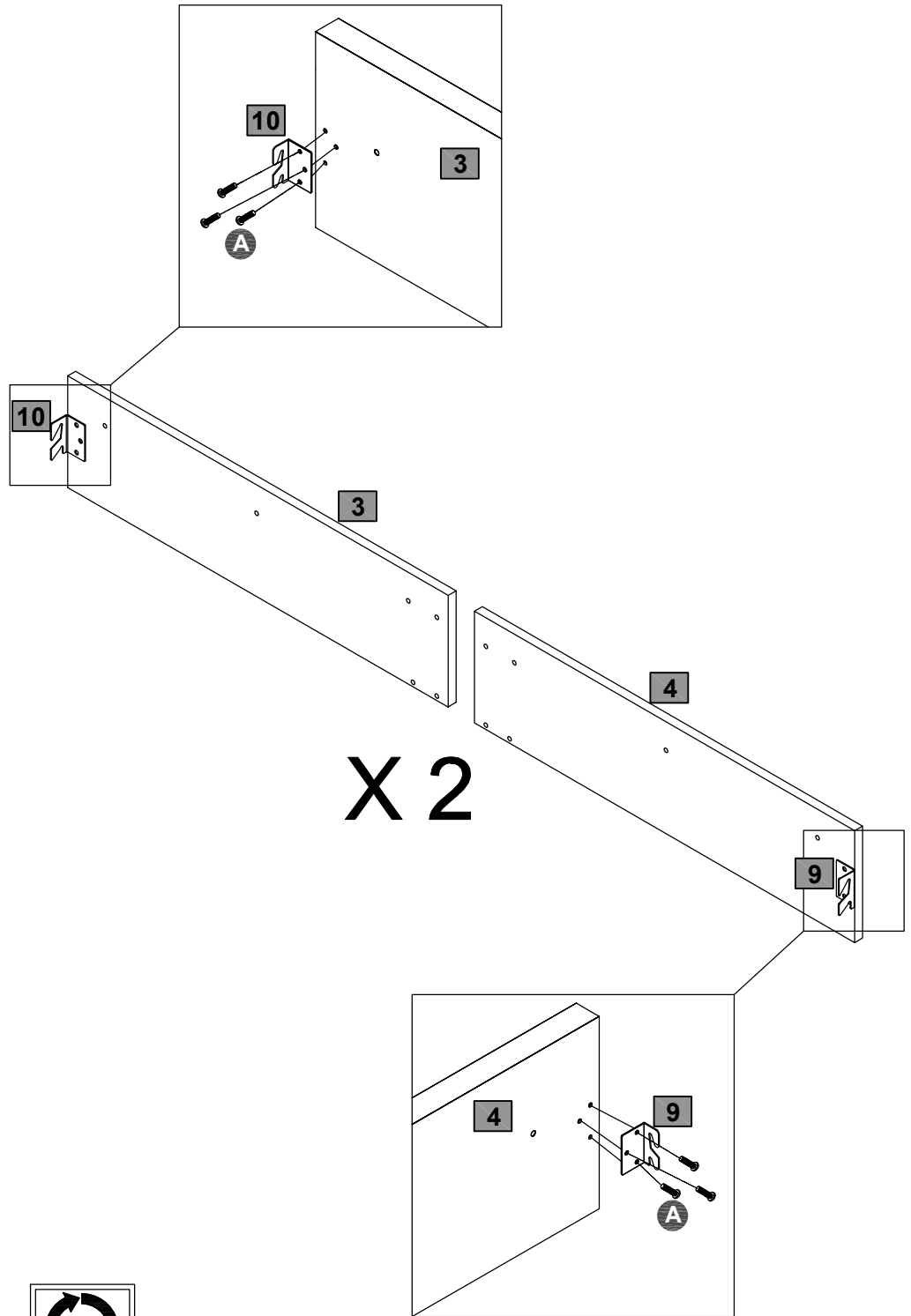
		
20mm M6 Bolt	35mm M6 Bolt	
A x4	B x4	E x1



Assembly Instructions

Step 3

Attach **10** to **3** with **A**.

Attach **9** to **4** with **A**.

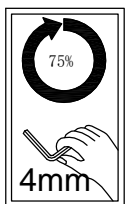
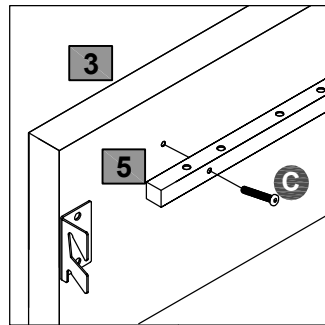
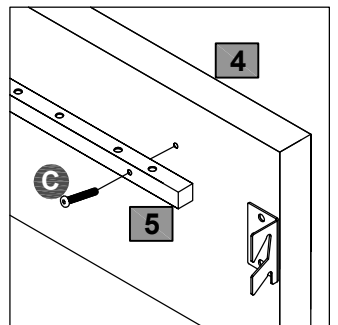
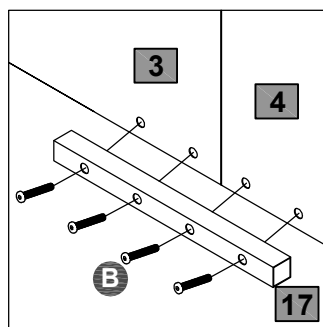
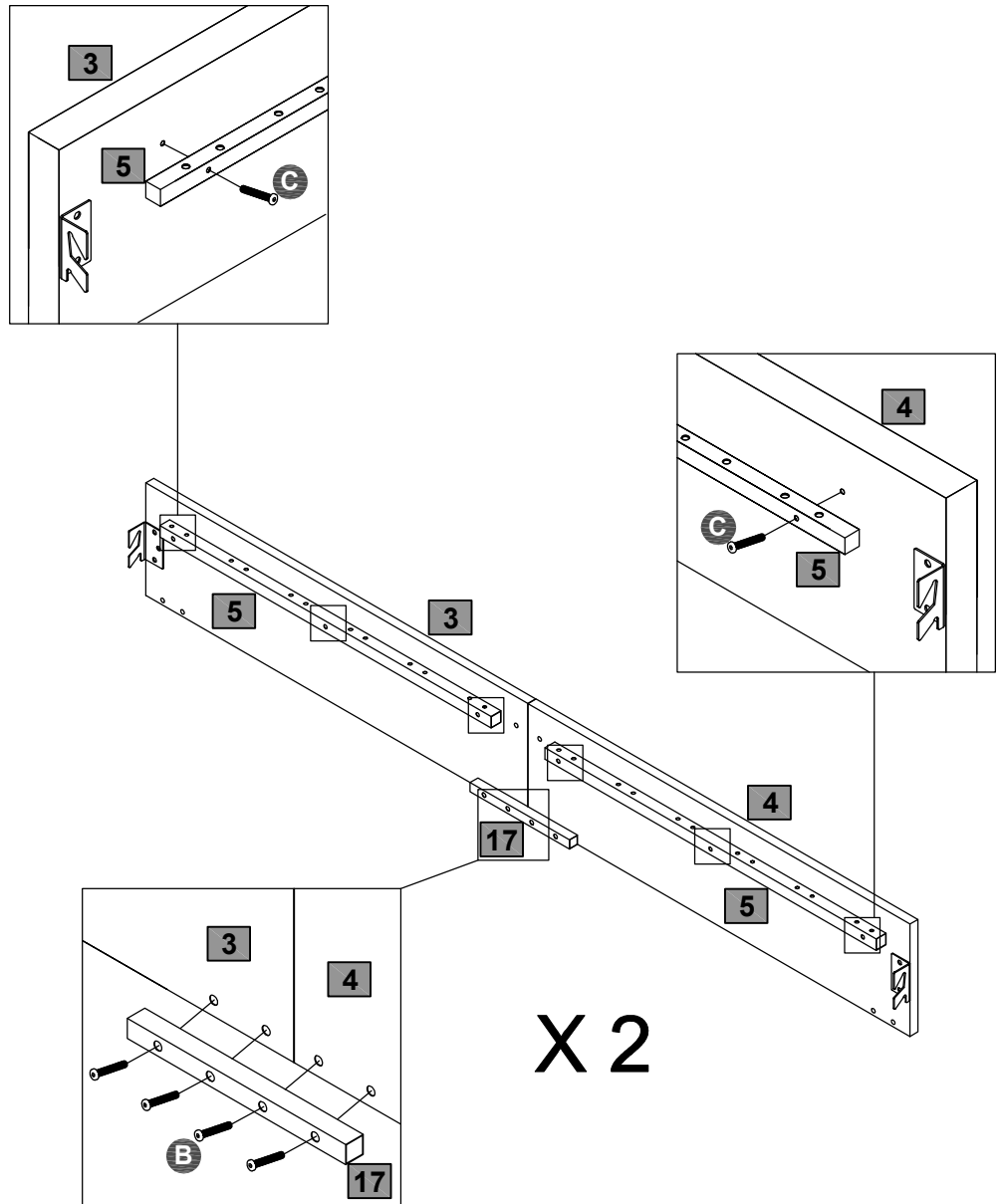



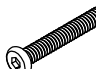

	
20mm M6 Bolt	A x12
	E x1

Assembly Instructions

Step 4

Attach **5** to **3** and **4** with **C**.
Attach **17** to **3** and **4** with **B**.

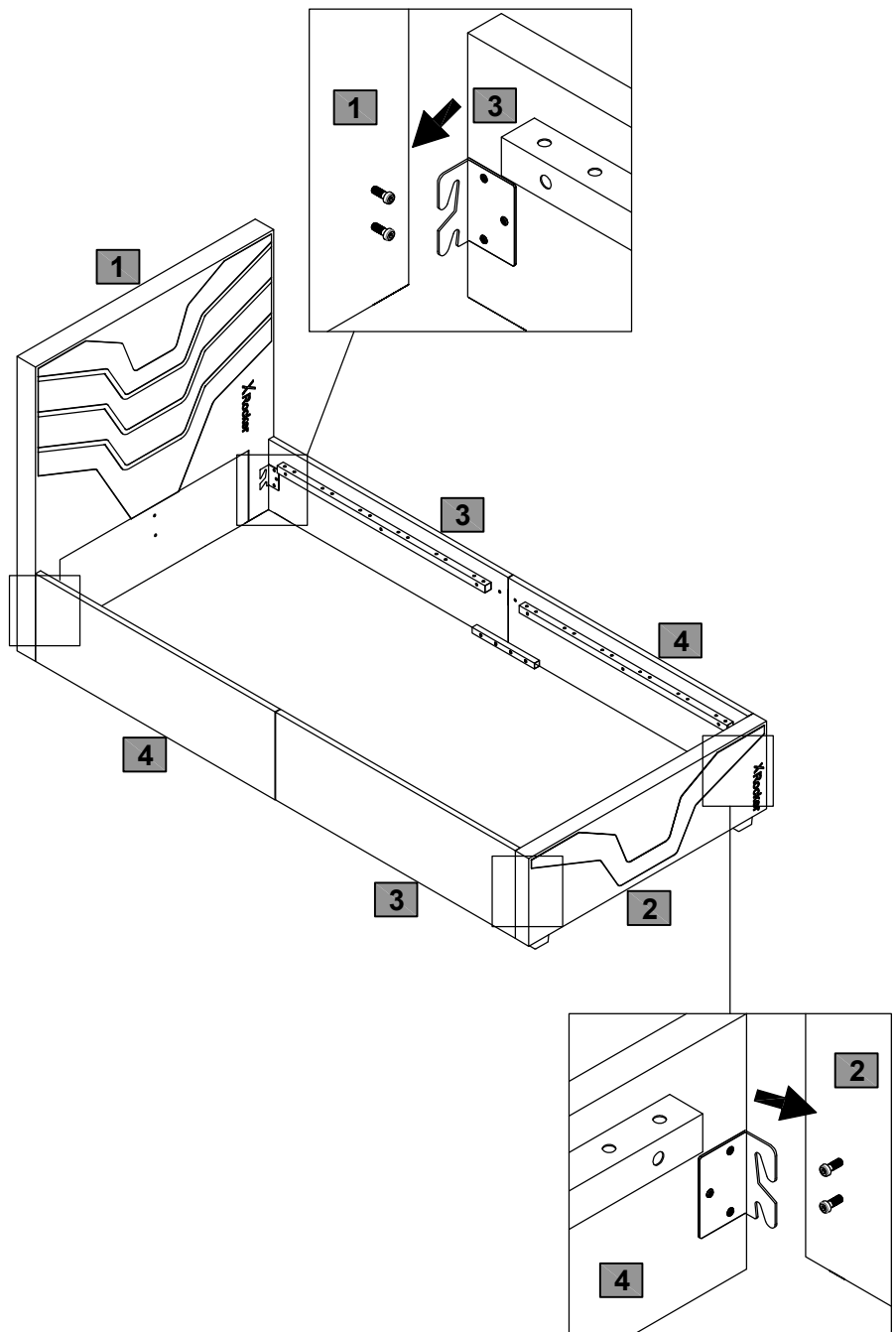


 35mm M6 Bolt	 40mm M6 Bolt	 E x1
B x8	C x12	

Assembly Instructions

Step 5

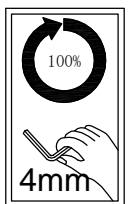
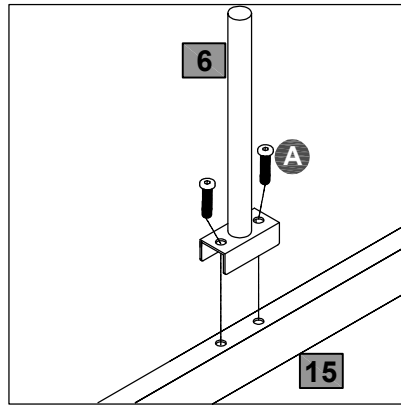
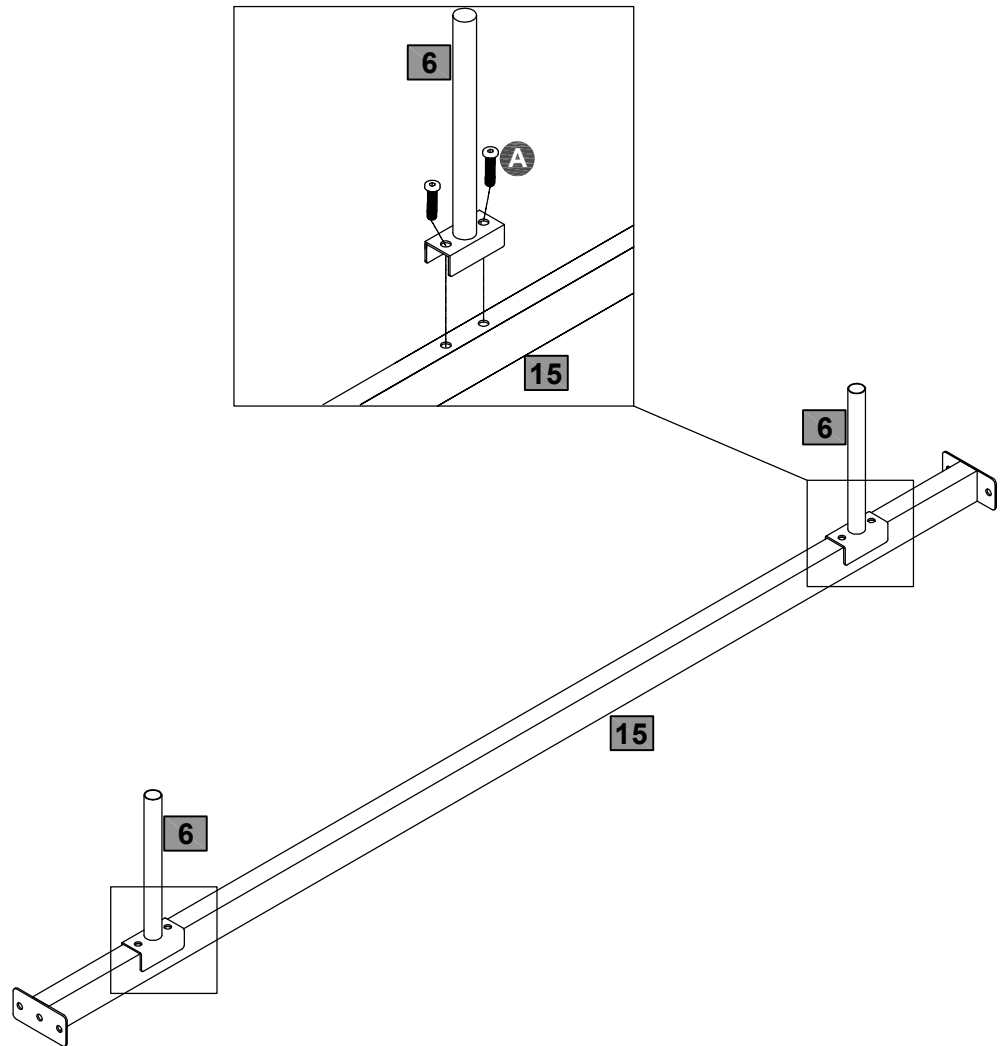
Hang sub-assembly **3** and **4** on **1** and **2** as illustrated, don't completely tighten the bolts until **STEP 8** is complete.





Assembly Instructions

Step 6

Attach **6** to **15** with **A**.

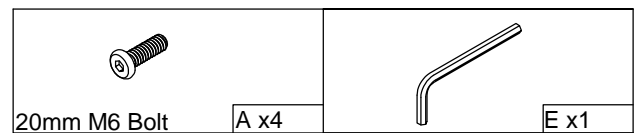
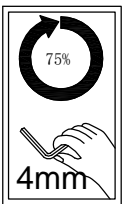
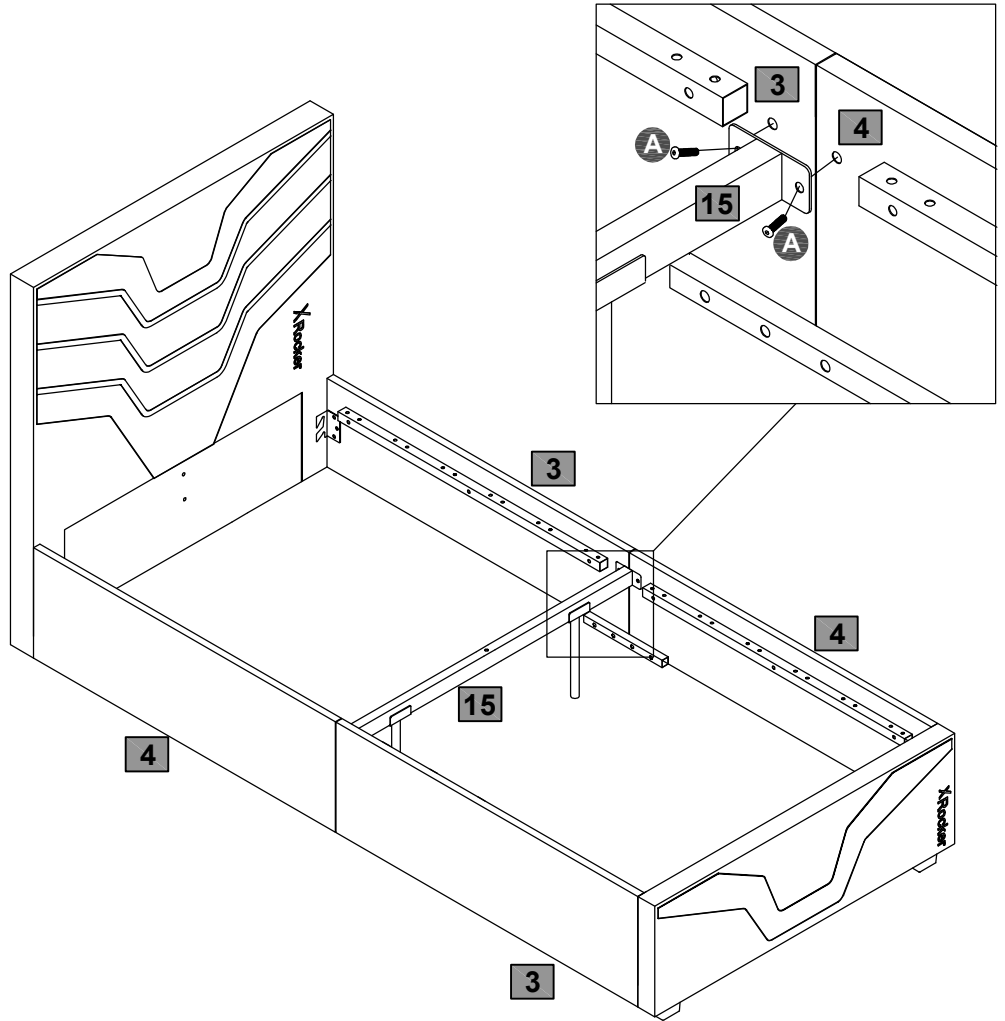


	
20mm M6 Bolt	A x4
	E x1

Assembly Instructions

Step 7

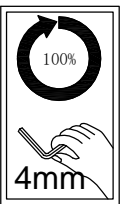
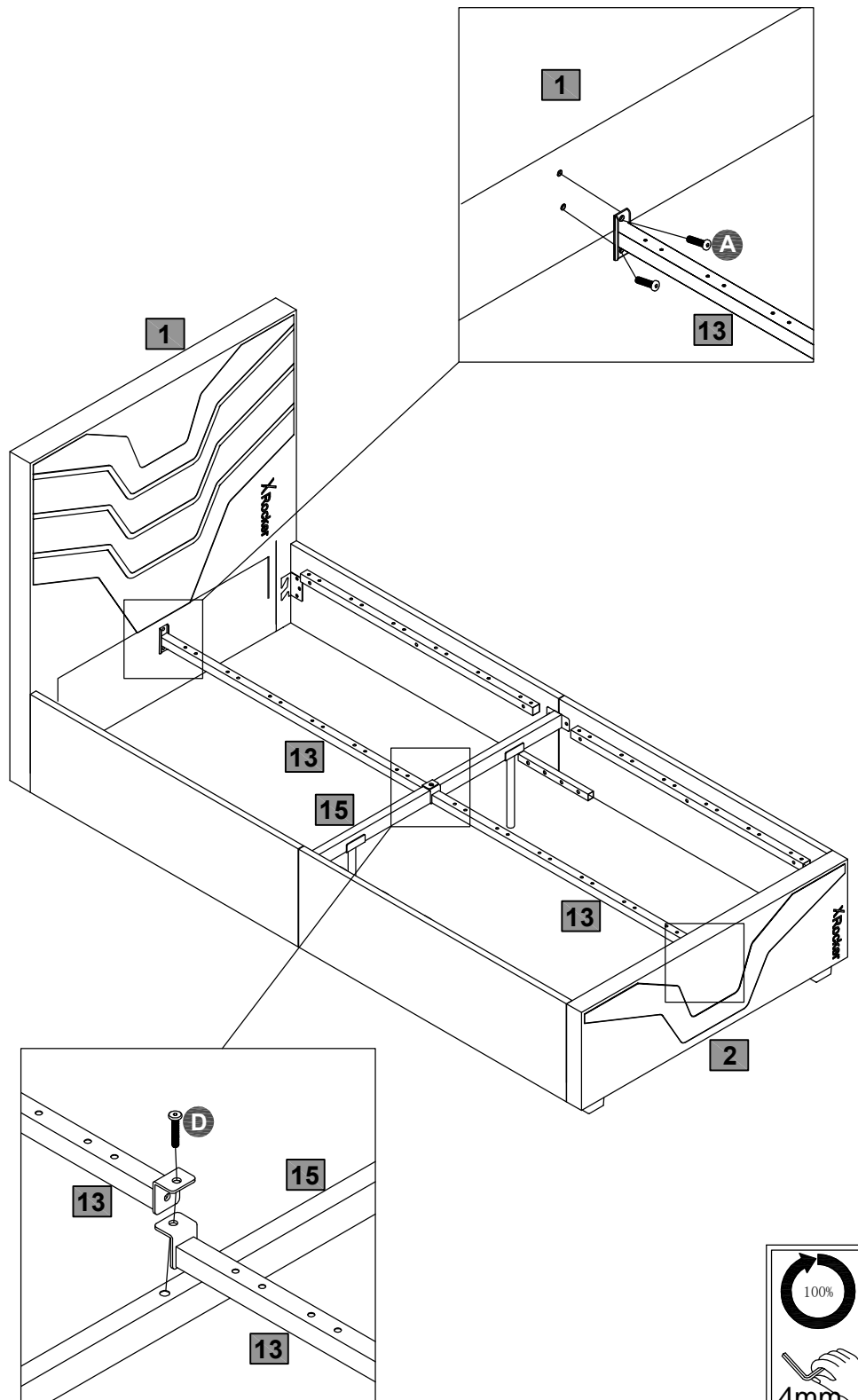
Attach **15** to **3** and **4** with **A**.

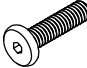




Assembly Instructions

Step 8

Attach **13** to **1** and **2** with **A**.
Attach **13** to **15** with **D**.
Then properly tighten all the bolts.



		
30mm M8 Bolt	D x1	A x4
		E x1

Assembly Instructions

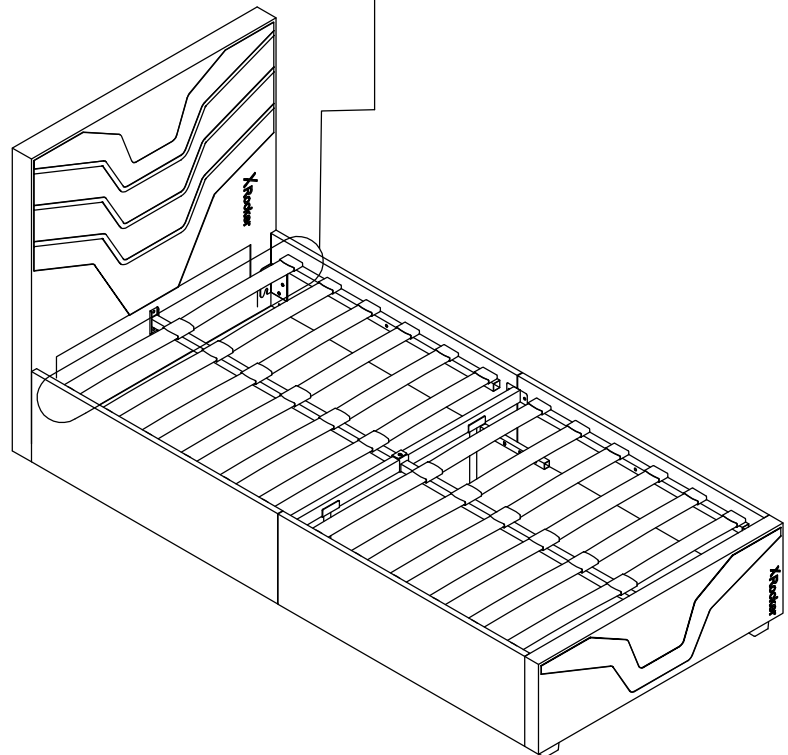
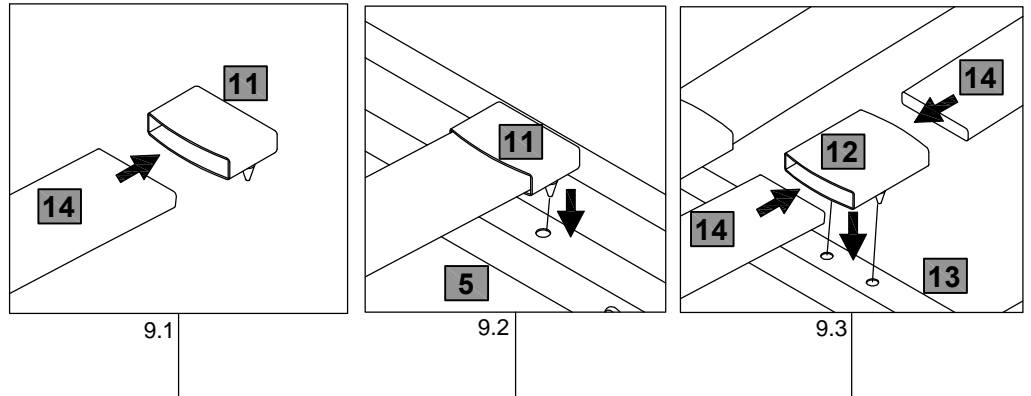
Step 9

9.1 Insert **14** into **11**,

9.2 Press **11** into **5**, repeat the same procedure for the opposite side of the bed with a new **14** and **11**.

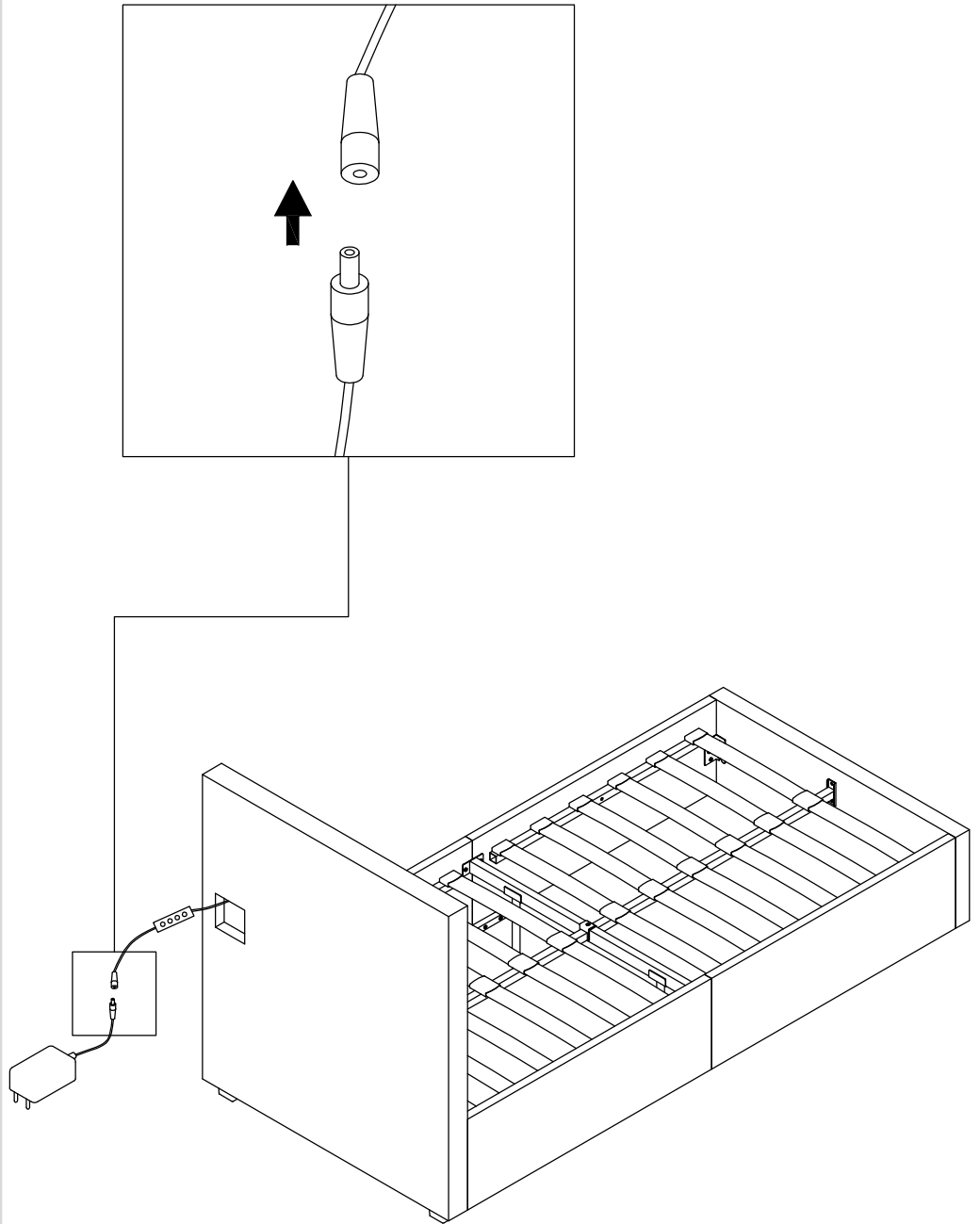
9.3 Insert ends of both slats **14** into **12**, then press **12** into **13** as illustrated.

Repeat the same procedures going backwards for every row of slats.



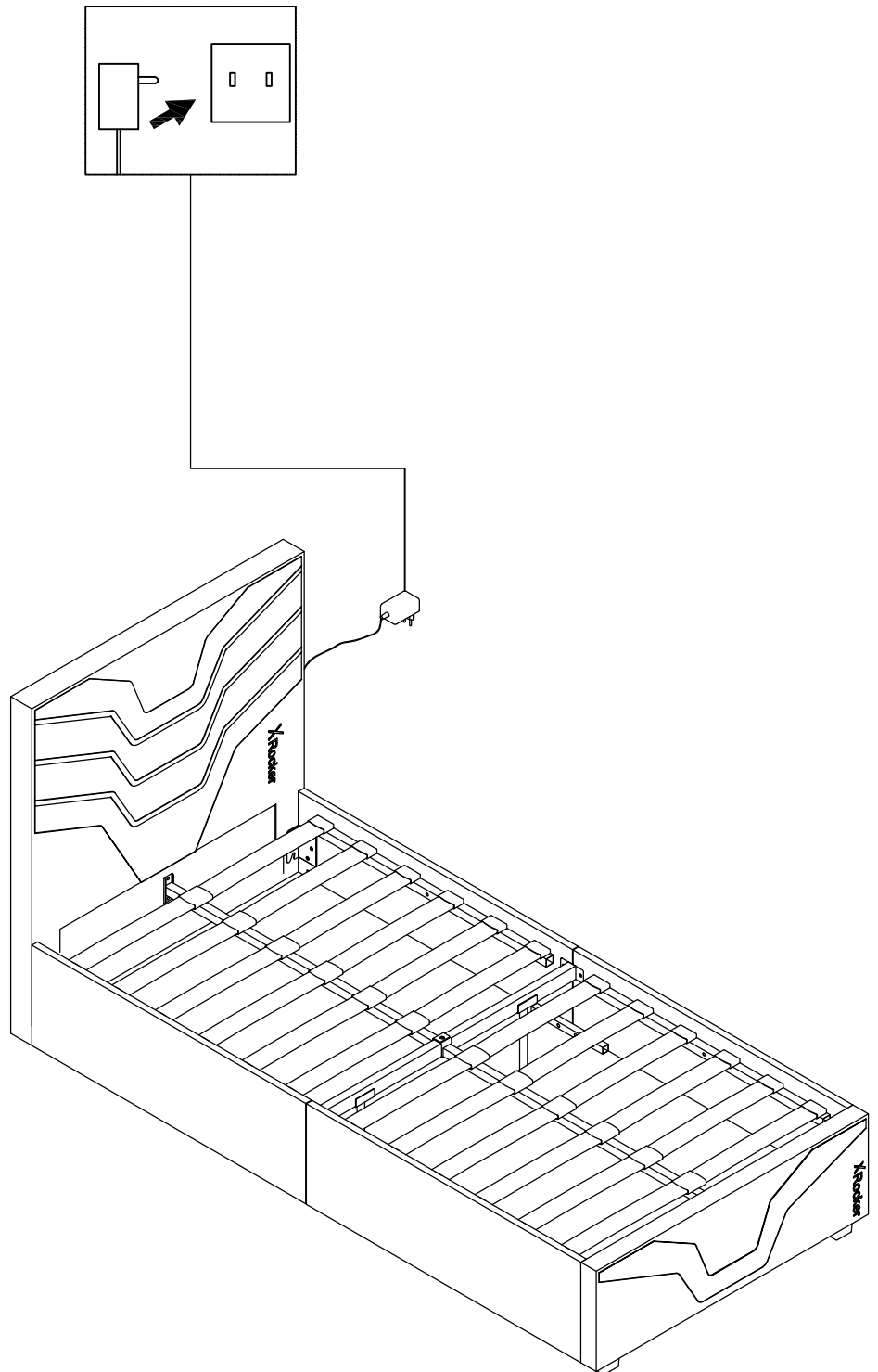
Assembly Instructions

Step 10



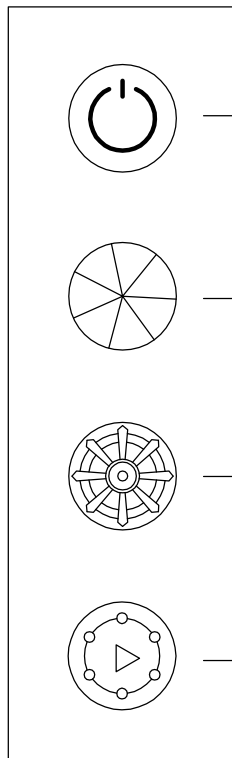
Assembly Instructions

Step 11



Assembly Instructions

Step 12



Turn on/off the strip with memory

Switch of 7 constant colors on the strip and a “7-color lit at the same time” on the strip

Switch of flash and breathing color changing modes

Switch of 4 light flow directions

a) From left to right

b) From right to left

c) From center to two sides

d) From two sides to center

RGB LED 'Neo Motion' Lighting Instructions

Safety notes

- The user of the Neo Motion LED must have read and understood these operating instructions prior to its first use in order to safely use this product.
- The LEDs must only be used when they functions properly. If the LEDs or part of the LEDs are defective, please contact your retailer for advice and cease to use the lighting function.
- Always keep the operating instructions within reach.
- If you sell or pass on the device, you must also pass on these operating instructions.
- Never use the LED function in a room where there is a danger of explosion or in the vicinity of flammable liquids or gases.
- The LEDs may only be connected to a grounded socket which has been installed professionally, is grounded and checked.
- Main power voltage and fuse must meet the Technical data specifications.
- If the power cable or the device is damaged immediately turn off the plug and pull out the plug. Do not use the Cable again and dispose of it properly.
- Do not bend, crush or pull the cable, protect from sharp edges, oil and heat.
- If the LEDs are not in use make sure the plug is pulled out.
- Do not touch the power connector with wet hands! Always unplug by pulling the connector, not the cable.
- Do not lift the bed using the cable or use the cable for purposes other than intended.
- The power cable may not be shortened.



Risk of damage to the eyes! Never look directly into the LED.



The light can only be used in dry indoor areas.



Not suitable for ordinary lighting in household room illumination

Operation

- Ensure the power adapter, controller and strip are connected well
- The LED Strip can be controlled by the buttons on the controller
 - 1 - Turn on/off the strip with memory
 - 2 - Switch of 7 constant colors on the strip and a "7-color lit at the same time" on the strip
 - 3 - Switch of flash and breathing color changing modes
 - 4 - Switch of 4 light flow directions
 - a) From left to right
 - b) From right to left
 - c) From center to two sides
 - d) From two sides to center

Storage and transport

Storing

- Store the device and any accessories in a dry, wellventilated place.
- In case of longer periods without operation, protect the LEDs and its accessories against soiling and corrosion.

Disposing of the packaging

Transport

- Use the original packaging to ship whenever possible.

Troubleshooting

If something stops working...



DANGER! Danger to life and limb! Improper repairs can result in the product functioning unsafely. This endangers yourself and your environment.



DANGER! Risk of fatal injury due to electric shock! All work to eliminate possible faults should be carried out with the fuse switched off. All work should be carried out by a qualified electrician.

Malfunctions are often caused by minor faults. You can easily remedy most of these yourself. Please consult the following table before contacting the vendor. You will save yourself a lot of trouble and possibly money too.

Fault/malfunction	Cause	Remedy
The lamp does not light up	No mains voltage?	Check fuse. Contact a specialist.
	Light source defective?	Contact our help desk for support
	LED Lights switched on via switch?	Check switch position
	Switch defective?	Contact a specialist.
	Connection cable defective?	Contact a specialist.
Incorrect connection?	Switch off the fuse and check the connection according to the wiring diagram. Contact a specialist.	

If you can't fix the fault yourself, contact X Rocker support. Please be aware that any improper repairs will also invalidate the warranty and additional costs may be incurred.

Disposal

Disposing of the device

A crossed-out wheellie bin icon means: Batteries and rechargeable batteries, electrical or electronic devices must not be disposed of with household waste. They may contain substances that are harmful to the environment and human health.



Consumers must dispose of waste electrical devices, spent portable batteries and rechargeable batteries separately from household waste at an official collection point to ensure that these items are processed correctly. Information on returning these items is available from the seller. Sellers are required to accept these items free of charge.

Batteries and rechargeable batteries, which are not permanently installed in waste electrical devices, must be removed prior to disposal and must be disposed of separately. Lithium batteries and battery packs in all systems must only be returned to a collection point when discharged. Batteries must always be protected against short circuits by covering the poles with adhesive tape.



All end users are responsible for deleting any personal data stored on waste devices prior to their disposal.

Disposal of batteries

Disused batteries do not belong in domestic refuse; they must be disposed of as prescribed by regulations.

- Bring batteries which are no longer usable to the battery collection point of the dealer or of your local authority.
- Do not burn batteries. Risk of explosion!

The packaging consists of cardboard and marked plastics that can be recycled.

– Take these materials to a recycling center.



Technical data

Article number	H3960-3.75M
Dimensions	1250 x 10 x 4mm * 3PCS
Illuminant	60 x LED/M
Rated Voltage	12V
Capacity	25W
Protection class	II
Degree of protection	IP20

EN

1. The bed can only be used with the supplied adapter. The external flexible cable of this transformer cannot be replaced. If the cord is damaged, the transformer should be discarded.
2. Do not expose the adapter to rain or moisture. Use the adapter indoors only to avoid the risk of electric shock or fire. The adapter must not be used by children or by invalids without supervision.
3. Do not disassemble the adapter. Unplug the adapter if it is not being used. Use the adapter in a ventilated room. If the adapter cable is damaged, it should be discarded.
4. Do not try to power the LEDs using your own or any other type of adaptor as doing so may result in the blowing out of the LEDs and failure to work. This will invalidate your warranty.
5. This product should be used by children from 8 years old. It is strongly advised that adults supervise all minors in the correct use of this product at all times to ensure minors are always free from harm and danger. Children should not use the device as a toy. Cleaning and user maintenance must not be carried out by children.

REMEMBER - IF YOU ARE AT ALL UNSURE OR NEED SUPPORT OR TECHNICAL ADVICE, PLEASE CONTACT X ROCKER OR YOUR RETAILER

YOU CAN ASK FOR HELP HERE:

www.xrockergaming.com/pages/support

