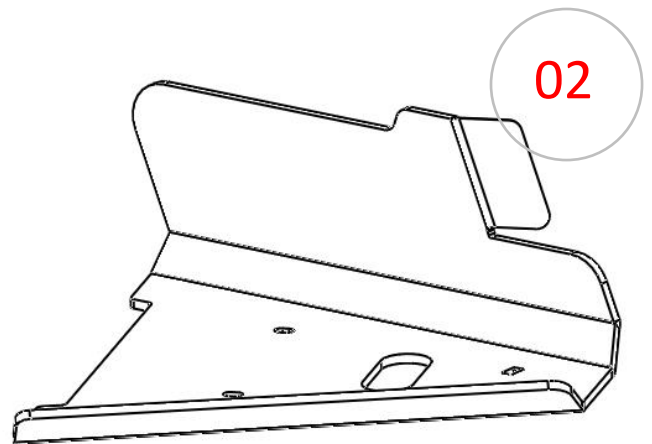
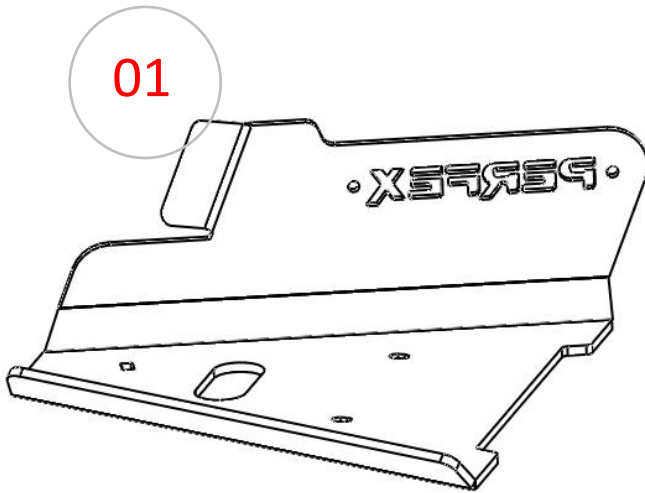




INSTALLATION INSTRUCTIONS

SKU: **SP-A090F**

FRONT A-ARM GUARDS YAMAHA KODIAK 450 (2018+)



SAFETY WARNING

Please **read and understand** all instructions and safety warning prior to install the product. Failure to do so could result in product damage, personal injury or even death.

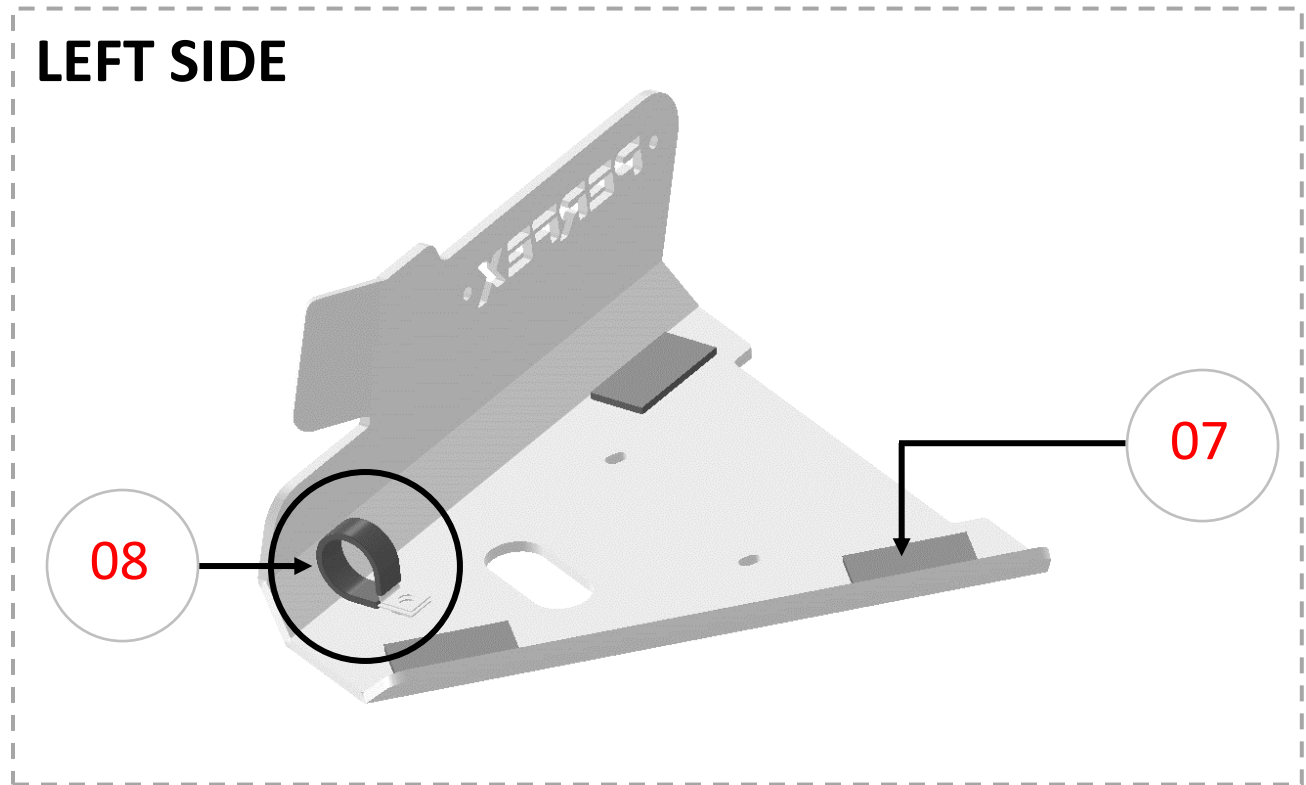
- Stay alert! Watch what you are doing and use common sense while handling this product.
- Inspect product for damage prior to installation, do not use if product is in unsafe condition.
- Do not install product while under the influence of drugs, alcohol or medication.
- Always use safety equipment to prevent injuries. Approved face and eye protection must always be worn by the installer, as well as others in the work area.
- Do not over reach. Keep proper footing and balance at all times.
- Dress properly. Do not wear loose clothing or jewelry. Keep your hair, clothing and gloves away from moving parts.
- Keep your work area clean and well lit.

Item	Part No.	Description	Qty.
COMPONENTS			
Those items are shown on the first page.			
01	A090-01	Front Left Aluminum A-arm Guard	1
02	A090-02	Front Right Aluminum A-arm Guard	1
HARDWARE			
Those items are included with each kit to install components.			
03	A-1005	M6 Flat Fender Washer	4
04	A-1505	M6-1.00 Flange Lock Nut	6
05	A-2609	M6-1.00 x 30mm Hex Flange Bolt	4
06	A-2658	M6-1.00 x 20mm Carriage Bolt	2
07	A-4001	Rubber Strip / Adhesive Back, 1x2" x 1/8" Thick	6
08	A-4014	1" Rubber Clamp / 0.281-hole dia.	2
09	B-5206	12mm ID. x 11/16" OD. x 3/8" Lg. Bushing	4

INSTALLATION INSTRUCTIONS

PREPARATION

- Using a jack under center of front end, lift until the front wheels leave the ground.
- Remove the wheels.
- Stick the rubber strips on the new PERFEX A-arm guards. **See schema below.**
- Put the rubber clamps on the suspension arms. **Refer to the schema below.**



INSTALLATION

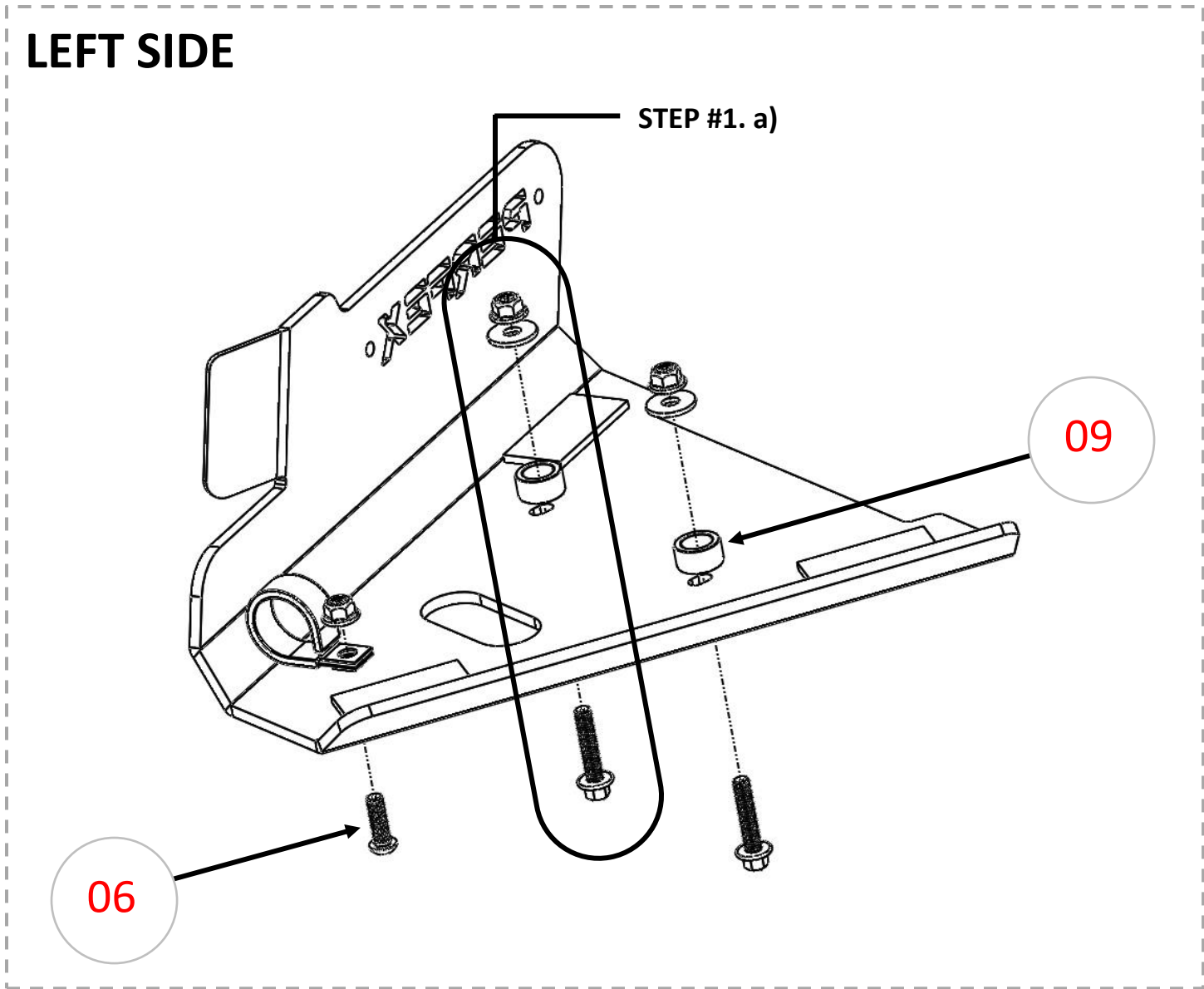
1. Install the guards to the suspension A-arms, using the indications below. **Refer to the schema and image on the next page.**
 - a) (2x) M6x30mm bolts, (2x) 3/8" spacers, (2x) M6 washers and (2x) M6 lock nuts.
NOTE: Put the spacers between the guard and the A-arm.
 - b) (1x) M6x20mm carriage bolt and (1x) M6 lock nut.
NOTE: Use the rubber clamp at this step.
2. Tight all the hardware once the guards are correctly installed.
3. Put the wheels back on the ATV. Torque all lugs to factory specification.
NOTE: Check that the a-arm guards will clear the others components of the ATV. Re-adjust the guards if it's necessary.

LEFT SIDE

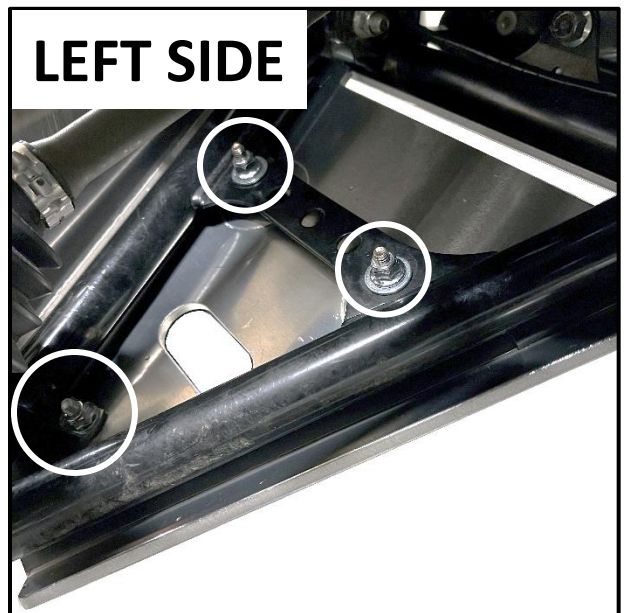
STEP #1. a)

09

06



LEFT SIDE

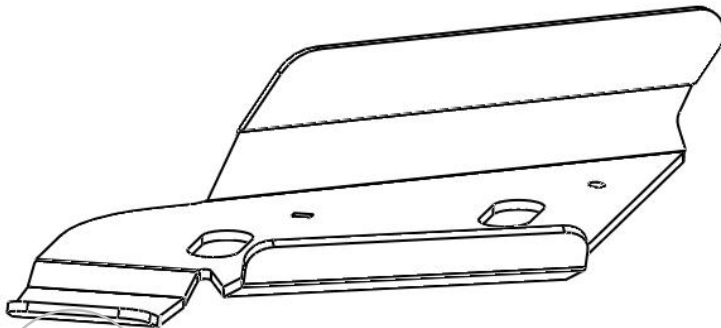




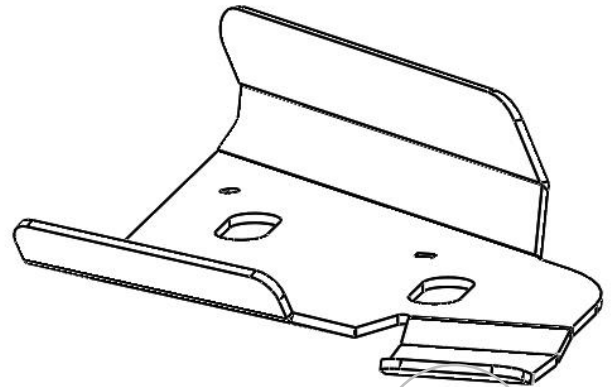
INSTALLATION INSTRUCTIONS

SKU: **SP-A090R**

REAR A-ARM GUARDS YAMAHA KODIAK 450 (2018+)



01



02

SAFETY WARNING

Please **read and understand** all instructions and safety warning prior to install the product. Failure to do so could result in product damage, personal injury or even death.

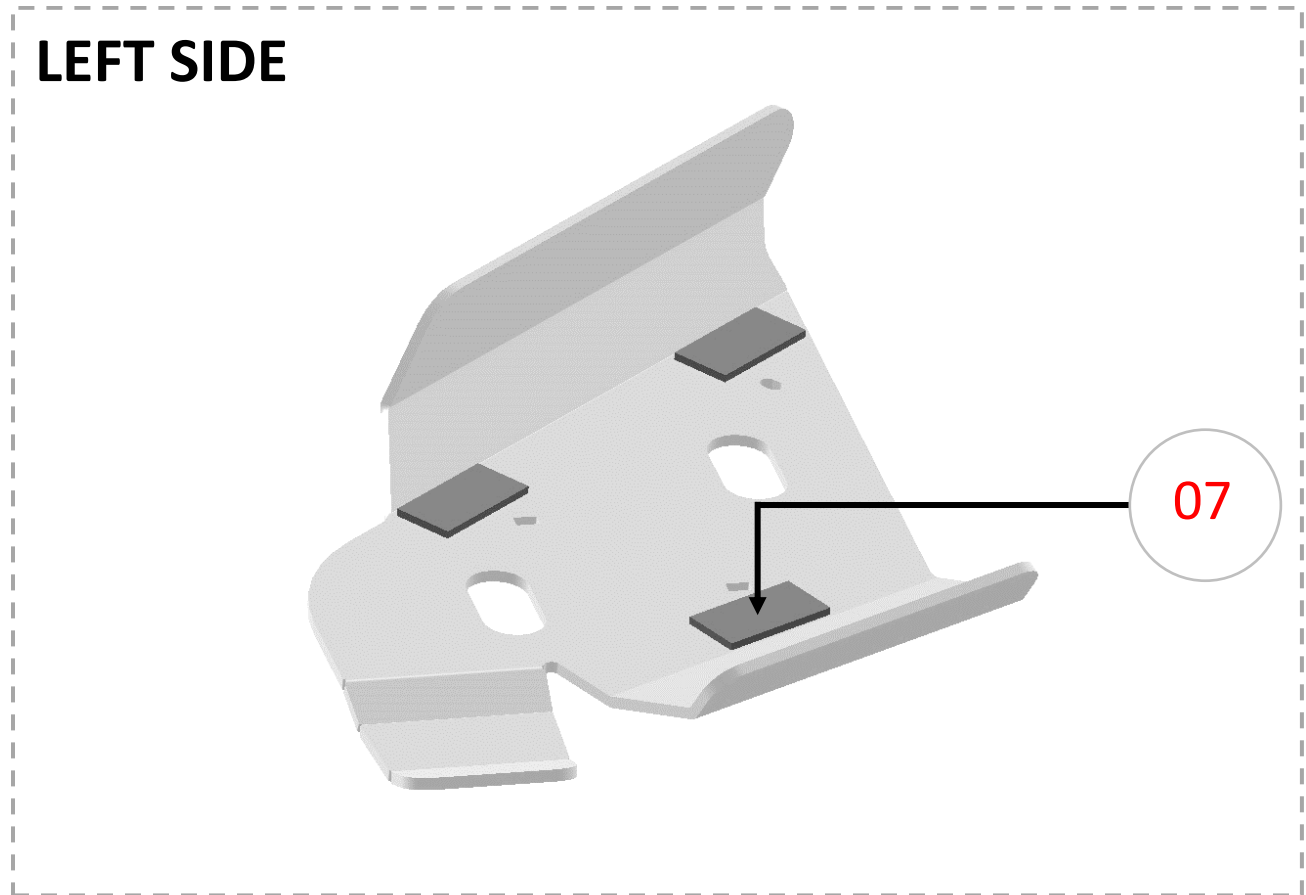
- Stay alert! Watch what you are doing and use common sense while handling this product.
- Inspect product for damage prior to installation, do not use if product is in unsafe condition.
- Do not install product while under the influence of drugs, alcohol or medication.
- Always use safety equipment to prevent injuries. Approved face and eye protection must always be worn by the installer, as well as others in the work area.
- Do not over reach. Keep proper footing and balance at all times.
- Dress properly. Do not wear loose clothing or jewelry. Keep your hair, clothing and gloves away from moving parts.
- Keep your work area clean and well lit.

Item	Part No.	Description	Qty.
COMPONENTS			
Those items are shown on the first page.			
01	A090-03	Rear Left Aluminum A-arm Guard	1
02	A090-04	Rear Right Aluminum A-arm Guard	1
HARDWARE			
Those items are included with each kit to install components.			
03	A-1005	M6 Flat Fender Washer	4
04	A-1505	M6-1.00 Flange Lock Nut	4
05	A-2605	M6-1.00 x 20mm Hex Flange Bolt	2
06	A-2682	M6-1.00 x 50mm Carriage Bolt	4
07	A-4001	Rubber Strip / Adhesive Back, 1x2" x 1/8" Thick	6
08	A-4026	1-1/8" Steel Clamp / M6-1.00 Nut	2

INSTALLATION INSTRUCTIONS

PREPARATION

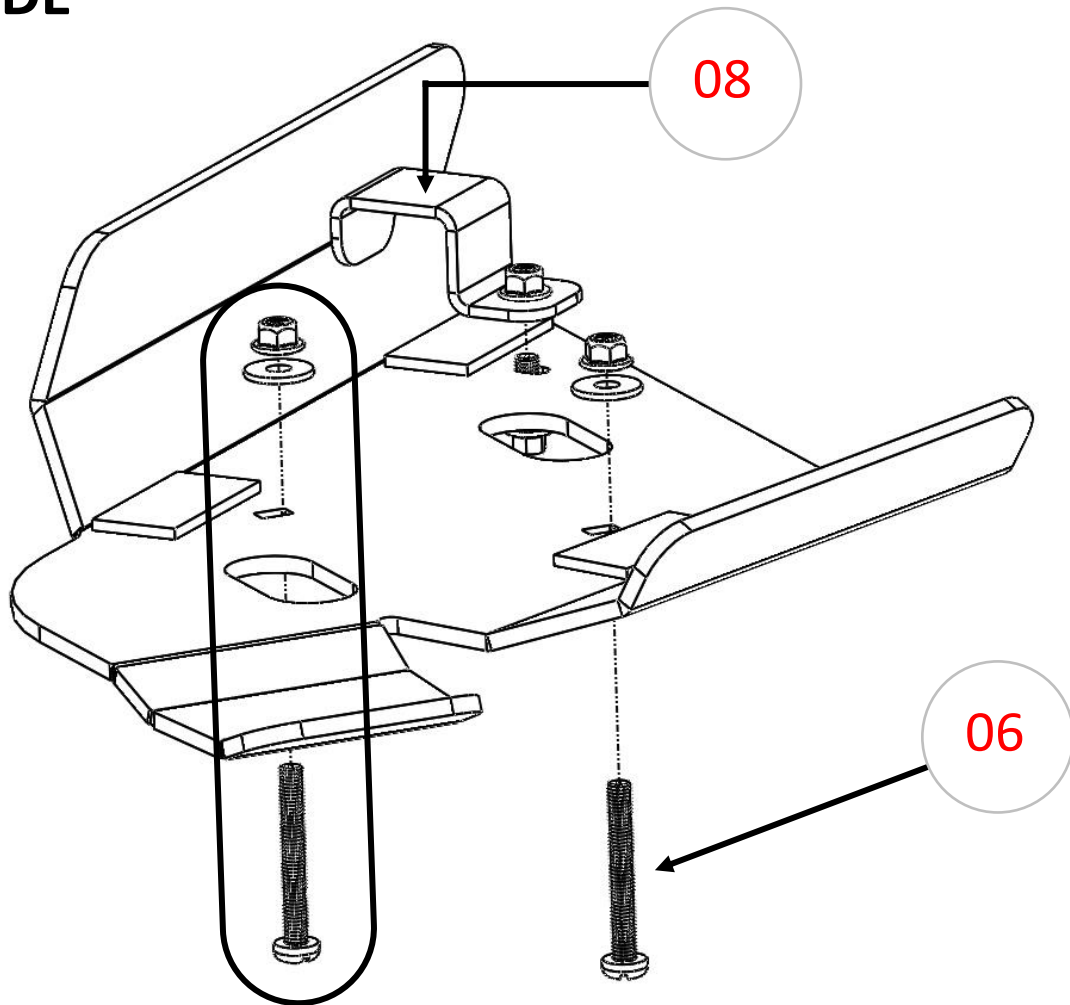
- Using a jack under center of rear end, lift until the rear wheels leave the ground.
- Remove the wheels.
- Stick the rubber strips on the new PERFEX A-arm guards. **See schema below.**



INSTALLATION

4. Install the guards to the suspension A-arms, using the indications below. **Refer to the schema and image on the next page.**
 - a) **(2x)** M6x50mm carriage bolts, **(2x)** M6 washers and **(2x)** M6 lock nuts.
 - b) **(1x)** M6x20mm bolt and **(1x)** steel clamp.
5. Tight all the hardware once the guards are correctly installed.
6. Put the wheels back on the ATV. Torque all lugs to factory specification.
NOTE: Check that the a-arm guards will clear the others components of the ATV. Re-adjust the guards if it's necessary.

LEFT SIDE



STEP #1. a)

