

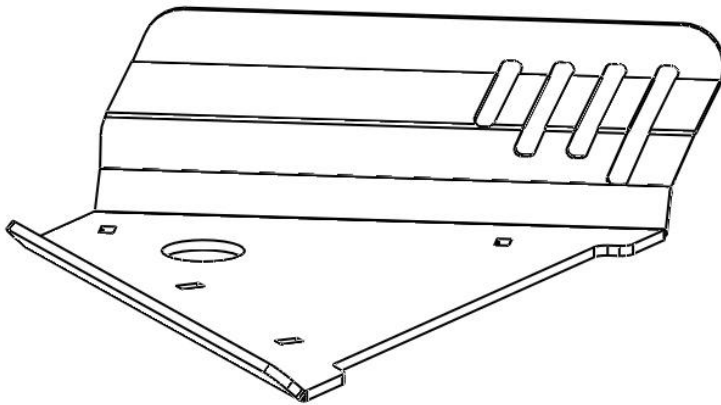


INSTALLATION INSTRUCTIONS

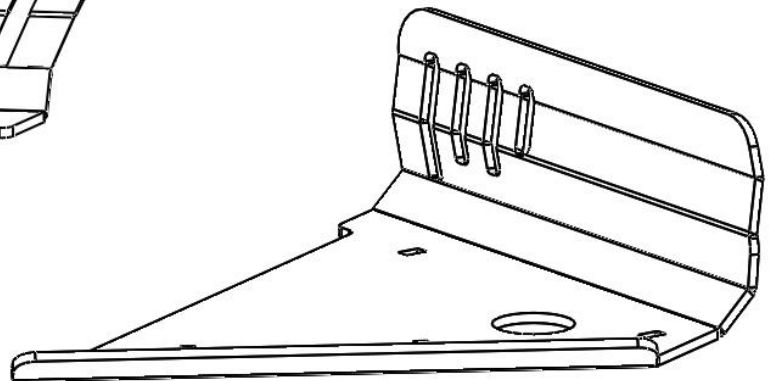
SKU: **SP-A070F**

FRONT A-ARM GUARDS CAN-AM OUTLANDER/RENEGADE G2 (2017-18)

01



02



SAFETY WARNING

Please **read and understand** all instructions and safety warning prior to install the product. Failure to do so could result in product damage, personal injury or even death.

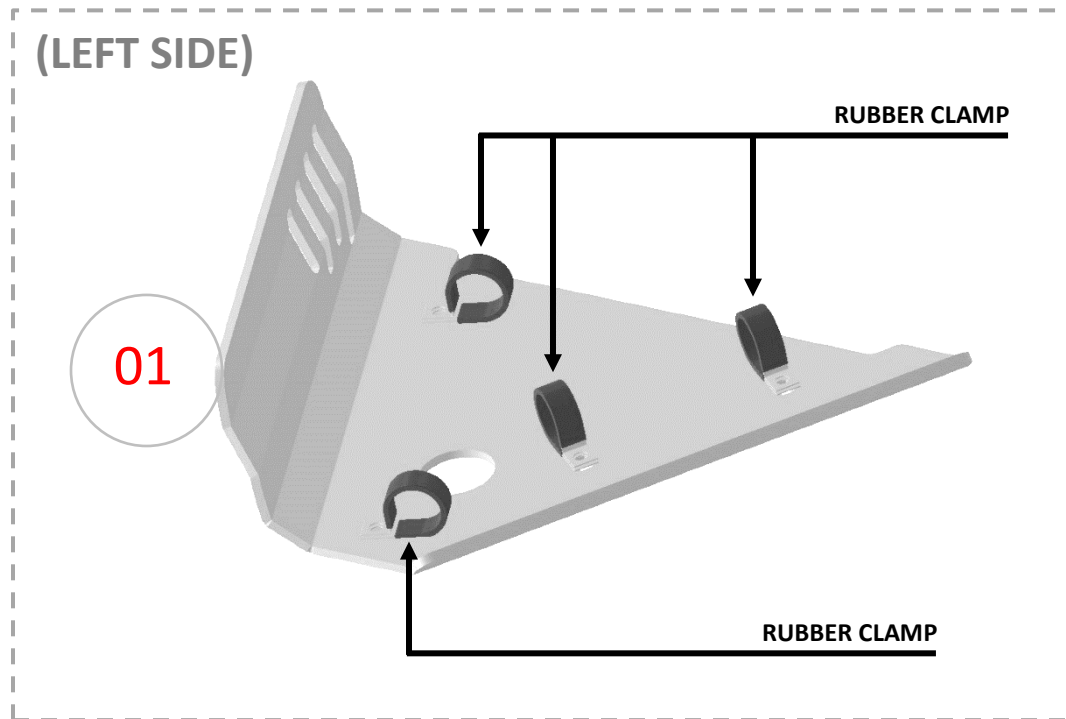
- Stay alert! Watch what you are doing and use common sense while handling this product.
- Inspect product for damage prior to installation, do not use if product is in unsafe condition.
- Do not install product while under the influence of drugs, alcohol or medication.
- Always use safety equipment to prevent injuries. Approved face and eye protection must always be worn by the installer, as well as others in the work area.
- Do not over reach. Keep proper footing and balance at all times.
- Dress properly. Do not wear loose clothing or jewelry. Keep your hair, clothing and gloves away from moving parts.
- Keep your work area clean and well lit.

Item	Part No.	Description	Qty.
COMPONENTS			
Those items are shown on the first page.			
01	A040-01	Front Left Aluminum A-arm Guard	1
02	A040-02	Front Right Aluminum A-arm Guard	1
HARDWARE			
Those items are included with each kit to install components.			
03	A-1505	M6-1.00 Flange Lock Nut	8
04	A-2658	M6-1.00 x 20mm Carriage Bolt	8
05	A-4014	1" Rubber Clamp / 0.281-hole dia.	8

INSTALLATION INSTRUCTIONS

PREPARATION

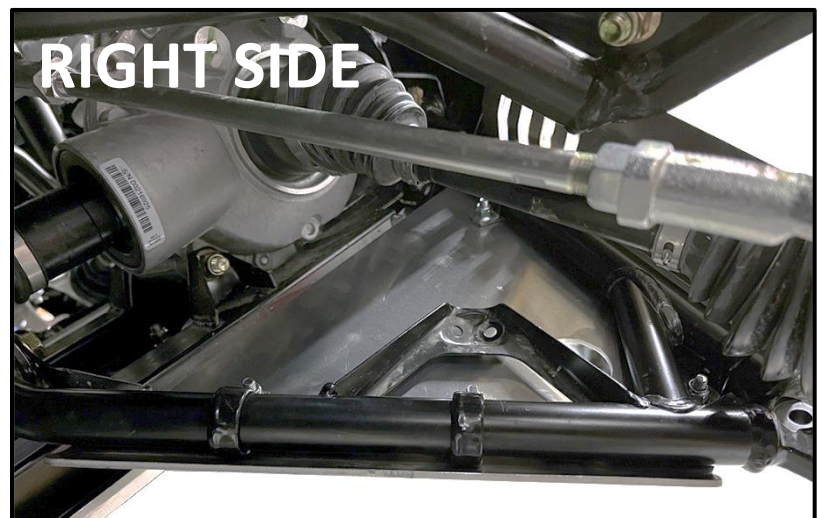
- Using a jack under center of front end, lift until the front wheels leave the ground.
- Remove the wheels.
- Remove both factory plastic A-arm guards.
- Using the image below as a guide, insert and pinch the rubber clamps on the a-arm, on each side.



INSTALLATION

1. Install the guards to the suspension arms. Use the M6x20mm carriage bolts and the M6 lock nuts to secure the guards to the rubber clamps mounted on the suspension arms.
2. Tight all the hardware appropriately once the guards are correctly installed.
3. Put the wheels back on the ATV. Torque all lugs to factory specification.

NOTE: Be sure that the a-arm guards will clear the others components of the suspension. Re-adjust the guards if it's necessary.

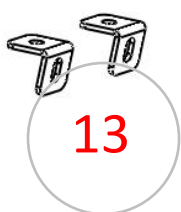
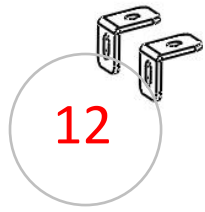
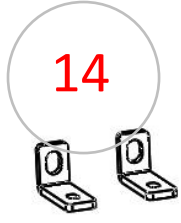
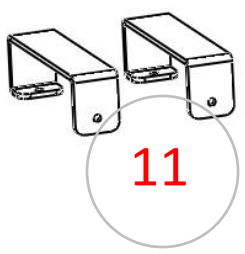
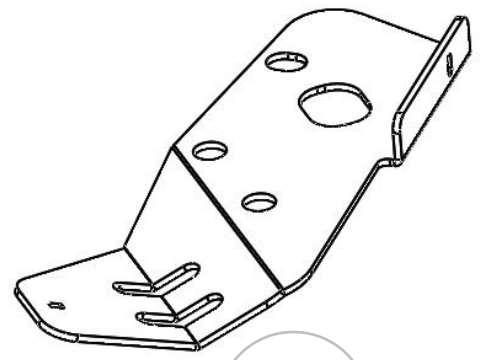
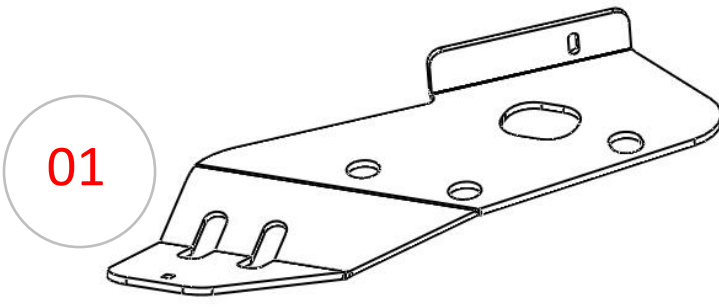




INSTALLATION INSTRUCTIONS

SKU: **SP-A070R**

REAR A-ARM GUARDS CAN-AM OUTLANDER/RENEGADE G2 (2017-18)



SAFETY WARNING

Please **read and understand** all instructions and safety warning prior to install the product. Failure to do so could result in product damage, personal injury or even death.

- Stay alert! Watch what you are doing and use common sense while handling this product.
- Inspect product for damage prior to installation, do not use if product is in unsafe condition.
- Do not install product while under the influence of drugs, alcohol or medication.
- Always use safety equipment to prevent injuries. Approved face and eye protection must always be worn by the installer, as well as others in the work area.
- Do not over reach. Keep proper footing and balance at all times.
- Dress properly. Do not wear loose clothing or jewelry. Keep your hair, clothing and gloves away from moving parts.
- Keep your work area clean and well lit.

Item	Part No.	Description	Qty.
COMPONENTS			
Those items are shown on the first page.			
01	A070-03	Rear Left Aluminum A-arm Guard	1
02	A070-04	Rear Right Aluminum A-arm Guard	1
HARDWARE			
Those items are included with each kit to install components.			
03	A-1005	M6 Flat Fender Washer	2
04	A-1205	M6 Cup Washer	6
05	A-1505	M6-1.00 Flange Lock Nut	2
06	A-1509	M10-1.50 Flange Lock Nut	1
07	A-2600	M6-1.00 x 12mm Hex Bolt	2
08	A-2605	M6-1.00 x 20mm Hex Flange Bolt	6
09	A-2658	M6-1.00 x 20mm Carriage Bolt	2
10	A-3006	M10-1.50 x 25mm Hex Bolt	2
11	B-5607	Bracket	2
12	B-5608	Mounting clamp	2
13	B-5609	Mounting clamp	2
14	B-5610	Mounting clamp	2

INSTALLATION INSTRUCTIONS

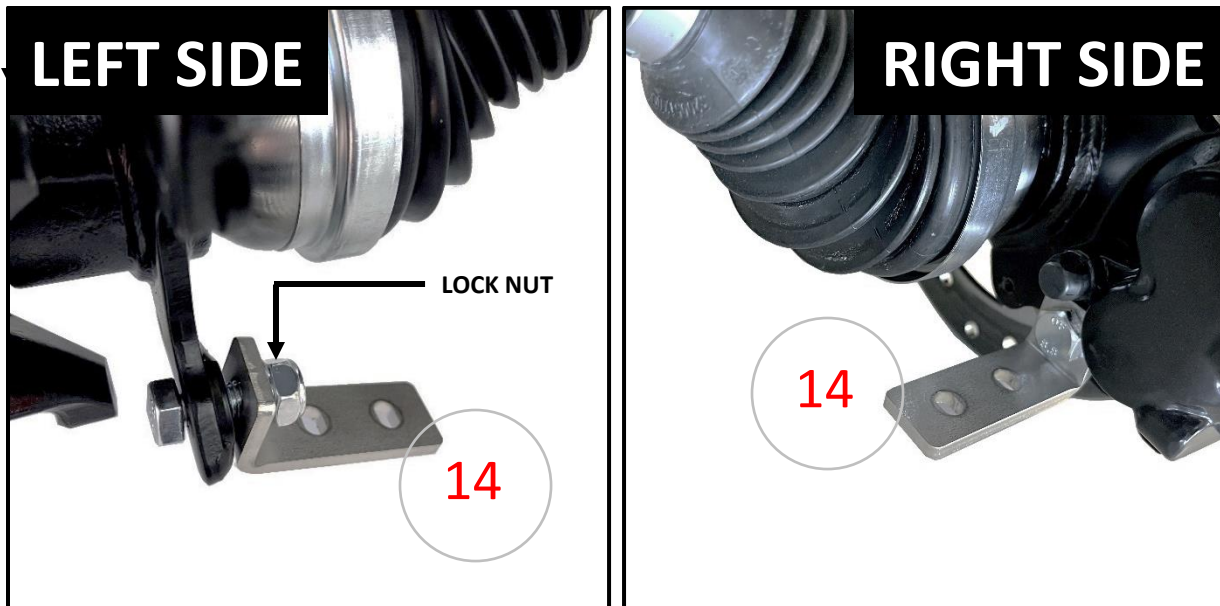
PREPARATION

- Using a jack under center of rear end, lift until the rear wheels leave the ground.
- Remove the wheels.
- Remove both factory plastic A-arm guards.

INSTALLATION (refer to the diagram on the next page)

4. Install the clamps (item 14) to the suspension arms. Use the M10x25mm hex bolts and the M10 lock nut. See image below.

NOTE: The bolt on the right side will be bolted into the brake caliper (no lock nut on the right side).



5. Install the clamps (item 12 & 13) to the suspension shock mounts, using factory hardware/bushing.
NOTE: Install the bracket outside of the shock mount, not inside. Refer to the diagram on the next page.
6. Install the new guards to the suspension arms, using the brackets (item 11).
 - a) Use M6x12mm hex bolts with M6 washers.
 - b) Use M6x20mm hex bolts with M6 cup washers.
7. Secure the guards to the clamps.
 - a) Clamp item 12: Use M6x20mm hex bolts with M6 cup washers.
 - b) Clamp item 13: Use M6x20mm hex bolts with M6 cup washers.
 - c) Clamp item 14: Use M6x20mm carriage bolts with M6 lock nuts.
8. Tight all the hardware once the guards are correctly installed & adjusted.
 - Use a 10mm wrench and socket for the M6 hardware.
 - Use a 15mm and 17mm wrench and socket for the M10 hardware.
9. Put the wheels back on the ATV. Torque all lugs to factory specification.
NOTE: Check that the a-arm guards will clear the others components of the ATV. Re-adjust the guards if it's necessary.

